

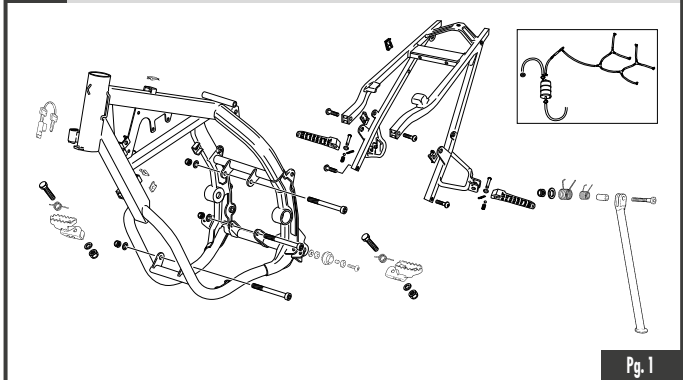
SHERCO



SPARE PARTS BOOK '24

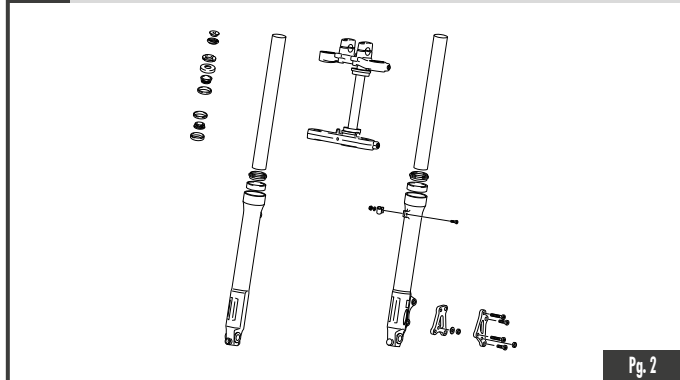
50 R

1 Cadre / Frame / Chasis



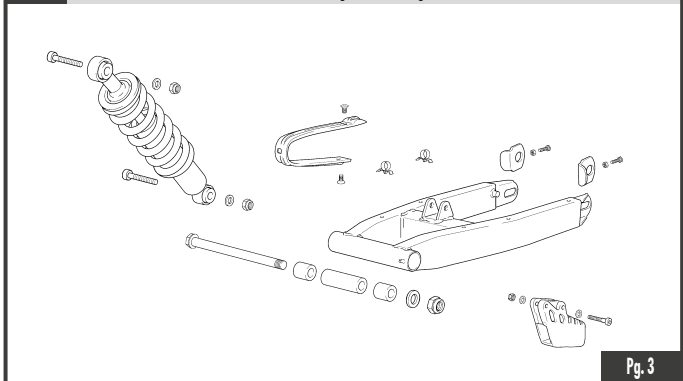
Pg. 1

2 Fourche / Fork / Horquilla



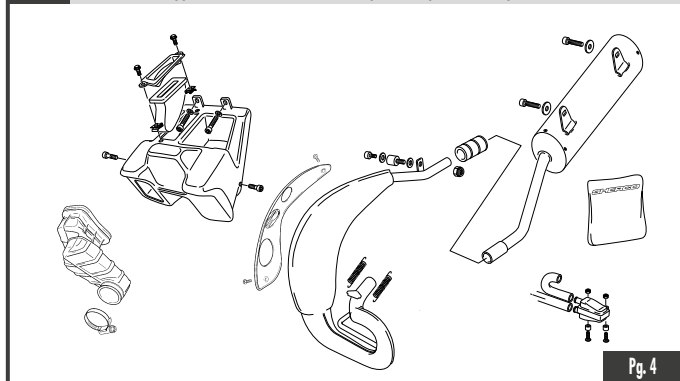
Pg. 2

3 Amortisseur - Bras oscillant / Rear Shock - Swingarm / Amortiguador - Basculante



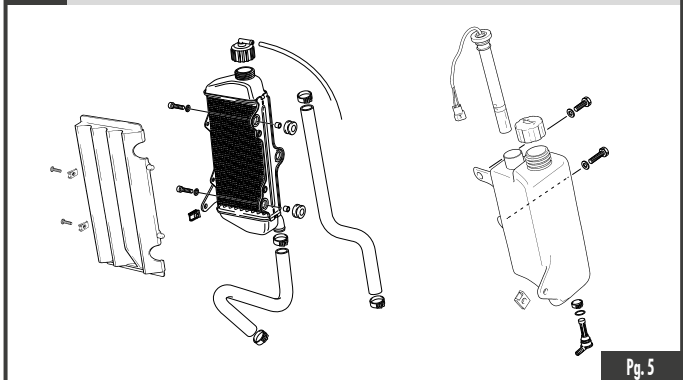
Pg. 3

4 Boîte filtre - échappement / Air filter box - exhaust system / Caja filtro - escape



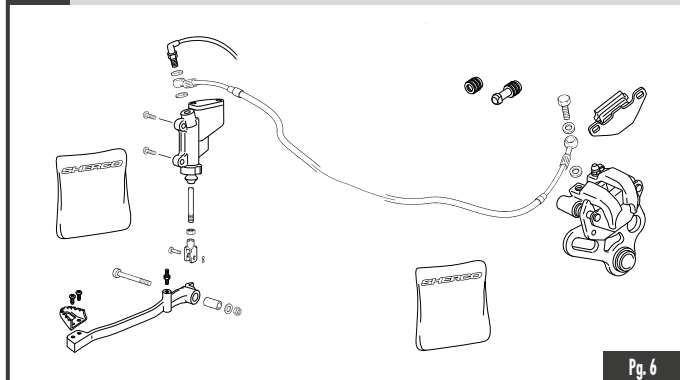
Pg. 4

5 Radiateur / Radiator / Radiador



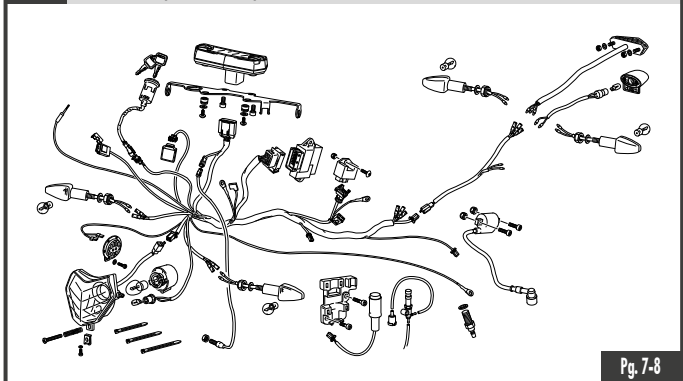
Pg. 5

6 Frein arrière / Rear brake / Freno trasero



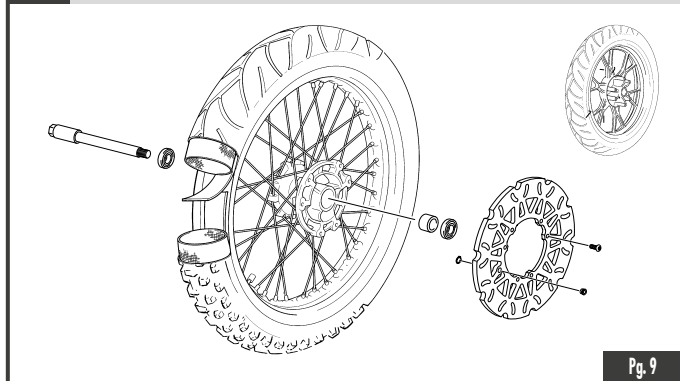
Pg. 6

7 Faisceau électrique / Electrical system / Instalación eléctrica



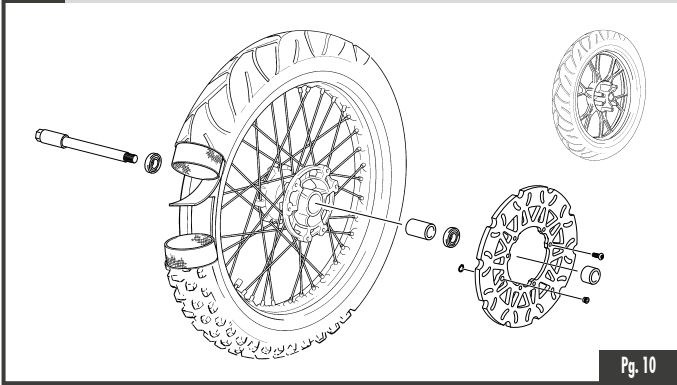
Pg. 7-8

8 Roue avant / Front wheel / Rueda delantera



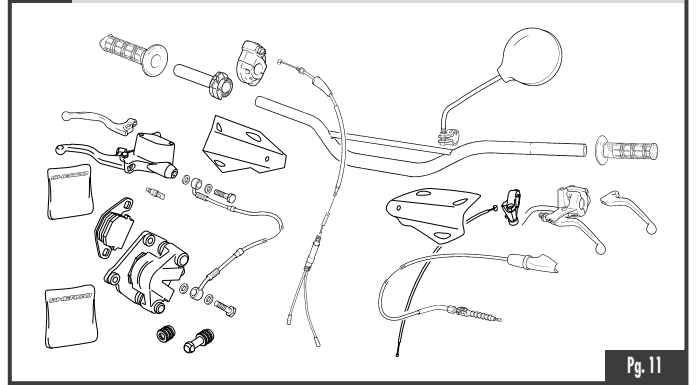
Pg. 9

9 Roue arrière / Rear wheel / Rueda trasera



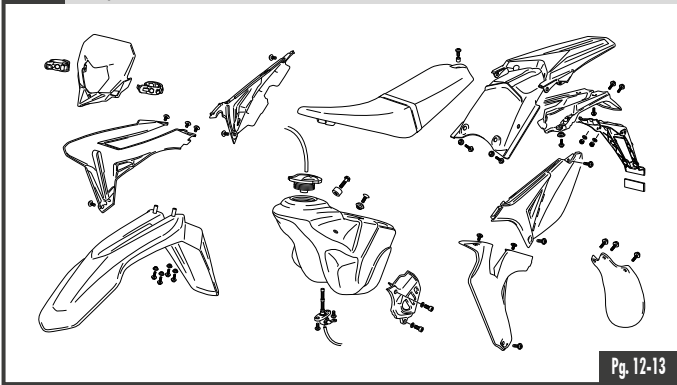
Pg. 10

10 Guidon / Handlebar / Manillar



Pg. 11

11 Plastiques / Plastics / Plásticos



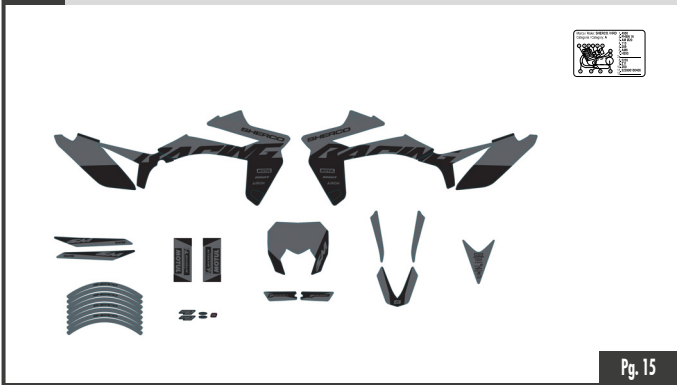
Pg. 12-13

12 Adhésif FACTORY / Sticker FACTORY / Adhesivo FACTORY



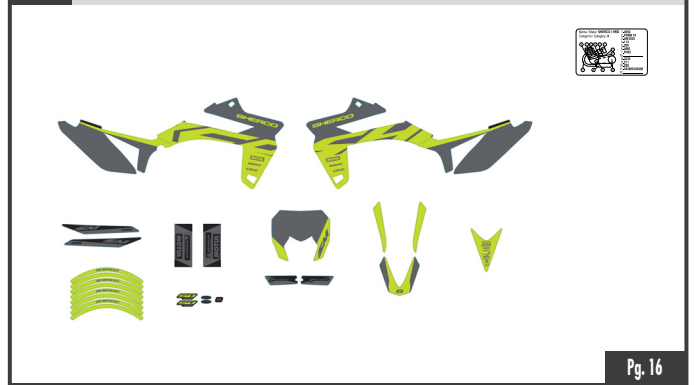
Pg. 14

13 Adhésif BLACK MOON / Sticker BLACK MOON / Adhesivo BLACK MOON



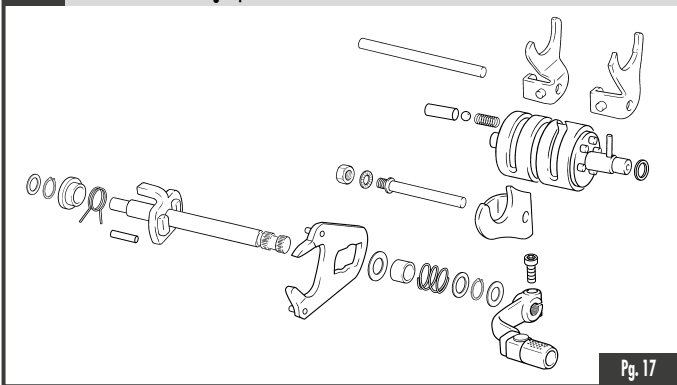
Pg. 15

14 Adhésif SILVER / Sticker SILVER / Adhesivo SILVER



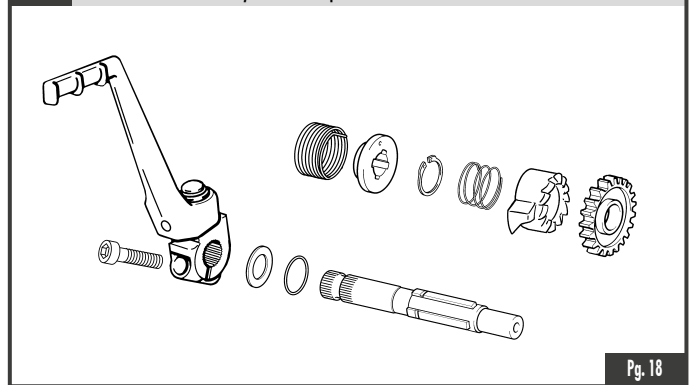
Pg. 16

15 Selecteur / Gear selector group / Selector cambio



Pg. 17

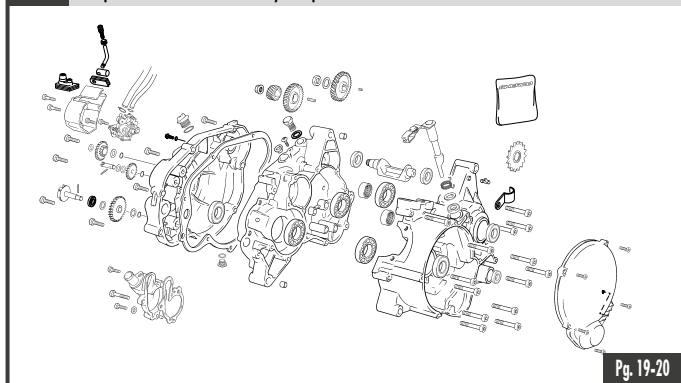
16 Lanceur / Kickstarter assembly / Pedal arranque



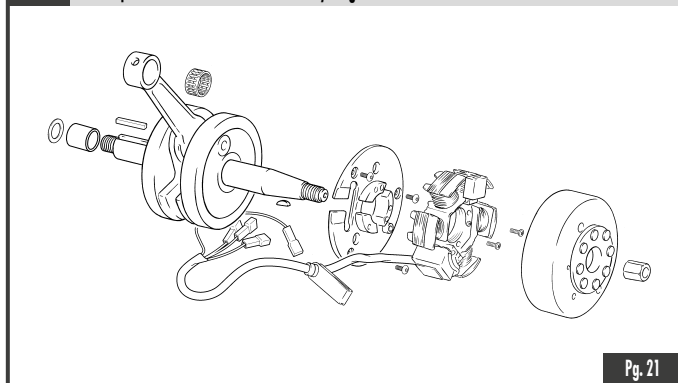
Pg. 18

*Sherco se réserve les droits de modification des références, merci de contrôler sur le portail Sherconetwork avant toute commande. - *Sherco reserves the right to make change on the references, please check on your Sherconetwork portal before ordering.
 *Sherco se reserva el derecho para hacer modificaciones sobre las referencias. Por favor, verifica en el Sherconetwork antes de hacer un pedido.

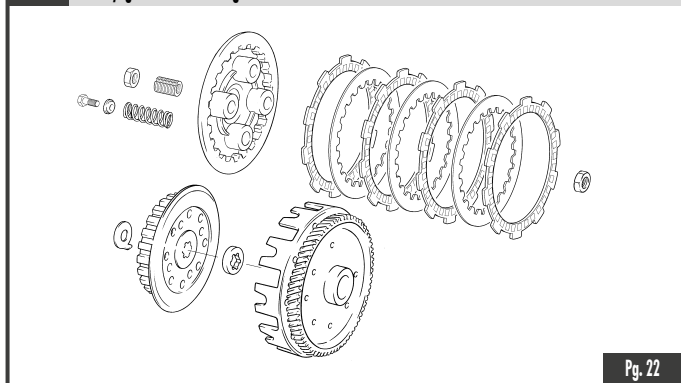
17 Groupe carter / Crankcase assembly / Grupo carter



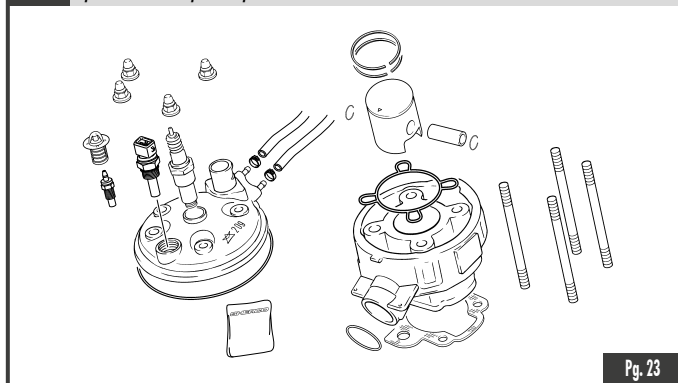
18 Vilebrequin assemble / Crankshaft assembly / Cigüeñal biela



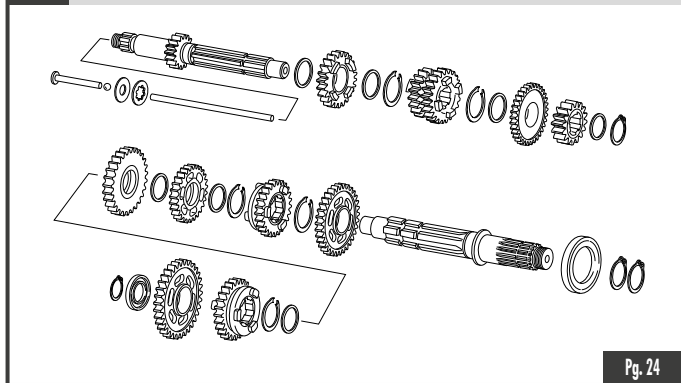
19 Embrayage / Clutch / Embrague



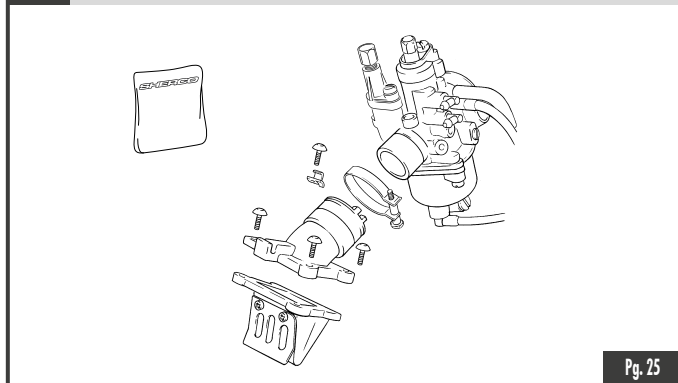
20 Cylindre-Culasse / Cylinder-Cylinder head / Cilindro-Culata



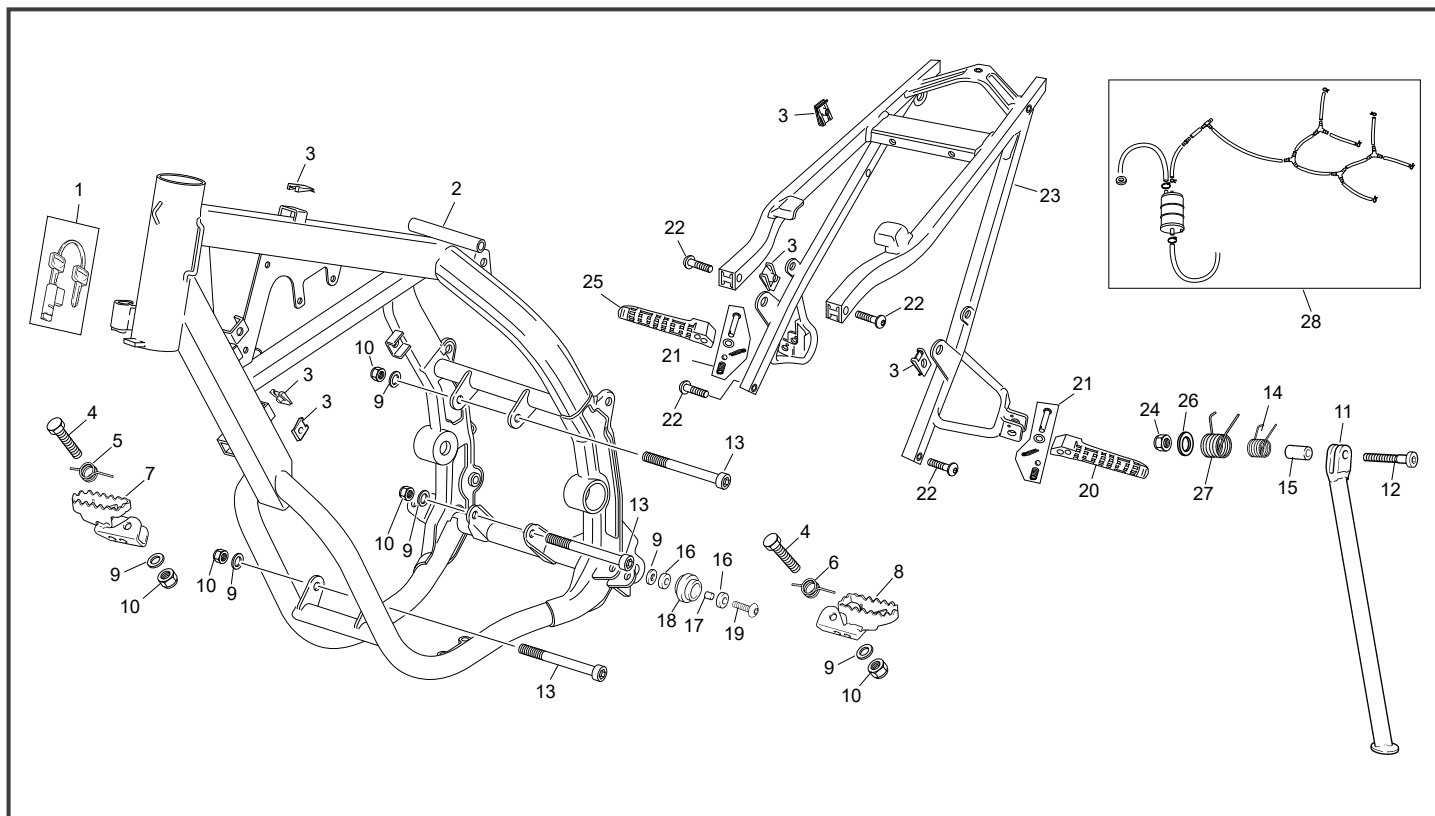
21 Boite a vitesses / Gear set / Cambio



22 Carburateur / Carburetor / Carburador

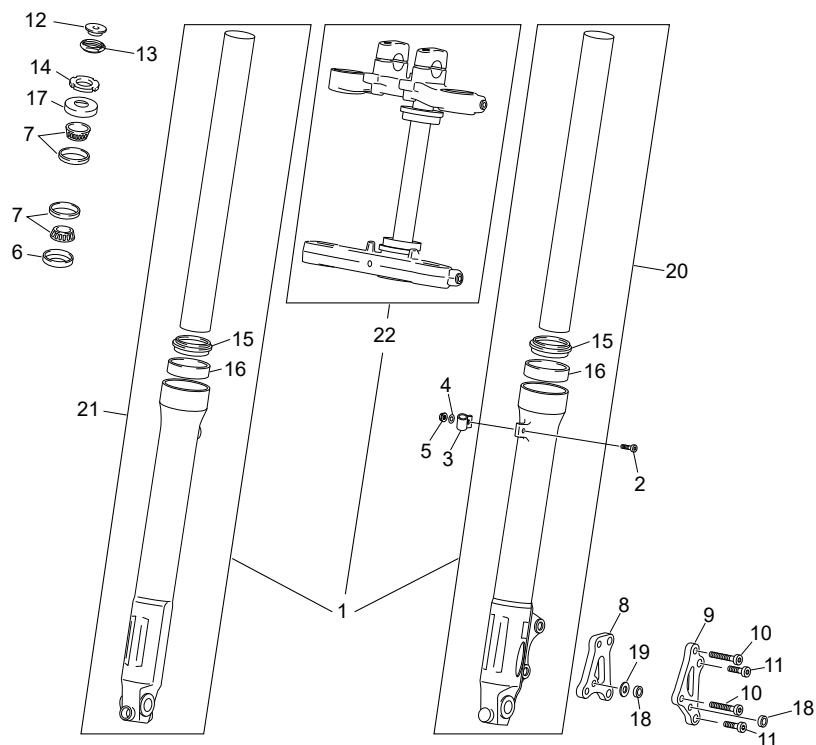


Cadre Frame / Chasis



POS.	50-R SM / 50-R END	FRANÇAIS	ENGLISH	ESPAÑOL
1	H173	ANTIVOL DIRECTION END 50	ANTIVOL DIRECTION END 50	ANTIRROBO DIRECCIÓN END 50
2	8996	CADRE PEINT 50 END /SM EU 5	FRAME PEINT 50 END/SM EU 5	CHASIS PINTADO 50 END /SM EU 5
3	M308	ECROU CLIP M6	NUT CLIP M6	TUERCA CLIP M6
4	C422	SCREW 8 X 45	VIS HEXAG 8 X 45	TORNILLO 8 X 45
5	H201	RESSORT CALE PIED DROIT	RIGHT FOOTREST SPRING	MUELLE ESTRIBO DERECHO
6	H202	RESSORT CALE PIED GAUCHE	RIGHT FOOTREST SPRING	MUELLE ESTRIBO IZQUIERDO
7	H175	CALE PIED DROIT	RIGHT FOOTREST	ESTRIBO DERECHO
8	H174	CALE PIED GAUCHE	LEFT FOOTREST	ESTRIBO IZQUIERDO
9	C430	RONDELLE M8	WASHER M8	ARANDELA M8
10	M305	ECROU NYLSTOP M8	NUT NYLSTOP M8	TUERCA NYLSTOP M8
11	1087	BEQUILLE PEINT 50/125 SM	SIDE STAND POINT 50/125 SM	CABALLETE PEINT 50/125 SM
11	H409	BEQUILLE PEINT 50/125 END	SIDE STAND POINT 50/125 END	CABALLETE PEINT 50/125 END
12	0482	VIS BEQUILLE	STAND SCREW	TORNILLO CABALLETE
13	C412	VIS CHC M8 X 100	SCREW M8 X 100	TORNILLO M8 X 100
14	0305	RESSORT DE BEQUILLE INT	STAND SPRING INT	MUELLE CABALLETE INT
15	0481	ENTRETOISE RESSORT BEQUILLE	STAND SPACER	CASQUILLO CABALLETE
16	M027	ROULEMENT 22 X 8 X 7	BEARING 22 X 8 X 7	COJINETE 22 X 8 X 7
17	0556	DOUILLE GALET CHAINE	SPACER CHAIN WEEL	CASQUILLO ROLO CADENA
18	0231	GALET DE CHAINE	ROLER CHAIN GUIDE	ROLO CADENA
19	1028	VIS BHC M8 X 35	SCREW BHC M8 X 35	TORNILLO BHC M8 X 35
20	10674	REPOSE PIED GAUCHE PASSAGER EVO	LEFT PASSANGER FOOT REST EVO	ESTIBERA IZQ. PASAJERO EVO
21	10492	KIT AXE REPOSE PIED PASSAGER	REAR FOOTREST AXLE KIT	KIT EJE ESTRIBERAS PASAJERO
22	2282	VIS CHC M8X25	SCREW CHC M8X25	TORNILLO CHC M8X25
23	8997	BERCEAU PEINT 50 EU 5	SUB FRAME PEINT 50 EU 5	SOPORTE SILLIN PINTADO 50 EU 5
24	M304	ECROU NYLSTOP M10	NUT NYLSTOP M10	TUERCA NYLSTOP M10
25	10673	REPOSE PIED DROIT PASSAGER EVO	RIGHT PASSANGER FOOT REST EVO	ESTIBERA DERECHA PASAJERO EVO
26	M320	RONDELLE 10 X 30 X 2.5	WASHER 10 X 30 X 2.5	ARANDELA 10 X 30 X 2.5 DIN 9021
27	0479	RESSORT BEQUILLE EXT	SPRING STAND EXT	MUELLE CABALLETE EXT
28	10334	KIT CANISTER	KIT CANISTER	KIT CANISTER

Fourche Fork / Horquilla

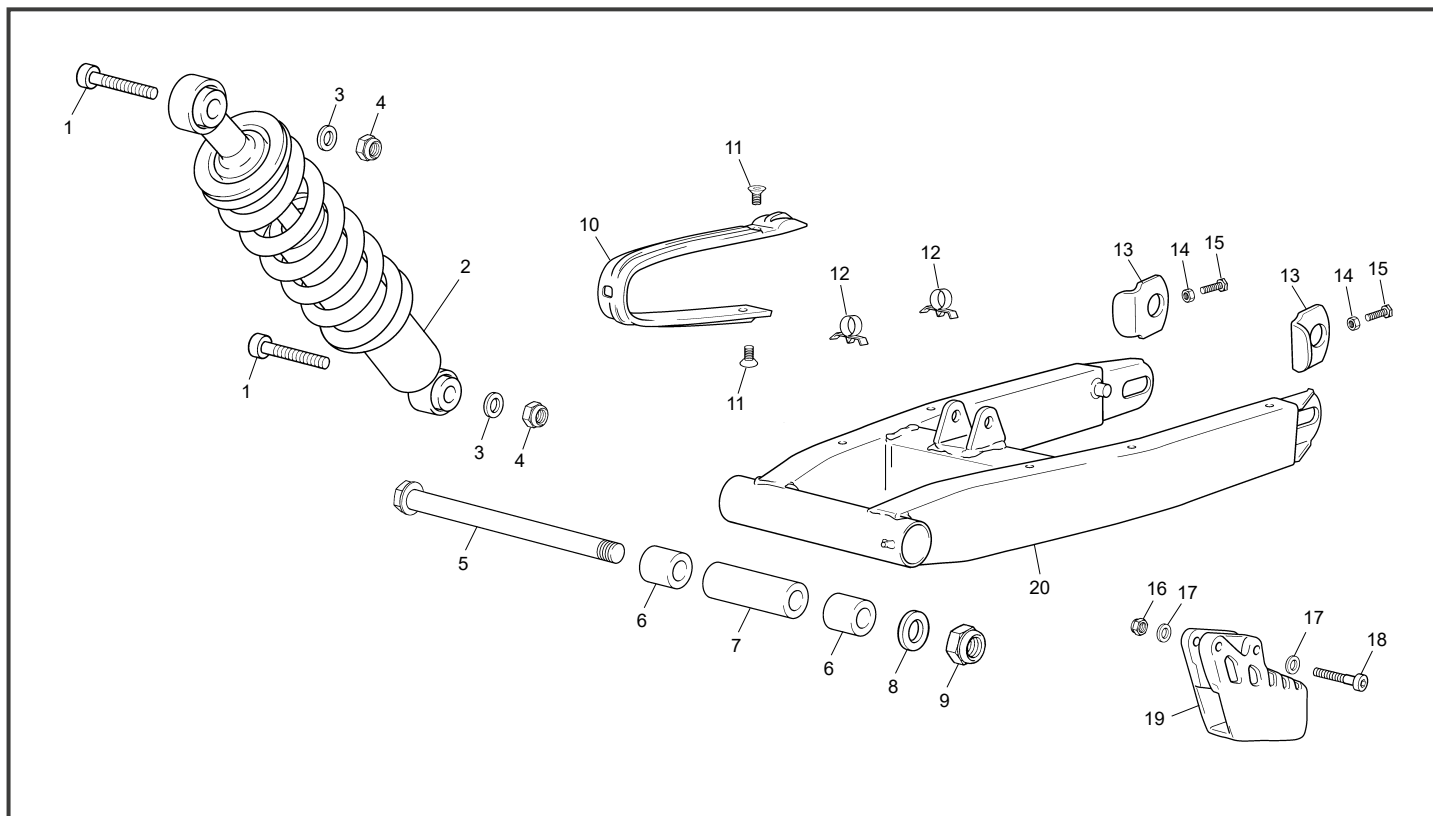


OIL CHANGE

Capacity per leg: 300cc
Viscositiy: SAE 7.5

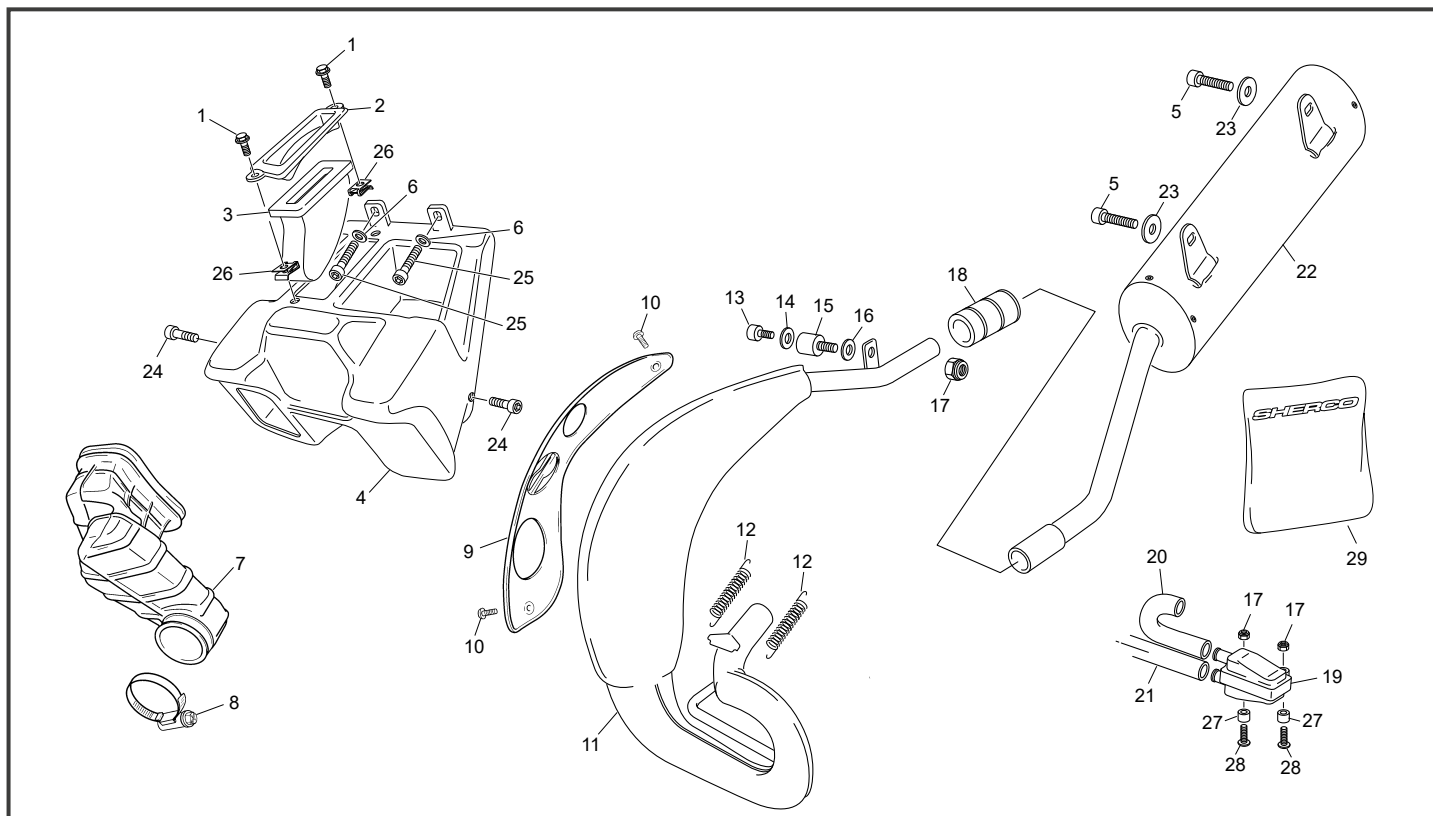
POS.	50-R SM / 50-R END	FRANÇAIS	ENGLISH	ESPAÑOL
1	2232	FOURCHE Ø37MM	FORKS Ø37MM	HORQUILLA Ø37MM
2	1036	VIS CHC M5X25	SCREW CHC M5X25	TORNILLO CHC M5X25
3	1083	COLLIER DURITE	COLLAR	ABRAZADERA MANGUITO
4	M379	RONDELLE M5	WASHER M5	ARANDELA M5
5	M355	ECROU NYLSTOP M5	NUT M5	TUERCA M5
6	1051	ANNEAU D'ÉTANCHÉITÉ NYLOS	NYLOS RING	JUNTA NYLOS
7	H006	KIT ROULEMENT	BEARING SET	RODAMIENTO DIRECCIÓN
8	7274	DÉPORT ÉTRIER ENDURO EVO	BRAKE CALIPPER ENDURO EVO	SOPORTE PINZA ENDURO EVO
9	7275	DÉPORT ÉTRIER SUPERMOTARD EVO	BRAKE CALIPPER SUPERMOTARD EVO	SOPORTE PINZA SUPERMOTARD EVO
10	M263	VIS TH EP M8X32	SCREW TH EP M8X32	TORNILLO TH EP M8X32
11	M261	VIS TH EP M8X20	SCREW TH EP M8X20	TORNILLO TH EP M8X20
12	8693	BOUCHON DE COLONE	PLUG	TAPÓN
13	8692	ECROU M25X1	NUT M25X1	TUERCA M25X1
14	2911	ECROU M25 ERGOT	STEERING LOCK NUT M25	TUERCA M25
15	2912	PARE POUSSIÈRE	DUST SEAL	GUARDA POLVO
16	2913	JT SPI	SEAL FORK	RETÉN HORQUILLA
17	6268	CACHE POUSSIÈRE 50CC	DUST PROTECTOR 50CC	PROTECCIÓN 50CC
18	7412	ENTRETOISSE CAPTEUR VITESSE	REED SENSOR SPACER	ARANDELA SENSOR VELOCIDAD
19	C430	RONDELLE M8	WASHER M8	ARANDELA M8
20	5732	FOURCHE 37 MM BRAS DROIT 50 END/SM	FORK DIRECT 37 MM RIGHT LEG 50 END/SM	HORQUILLA 37 MM BARRA DER 50/125 END/SM
21	5733	FOURCHE 37 MM BRAS GAUCHE 50 END/SM	FORK DIRECT 37 MM LEFT LEG 50 END/SM	HORQUILLA 37 MM BARRA IZQ 50/125 END/SM
22	5734	TES COMPLET FOURCHE 37 MM 50 END/SM	CLAMP FORK DIRECT 37 MM 50 END/SM	HORQUILLA 37 MM PLATINA 50 END/SM

Amortisseur - Bras oscillant Rear Shock - Swingarm / Amortiguador - Basculante



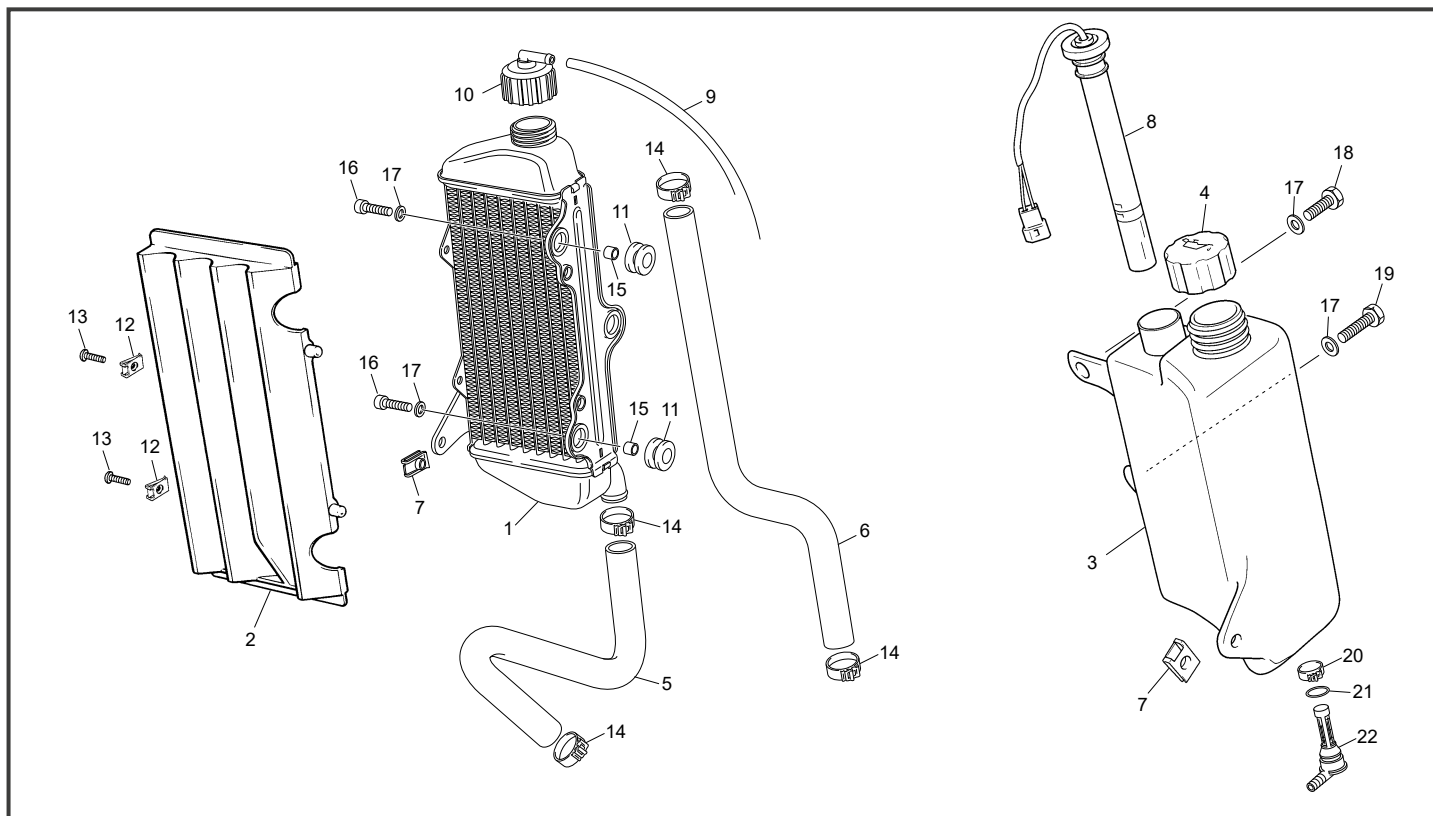
POS.	50-R SM / 50-R END	FRANÇAIS	ENGLISH	ESPAÑOL
1	M259	VIS CHC 10 X 50 0084	SCREW CHC 10 X 50	TORNILLO 10 X 50 ALLEN
2	H396	AMORTISSEUR 50/125 06	SHOCK ABSORBER 50/125 06	AMORTIGUADOR 50/125 06
3	C424	RONDELLE M10	WASHER M10	ARANDELA M10
4	M304	ECROU NYLSTOP M10 0368.10	NUT NYLSTOP M10	TUERCA NYLSTOP M10
5	H127	AXE BRAS OSCILLANT 50 END	SWINGARM AXLE 150 ENDURO	EJE BASCULANTE 50 ENDURO
6	11218	SILENT BLOC DE BRAS OSCILLANT 50/125 EVO	SILENTBLOC SWINGARM 50/125 EVO	SILENTBLOC BASCULANTE 50/125 EVO
7	H425	ENTRETOISE BRAS OSCILLANT 50 06	SPACER 50 06	CASQUILLO 50 06
8	C426	RONDELLE M16	WASHER M16	ARANDELA M16
9	C417	ECROU NYLSTOP M16 X 150	NUT NYLSTOP M16 X 150	TUERCA NYLSTOP M16 X 150
10	H065	PATIN CHAINE	CHAIN SLIDER	PATÍN CADENA
11	C433	SCREW FHC M8 X 10	VIS FHC M8 X 10	TORNILLO FHC M8 X 10
12	H273	CLIP DURITE DE FREIN	BRAKE HOSE CLIP	CLIP TUBO FRENO
13	7200	TOLE TENSION CHAINE 50/125 EVO	CHAIN TENSIONER 50/125 EVO	CHAPA TENSIÓN CADENA 50/125 EVO
14	M309	ECROU STANDARD M6 0317	NUT M6	TUERCA M6
15	1027	VIS TH M6 X 60	SCREW TH M6 X 60	TORNILLO TH M6 X 60
16	M306	ECROU NYLSTOP M6 0368.6	NUT NYLSTOP M6	TUERCA NYLSTOP M6
17	C427	RONDELLE M6 X 15	WASHER M6 X 15	ARANDELA M16
18	10343	VIS M6X45 ISO 4014	BOLT M6X45 ISO 4014	TORNILLO M6X45 ISO 4014
19	0296	GUIDE CHAINE	CHAIN GUID	GUÍA CADENA
20	7199	BRAS OSCILLANT PEINT 50/125 EVO	SWINGARM PEINT 50/125 EVO	BASCULANTE PINTADO 50/125 EVO

Boîte filtre - échappement Air filter box - exhaust system / Caja filtro - escape



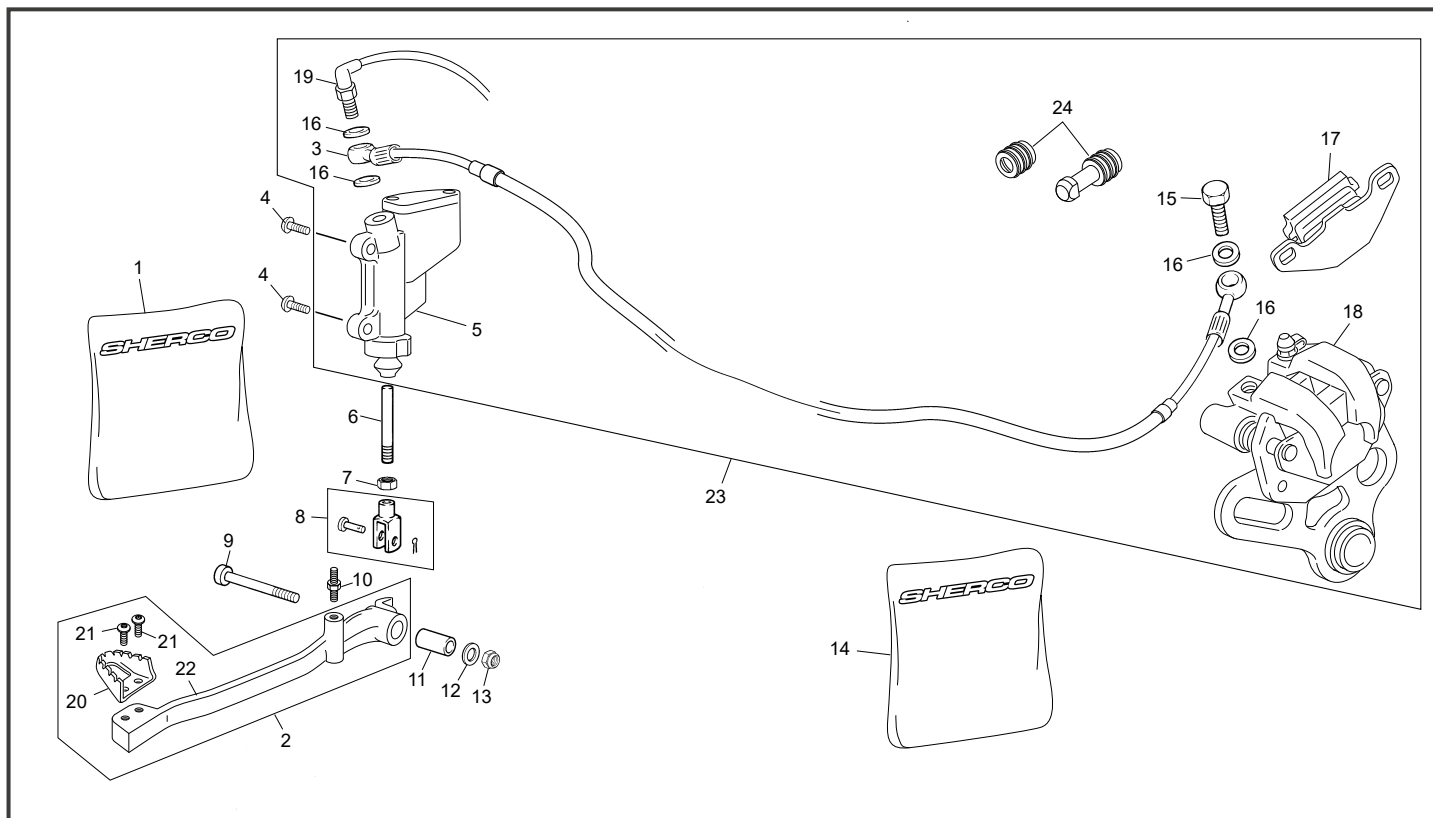
POS.	50-R SM / 50-R END	FRANÇAIS	ENGLISH	ESPAÑOL
1	5527	VIS BHC 6X16	SCREW BHC 6X16	TORNILLO BHC 6X16
2	4951	COUVERCLE FILTRE AIR 50 125 2014	AIR FILTER BOX COVER 50 125 2014	TAPA FILTRO 50 125 END/SM 2014
3	C108	MOUSSE DE FILTRE	TWIN AIR FOAM	ESPUMA DE FILTRO TWIN AIR
4	4950	BOITE FILTRE AIR 50-125 2014	AIR FILTER BOX 50-125 2014	CAJA DE FILTRO 50-125 2014
5	M251	VIS CHC 6 X 16 0084	SCREW CHC 6 X 16	TORNILLO 6 X 16 DIN 912
6	C427	WASHER M6 X 15	RONDELLE M6 X 15	ARANDELA M16
7	H392	MANCHON FILTRE AIR 50 06	AIR FILTER SLEEVE 50 06	TUBERA CAJA FILTRO 50 06
8	C485	COLLIER SEBRA 30X45	HOSE CLAMP 30X45	BRIDA TUBERA 30X45
9	4254	PROTECTEUR NOIR	BLACK PROTECTOR	PROTECTOR NERGO
10	1146	VIS	SCREW	TORNILLO
11	9004	POT CATA 50 END/SM EURO 5	EXHAUS 50 CATA END/SM EURO 5	ESCAPE 50 CATA END/SM EURO 5
12	H204	RESSORT DE POT 50	EXHAUST SPRING 50	MUELLE ESCAPE 50
13	C409	VIS CHC M6 X 10 DIN 912	SCREW CHC M6 X 10	TORNILLO M6 X 10 CHC
14	M317	RONDELLE 6 X12 0407 6	WASHER X 6	ARANDELA 6 DIN 125 A
15	H058	SILENTBLOC DE POT	EXHAUST SILENTBLOCK	SILENTBLOCK DE ESCAPE
16	H005	RONDELLE ISOLANTE	INSULATING WASHER	ARANDELA AISLANTE
17	M306	ECROU NYLSTOP M6 0368.6	NUT NYLSTOP M6	TUERCA NYLSTOP M6
18	H055	MANCHON POT/SILENCIEUX 50	EXHAUST/SILENCER GASKET 50	JUNTA ESCAPE/SILENCIOSO 50
19	H377	VALVE AIS	AIS VALVE	VÁLVULA AIRE PARALELO
20	1036	DURIT VALVE POT 125MM 50MM	AIS EXAHUST TUBE 125 MM 50 MM	AIS TUBOS 125MM 50MM
21	1037	DURIT VALVE DE POT 610MM 50 END	AIS EXAHUST TUBE 610MM 50 END	TUBOS VALVE AIS 610MM 50 END
22	9005	SILENCIEUX 50 ALUMINIUM EURO 5	SILENCER 50 ALUMINIUM EURO 5	SILENCIOSO 50 ALUMINIUM EURO 5
23	C428	RONDELLE M6 X 20	WASHER M6 X 20	ARANDELA M6 X 20
24	3554	VIS BHC 6X8	SCREW BHC 6X8	TORNILLO BHC 6X8
25	M283	VIS BHC 6X16	SCREW BHC 6X16	TORNILLO 6X16
26	M308	ECROU CLIP M6	NUT CLIP M6	TUERCA CLIP M6
27	0525	ENTRETOISSE	SPACER	CASQUILLO
28	0970	VIS THEP 6X25	SCREW THEP 6X25	TORNILLO THEP 6X25
29	7291	KIT RECHARGE SILENCIEUX 50	MUFFLER REPAIR KIT 50	KIT RECARGA SILENCIOSO 50

Radiateur Radiator / Radiador



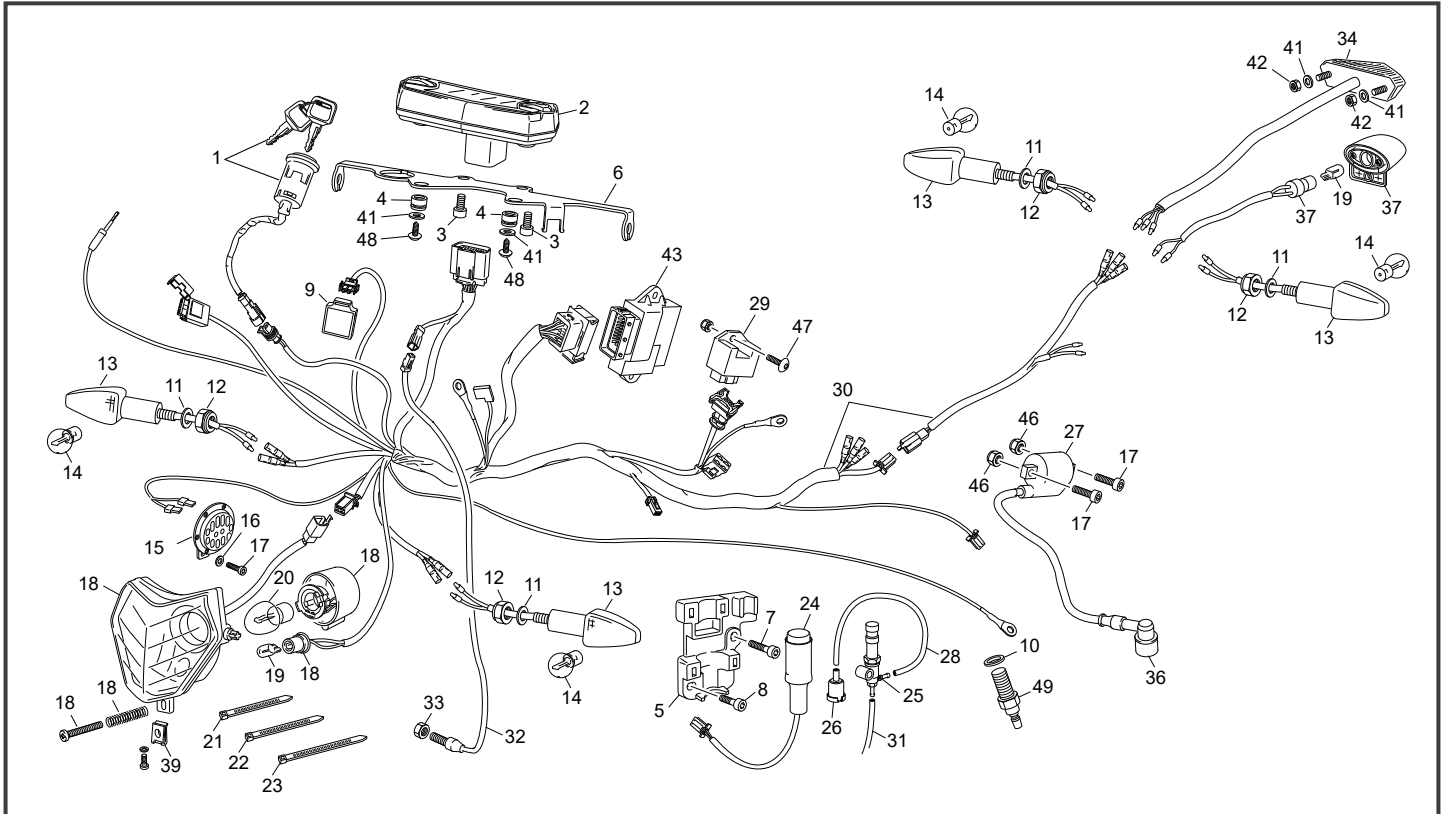
POS.	50-R SM / 50-R END	FRANÇAIS	ENGLISH	ESPAÑOL
1	4949	RADIATEUR 50 2014	RADIATOR 50 2014	RADIADOR 50 2014
2	H028	GRILLE RADIATEUR 50	RADIATOR PROTECTOR	PROTECTOR RADIADOR
3	8471	RESERVOIR HUILE 50 EURO 4	OIL RESERVOIR 50 EURO 4	DEPÓSITO DE ACEITE 50 EURO 4
4	H036	BOUCHON RESERVOIR HUILE	OIL RESERVOIR CAP	TAPÓN DEPÓSITO ACEITE
5	H047	DURITE INF. RADIATEUR 50	LOWER RADIATOR HOSE 50	TUBO RADIADOR INFERIOR 50
6	H049	DURITE SUP. RADIATEUR 50	TOP RADIATOR HOSE 50	TUBO SUPERIOR RADIADOR 50
7	M308	ECROU CLIP M6	NUT CLIP M6	TUERCA CLIP M6
8	H159	SONDE NIVEAU HUILE	OIL LEVEL PROBE	SONDA NIVEL ACEITE
9	H046	DURITE ESSENCE/RADIATUR 50	HOSE PETROL/RADIATOR 50	TUBO GASOLINA/RADIADOR 50
10	6408	BOUCHON RADIATEUR	RADIATOR CAP	SIPÓN RADIADOR
11	H059	SILENBLOC RADIATEUR	SILENBLOC RADIATOR	SILENBLOC RADIADOR
12	M378	ECROU CLIP M5	NUT CLIM M5	TUERCA CLIP M5
13	M278	VIS BHC 5 X10	SCREW BHC 5X10	TORNILLO 5 X 10 ULS
14	O281	COLLIER K025 FIXAT. DURITE END450	COLLAR K025 HOSE RADIA. END 450	BRIDA K025 TUBO RADIADOR END 450
15	O525	ENTRETOISE	SPACER ELECTRIC START	CASQUILLO ARRANQUE ELÉCTRICO
16	M252	VIS CHC 6 X 20 0084	SCREW CHC 6 X 20	TORNILLO 6 X 20 DIN 912
17	C428	RONDELLE M6 X 20	WASHER M6 X 20	ARANDELA M6 X 20
18	O656	VIS THEP 6X16	SCREW THEP 6X16	TORNILLO THEP 6X16
19	O546	VIS THEP 6X20	SCREW THEP 6X20	TORNILLO THEP 6X20
20	8508	COLLIER SANS VIS 18.5X20	COLLARD 18.5X20	ABRAZADERA 18.5X20
21	M162	JOINT TORIQUE 10X2.5 BOUCHON HUILE	O-RING 10X2.5 OIL PLUG	TORICA 10X2.5 TAPON ACEITE
22	8470	FILTRE A HUILE 50	OIL FILTER 50	FILTRO ACIETE 50

Frein arrière Rear brake / Freno trasero



POS.	50-R SM / 50-R END	FRANÇAIS	ENGLISH	ESPAÑOL
1	4082	KIT REP. MAITRE CYLINDRE AR. JJUAN	REPAIR KIT REAR MASTER CYLI. JJUAN	KIT REP. BOMBA FRENO TRA. JJUAN
2	8590	PEDALE FREIN ALU 50 SE SM COMPLETE	COMPLETE REAR BRAKE PEDAL 50 SE SM	PEDAL FRENO TRAS. COMP. 50 SE SM
3	4077	DURITE FREIN AR JJUAN	REAR BRAKE HOSE JJUAN	LATIGUILLO FRENO JJUAN
4	M283	VIS BHC 6 X 16 1093	SCREW BHC 6 X 16	TORNILLO 6 X 16 ULS
5	4078	MAITRE CYLINDRE AR 50 JJUAN	REAR MASTER CYLINDER JJUAN	BOMBA FRENO TRASERO JJUAN
6	0374	TIGE FREIN AR	REAR BRAKE PUSHROD	VARILLA FRENO TRAS
7	M309	ECROU STANDARD M6 0317	NUT M6	TUERCA M6
8	H122	CHAPE DE FREIN	BREAK PEDALE BALANCE	HORQUILLA PEDALE FRENO
9	C406	VIS CHC M8 X 50	SCREWCHC M8 X 50	TORNILLO CHC M8 X 50
10	1049	VIS BUTEE DE FREIN AR 50 END SM	REAR BREAK SCREW 50 END SM	TORNILLO
11	H123	ENTRETOISE PEDALE FREIN	REAR BRAKE PEDAL BRACE	CASQUILLO PEDAL FRENO
12	C430	RONDELLE M8	WASHER M8	ARANDELA M8
13	M305	ECROU NYLSTOP M8 0368.8	NUT NYLSTOP M8	TUERCA NYLSTOP M8
14	4083	KIT REPARATION ETRIER JJUAN	REPAIR KIT CALIPER JJUAN	KIT REP. PINZA JJUAN
15	R059	VIS RACCORD	BANJO SCREW	TORNILLO RACORD ULS
16	R074	JOINT CUIVRE 10X14X1.5	BANJO SEAL 10X14X1.5	ARANDELA BANJO 10X14X1.5
17	4084	PLAQUETTES FREIN AR JJUAN	PADS REAR BRAKE JJUAN	JUEGO PASTILLAS TRASERO JJUAN
18	4081	ETRIER FREIN AR 50 JJUAN	RAER CALIPER JJUAN	PINZA FRENO JJUAN
19	0625	CONTACTEUR DE FREIN AR	REAR BRAKE SWITCH	INTERRUPTOR DE FRENO TRASERO
20	2153	EMBOUT PÉDALE DE FREIN	REAR BRAKE PEDAL TIP	PUNTA FRENO TRASERO
21	M278	VIS BHC M5 X 10	BHC SCREW M5 X 10	TORNILLO BHC M5 X 10
22	H411	PEDALE FREIN ALU 50	REAR BRAKE PEDAL	PEDAL DE FRENO TRASERO
23	3612	GROUPE FREIN ARR CPL 50	REAR BRAKE GROUP 50	CONJUNTO FRENO TRASERO 50
24	10890	KIT ANTI-POUSSIÈRE FREIN SOCC	DUST COVER KIT SOCC	KIT GUARDAPOLVOS 50CC

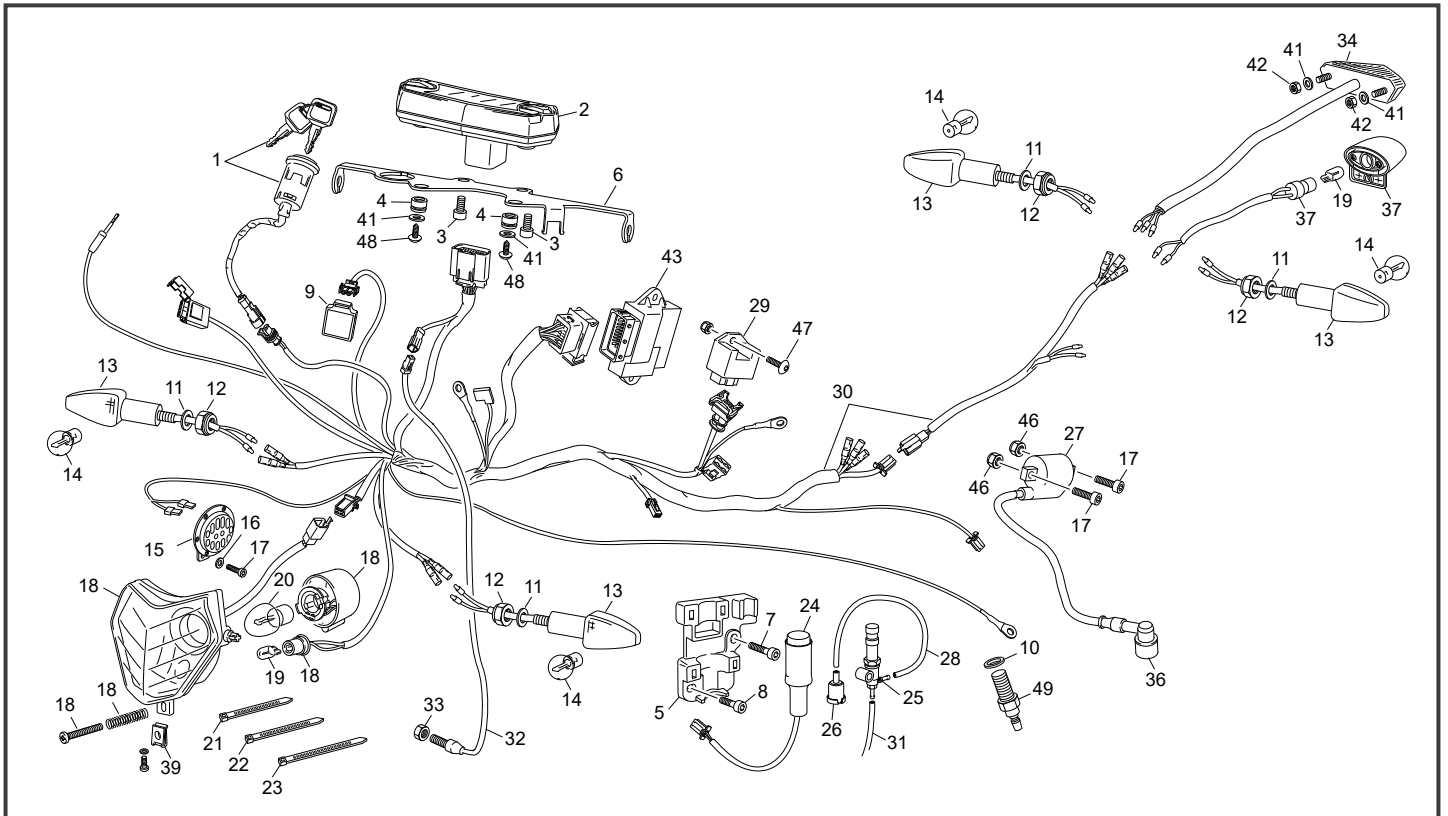
Faisceau électrique Electrical system / Instalación eléctrica



POS.	50-R SM / 50-R END	FRANÇAIS	ENGLISH	ESPAÑOL
1	3774	BLOC CLE DEMARRAGE END 50	BLOC KEY STARTER END 50	BLOC LLAVE ARRANQUE END 50
2	7032	COMPTEUR 50 FACOMSA	SPEEDOMETER 50 FACOMSA	VELOCIMETRO 50 FACOMSA
3	M251	VIS CHC M6X16	SCREW CHC M6X16	TORNILLO M6X16 CHC
4	4513	SILENBLOC COMPTEUR	SILENBLOC COMPTEUR	SILENBLOC COMPTEUR
5	7270	SUPPORT ELEMENT ELECTRIQUE	ELECTRICAL ELEMENT SUPPORT	SOPORTE ELEMENTOS ELECTRICOS
6	7276	SUPP. COMPT. 50 FACOMSA USD	SP. METER HOLDER 50 FACOMSA USD	SOP. VELOCIMET. 50 FACOMSA USD
7	M253	VIS CHC 6X30	SCREW CHC 6X30	TORNILLO CHC 6X30
8	2938	VIS CHC 6X12	SCREW CHC 6X12	TORNILLO CHC 6X12
9	0364	CENTRALE CLIGNOTANTS	INDICATIVE LIGHT SYSTEM	CENTRAL INTERMITENCIA
10	10151	JOINT CAPTEUR POINT MORT	GASKET OIL SENSOR GEAR	JUNTA DE SENSOR
11	C424	RONDELLE M10	WASHER M10	ARANDELA M10
12	M304	ECROU NYLSTOP M10	NUT NYLSTOP M10	TUERCA NYLSTOP M10
13	9954	CLIGNOTEUR	TURN LIGHT	INTERMITENTE
14	10046	AMPOULE CLIGNO HOMOLOG 12V 21W LA PAIRE	BULB IND LIGHT CE 12V 21W PAIR	BOMBILLA INTERMITENTES CE 12V 21W PAR
15	9212	KLAXON	HORN	CLAXON
16	M317	RONDELLE 6X12	WASHER X6	ARANDELA 6 DIN 125 A
17	M251	VIS CHC 6X16	SCREW CHC 6X16	TORNILLO 6X16 DIN 912
18	3053	OPTIQUE PHARE COMPLET	FRONT LIGHT ASSEMBLY	FARO DELANTERO
19	C067	AMPOULE POSITION WSW	POSITION LIGHT BULB WSW	BOMBILLA POSICIÓN WSW
20	C403	AMPO. PHARE HOMOL. 35/35W 12V	HEADLIGHT BULB 35/35W 12V	BOMBILLA FARO 35/35W 12V
21	M331	COLLIER RISLAN 100X2.5	ZIP TIE 100X2.5	ABRAZADERA 100X2.5
22	M330	COLLIER RISLAN 178X4.8	ZIP TIE 178X4.8	ABRAZADERA 178X4.8
23	C441	COLLIER RISLAN 208X4.8	ZIP TIE 208X4.8	ABRAZADERA 208X4.8
24	7553	CONDENSATEUR	CAPACITOR	CONDENSADOR
25	7527	SOLENOÏDE	SOLENOID	SOLENOIDE
26	7528	FILTRE SOLENOÏDE	SOLENOID FILTER	FILTRO DE SOLENOIDE
27	4639	BOBINE HT 50 EVO	COIL HT	BOBINA HT 50
28	7422	DURITE EVENT 150MM	DRAIN TUBE 150MM	TUBO DE DRAJAJE 150MM
29	4640	REGULATEUR 50 EVO	REGULATOR 50 EVO	REGULADOR 50 EVO
30	9011	FAISCEAU ELECTRIQUE 50 EURO 5	ELECTRIC HARNESS 50 EURO 5	INSTALACIÓN ELÉCTRICA 50 EURO 5
31	7423	DURITE EVENT 400MM	DRAIN TUBE 400MM	TUBO DE DRAJAJE 400MM
32	7531	FAISCEAU CAPTEUR VITESSE	SPEED SENSOR HARNESS	SENSOR DE VELOCIDAD INSTALACIÓN
33	3481	ECROU BAS M8	NUT M8	TUERCA M8
34	3506	FEU AR	REAR LIGHT	FARO TRAS.
36	H146	ANTIPARASITE	ANTIPARASITE	ANTIPARASITO

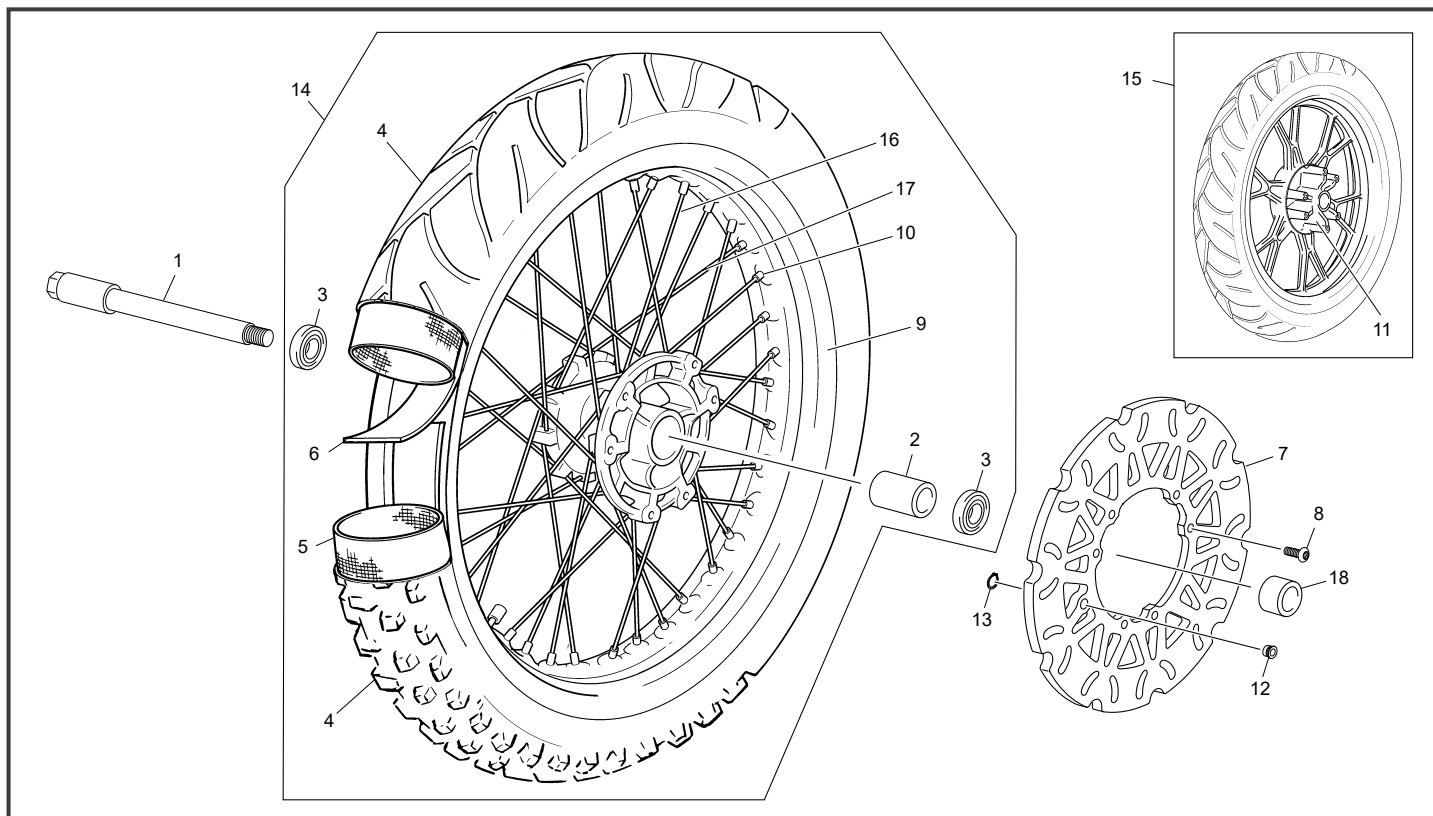
*Sherco se réserve les droits de modification des références, merci de contrôler sur le portail Sherconetwork avant toute commande. - *Sherco reserves the right to make change on the references, please check on your Sherconetwork portal before ordering.
*Sherco se reserva el derecho para hacer modificaciones sobre las referencias. Por favor, verifica en el Sherconetwork antes de hacer un pedido.

Faisceau électrique Electrical system / Instalación eléctrica



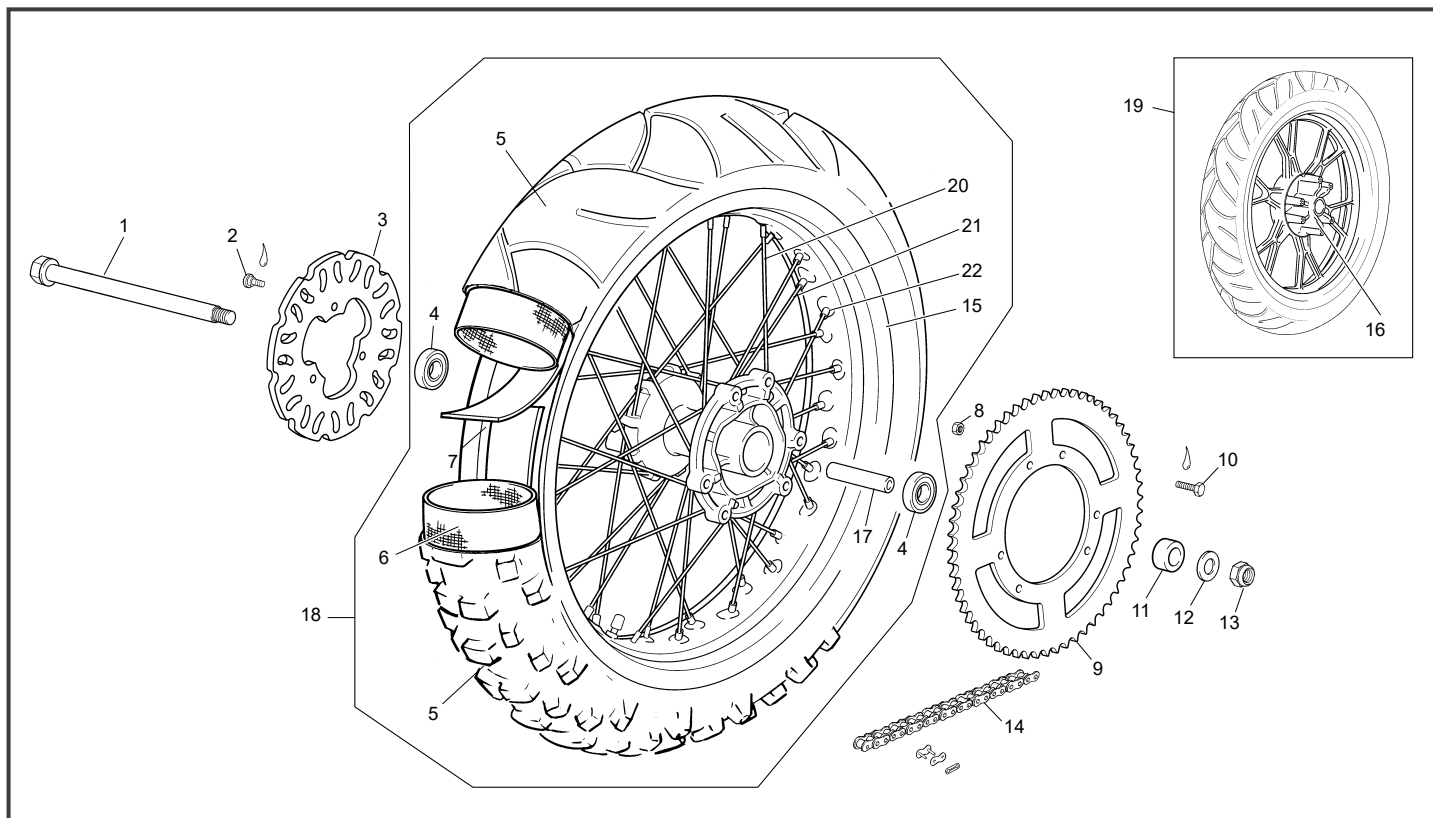
POS.	50-R SM / 50-R END	FRANÇAIS	ENGLISH	ESPAÑOL
37	3510	ECLEIRAGE PLAQUE MMATRICULATION	PLATE NUMBER REAR LIGTH	FARO PLACA MATRICULA
39	M378	ECROU CLIP M5	NUT CLIP M5	TUERCA CLIP M5
41	M318	RONDELLE M4	WASHER M4	ARANDELA M4
42	M307	ECROU M4	NUT M4	TUERCA M4
43	10148	CDI EURO 5	CDI EURO 5	CDI EURO 5
46	M306	ECROU NYLSTOP M6	NUT NYLSTOP M6	TUERCA NYLSTOP M6
47	C409	VIS CHC M6X10	SCREW CHC M6X10	TORNILLO CHC M6X10
48	M267	VIS CHC 4X16	SCREW CHC 4X16	TORNILLO CHC 4X16
49	Y171	CONTACTEUR POINT MORT	NEUTRAL SWITCH ASSY	CONTACTOR PUNTO MUERTO

Roue avant Front wheel / Rueda delantera



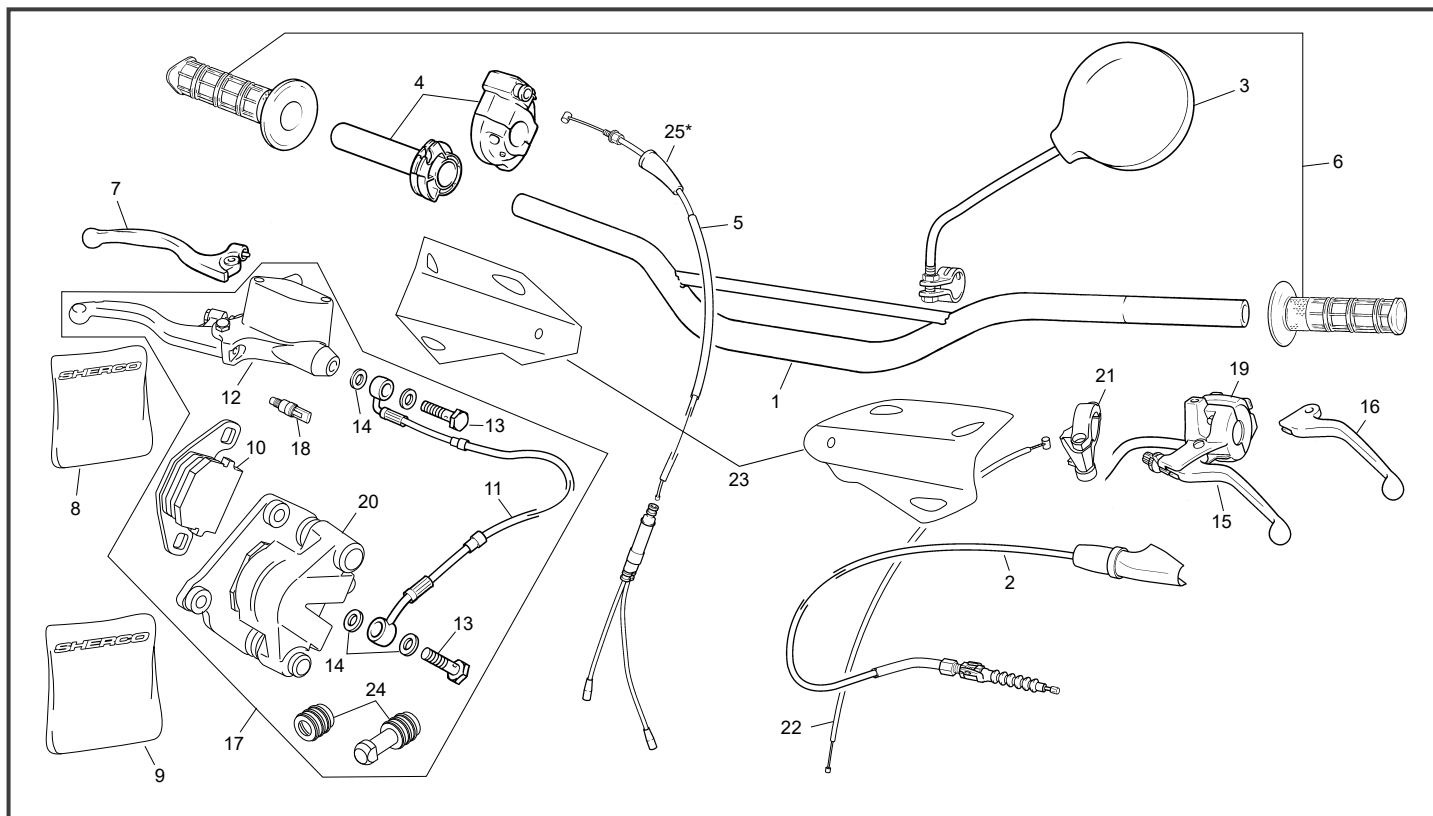
POS.	50-R SM	50-R END	FRANÇAIS	ENGLISH	ESPAÑOL
1	2208	2208	AXE DE ROUE AVANT	FRONT WHEEL AXLE	EJE RUEDA DELANTERA
2	12072	7425	ENTRETOISE ROUE AVANT	FRONT WHEEL WASHER	ARRANDELA RUEDA DELANTERA
3	R360	R360	ROULEMENT MOYEU AV.	HUB BEARING	RODAMIENTO BUJE
4	H080	----	PNEU AV. SM 100/80.17	FRONT TYRE SM 100/80.17	NEUMÁTICO DEL. SM 100/80.17
4	----	H084	PNEU AV. END 90/90.21	FRONT TYRE END 90/90.21	NEUMÁTICO DEL. END 90/90.21
5	H081	----	CHAMBRE AV. SM 300 X 17	FRONT INNER TUBE SM 300 X 17	CAMARA DELANTERA SM 300 X 17
5	----	H077	CHAMBRE AV. END 300 X 21	FRONT INNER TUBE END 300 X 21	CAMARA DEL. END 300 X 21
6	H247	H078	CORDON JANTE AV. END	FRONT RIM RUBBER BAND END	BANDA LLANTA DEL. END
7	----	7273	DISQUE AV. 50/125 END 260MM EVO	BRAKE DISK 50/125 END 260MM EVO	DISCO DEL. 50/125 END 260MM EVO
7	8585	----	DISQUE AV. SM 50/125 300MM EVO	BRAKE DISK SM 50/125 300MM EVO	DISCO DEL. SM 50/125 300MM EVO
8	0452	0452	VIS SPECIALE DISQUE	SCEW SPECIAL BRAKE DISC END	TORNILLO ESPECIAL DISCO FRENO
9	----	2122	ROUE AV END TITANE SANS DISQUE/PNEU	FRONT WHEEL END TITAN. WITHOUT TYRE/DISC	RUEDA DEL END TITANIO SIN NEUM./DISCO
9	----	10002	ROUE AV END NOIRE SANS DISQUE/PNEU	FRONT WHEEL END BLACK WITHOUT TYRE/DISC	RUEDA DEL END NEGRO SIN NEUM./DISCO
10	----	3398	ECROU DE RAYON AVANT M3.5X0.60	FRONT NEEPLE SPOCKE M3.5X0.60	TUERCA RADIO DELANTERO M3.5X0.60
11	8582	----	JANTE AV SM BATONS NOIR SANS DISQUE/PNEU	FRONT WHEEL BATON SM BLACK WITHOUT TYRE/DISC	RUEDA DEL. BATON SM NEGRA SIN NEUM./DISCO
12	7533	7533	AIMANT FACOMSA	MAGNETIC BOLT FACOMSA	IMAN SENSOR FACOMSA
13	7532	7532	CIRCLIP AIMANT FACOMSA	CIRCLIP FACOMSA	CIRCLIP FACOMSA
14	----	8302	ROUE AV 50 END USD TITANE	FRONT WHEEL 50 END USD TITANE	RUEDA DEL 50 END USD TITANE
14	----	7820	ROUE AV 50 END USD NOIRE	FRONT WHEEL 50 END USD BLACK	RUEDA DEL 50 END USD NEGRA
15	9009	----	ROUE AVANT 50 SM BATON	FRONT WHEEL 50 SM BATON	RUEDA 50 SM BATON
16	----	7992	RAYON D3.08 /M3.5X0.6 L250 COTE DISQUE	SPOCKE D3.08 /M3.5X0.6 L250 DISK SIDE	RADIO D3.08 /M3.5X0.6 L250 IZQ.
17	----	7993	RAYON D3.08 /M3.5X0.6 L252 COTE DROIT	SPOCKE D3.08 /M3.5X0.6 L252 RIGHT	RADIO D3.08 /M3.5X0.6 L252 DER.
18	8769	----	ENTRETOISE ROUE AVANT 50/125 BASE EVO	FRONT WHEEL SPACER 50/125 BASE EVO	ESPACIADOR RUEDA DELANTERA 50/125 BSE EVO
18	----	7323	ENTRETOISE ROUE AVANT 50/125	FRONT WHEEL WASHER 50/125	ARANDELA RUEDA DELANTERA 50/125

Roue arrière Rear wheel / Rueda trasera



POS.	50-R SM	50-R END	FRANÇAIS	ENGLISH	ESPAÑOL
1	H401	H401	AXE ROUE ARRIERE 50/125 06	REAR AXLE	EJE RUEDA TRAS.
2	0452	0452	VIS SPECIALE DISQUE	SCREW SPECIAL BRAKE DISC	TORNILLO ESPECIAL DISCO FRENO
3	1735	1735	DISQUE FREIN ARR 50/125 06	BRAKE DISK REAR 50/125 06	DISCO FRENO TRAS. 50/125 06
4	0874	0874	ROULEMENT MOYEU AR	HUB BEARING	RODAMIENTO BUJE
5	H083	----	PNEU ARR SM 130/70.17	REAR TYRE SM 130/70.17	NEUMÁTICO TRAS. SM 130/70.17
5	----	H086	PNEU ARR END 110/80.18	REAR TYRE SM 110/80.18	NEUMÁTICO TRASERO END 110/80.18
6	H082	----	CHAMBRE AR. SM 400 X 17	REAR INNER TUBE SM 400 X 17	CAMARA TRASERA SM 400 X 17
6	----	H088	CHAMBRE AR. END 300 X 18	REAR INNER TUBE END 300 X 18	CAMARA TRASERA END 300 X 18
7	H079	H079	CORDON JANTE 17	17 RIM RUBBER BAND	BANDA LLANTA 17
8	M305	M305	ECROU NYLSTOP M8	NUT NYLSTOP M8	TUERCA NYLSTOP M8
9	8586	7327	COURONNE 60 D 50 SM ALU	REAR SPROCKET 60 Z 50 SM ALU	CORONA TRASERA 60 Z 50 SM ALU
9	8587	7332	COURONNE 56 DTS 50 CC	REAR SPROCKET 56 Z 50 CC	CORONA 56 Z 50 CC
9	10541	----	COURONNE 53 DTS 50 CC EVO	REAR SPROCKET 53 Z 50 CC EVO	CORONA 53 Z 50 CC EVO
10	C420	C420	VIS HEXAG 8 X 30	SCREW 8 X 30	TORNILLO 8 X 30
11	8933	H403	ENTRETOISE ROUE ARRIERE	REAR WHEEL SPACER	CASQUILLO RUEDA TRAS.
12	C426	C426	RONDELLE M16	WASHER M16	ARANDELA M16
13	C417	C417	ECROU NYLSTOP M16 X 150	NUT NYLSTOP M16 X 150	TUERCA NYLSTOP M16 X 150
14	H106	----	CHAINE 134 M 50	CHAIN 134 Z 50	CADENA 134 Z 50
14	----	H356	CHAINE 132 M 50 END	CHAIN 132 Z 50 ENDURO	CADENA 132 Z 50 ENDURO
15	----	2123	ROUE AR. END TIT SANS DISQUE/PNEU/COURRONE	REAR WHEEL END TIT WITHOUT TYRE/DISC/SPOKET	RUEDA TRAS. END TITANIO SIN DISCO/CORONA/NEUM.
15	----	10003	ROUE AR END NOIRE SANS DISQUE/PNEU/COURRONE	REAR WHEEL END BLACK WITHOUT TYRE/DISC/SPOKET	RUEDA TRASERA SM SIN DISCO/CORONA/NEUM.
16	8583	----	ROUE ARRIERE SM SANS DISQUE/PNEU/COURRONE	REAR WHEEL SM WITHOUT TYRE/DISC/SPOKET	RUEDA TRASERA (SIN NEUMÁTICO)
17	10591	R363	ENTRETOISE ARRIERE MOYEU 50	REAR HUB SPACER 50	CASQUILLO RUEDA IZQ 50 SM EVO
18	----	8303	ROUE AR END 50 TIT SANS DISQUE/COURRONE	TIT REAR WHEEL END WITHOUT DISC/SPOKET	RUEDA TRA 50 END TITANE SIN DISCO/CORONA
18	----	7819	ROUE AR END NOIRE SANS DISQUE/COURRONE	BLACK REAR WHEEL END WITHOUT DISC/SPOKET	RUEDA TRA 50 END NEGRA SIN DISCO/CORONA
19	9010	----	ROUE ARRIERE SM BATON SANS DISQUE/COURRONE	REAR WHEEL SM BATON WITHOUT DISC/SPOKET	RUEDA TRAS 50 SM BATON
20	----	7990	RAYON D3.08 /M3.5X0.6 L216 COUR.	SPOCKE D3.08 /M3.5X0.6 L216 SPOKET	RADIO D3.08 /M3.5X0.6 L216 COR.
21	----	7991	RAYON D3.08 /M3.5X0.6 L210 DISQUE	SPOCKE D3.08 /M3.5X0.6 L210 DISK	RADIO D3.08 /M3.5X0.6 L216 DISCO
22	----	3398	ECROU DE RAYON AVANT M3.5X0.60	FRONT NEEPLE SPOCKE M3.5X0.60	TUERCA RADIO DELANTERO M3.5X0.60

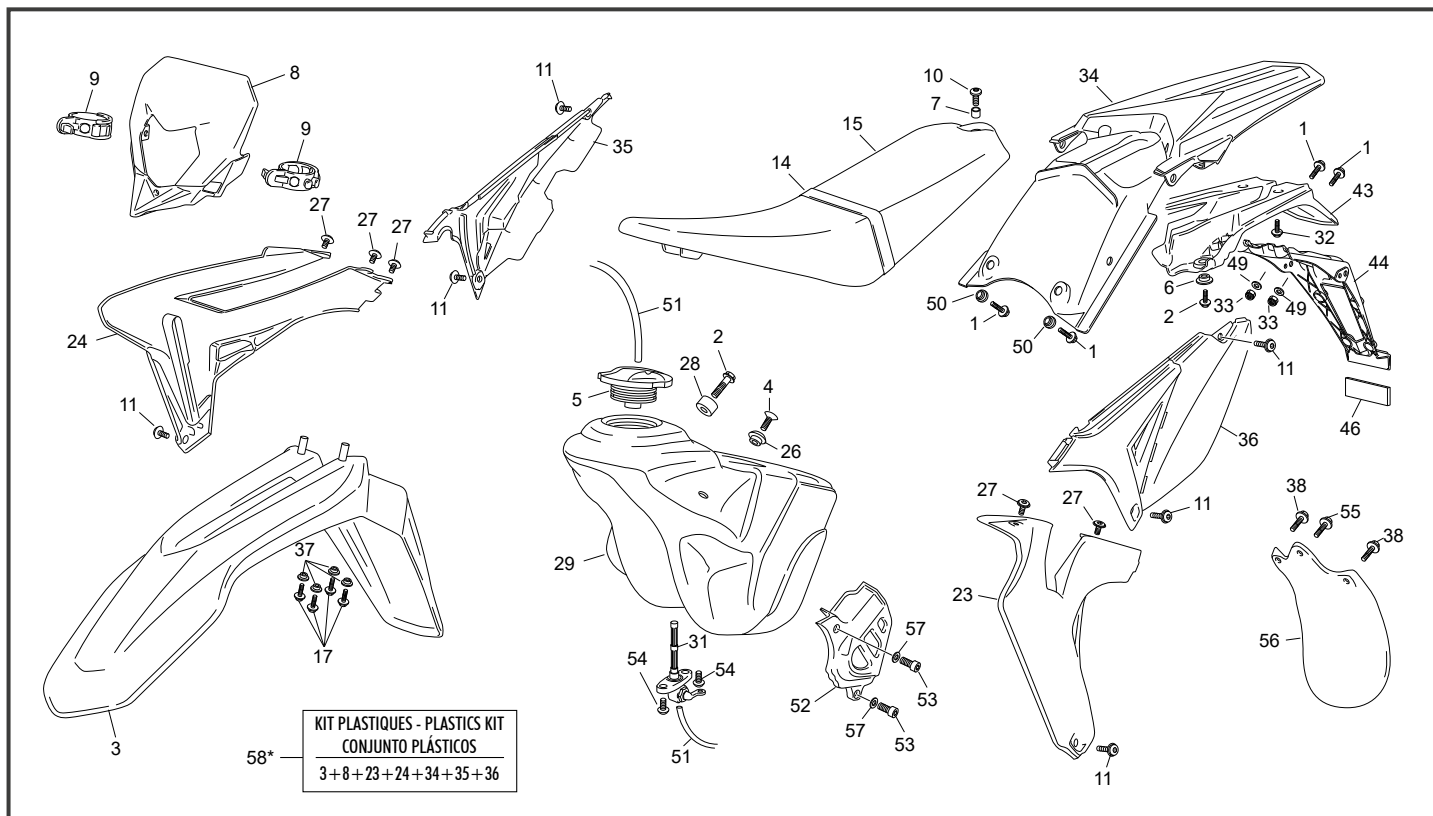
Guidon Handlebar / Manillar



POS.	50-R SM / 50-R END	FRANÇAIS	ENGLISH	ESPAÑOL
1	2231	GUIDON	HANDLEBAR	MANILLAR
2	H144	CABLE EMBRAYAGE 50 END	CLUTCH CABLE ENDURO 50	CABLE EMBRAGUE 50 ENDURO
3	S232	RETROVISEUR	DRIVING MIRROR	RETROVISOR
4	C074	COMMANDE DE GAZ	THROTTLE ASSEMBY	MANDO GAS
5	1569	CABLE DE GAZ	THROTTLE CABLE	CABLE DE GAS
6	8472	POIGNETS CAOUTCHOUC (D-G)	HANDLEBAR GRIP (RIGHT AND LEFT)	PUÑOS (DERECHO Y IZQUIERDO)
7	4306	LEVIER FREIN AVANT J.JUAN	FRONT BRAKE LEVER J.JUAN	MANETA FRENO J.JUAN
8	4082	KIT REPARATION POMPE FREIN J.JUAN	BRAKE MASTER CYLINDER REPAIR KIT	KIT REPA. BOMBA DE FRENO J.JUAN
9	4083	KIT REPARATION ETRIER J.JUAN	BRAKE CALIPER REPAIR KIT J.JUAN	KIT REPA. PINZA DEL. J.JUAN
10	4084	PLAQUETTES FREIN AV PAIRE	FRONT BRAKE PADS (SET)	JUEGO PASTILLAS FRENO DEL.
11	4085	DURITE FREIN AV.	FRONT BRAKE HOSE	LATIGUILLO FRENO DELANTERO
12	4086	POMPE COMPLETE 50	MASTER CYLINDER 50	BOMBA COMPLETE 50
13	R059	VIS BANJO	SCREW	TORNILLO BANJO
14	R074	RONDELLE BANJO 10X14X15.	WASHER 10X14X15.	ARANDELA BANJO 10X14X15.
15	4235	COCOTTE EMBRAYAGUE COMPL.	CLUTCH CONTROL COMPLETE	MANDO EMBRAGUE COMPLETO
16	1186	LEVIER EMBRAYAGE NOIR	CLUTCH LEVER BLACK	MANETA EMBRAGUE NEGRA
16	4236	LEVIER EMBRAYAGE GRIS	CLUTCH LEVER GREY	MANETA EMBRAGUE GRIS
17	3613	GROUPE FREIN AV CPL.	FRONT BRAKE SYSTEM	CONJUNTO FRENO DELANTERO
18	4307	CONTACTEUR FREIN AV.	FRONT BRAKE LIGHT SWITCH	INTERRUPTOR FRENO DELANTERO
19	H431	COMMODO ELECTRIQUE	ELECTRIC COMMANDE 50	CONMUTADOR ELÉCTRICO 50
20	4087	ETRIER FREIN AV. SIMPLE PISTON J.JUAN	FRONT CALIPER ONE PISTON J.JUAN	PINZA FRENO DEL. PISTÓN SIMP. J.JUAN
21	7399	LEVIER STARTER COMPLET	CHOKE LEVER COMPLET	LEVA ESTARTER COMPLETE
22	7413	CABLE STARTER 50 EURO 4	STARTER CABLE 50 EURO 4	CABLE ESTARTER 50 EURO 4
23	1034	PARES MAINS BLEUS JEU	HAND GUARD BLUE SET	PARA MANO AZUL JUEGO
23	1035	PARES MAINS NOIRS JEU	HAND GUARD BLACK SET	PARA MANO NEGRO JUEGO
24	10890	KIT ANTI-POUSSIERE FREIN 50CC	DUST COVER KIT 50CC	KIT GUARDAPOLVOS 50CC
25	11933*	RACCORD CABLE DE GAZ	THROTTLE CABLE CONNECTION	CONEXIÓN DEL CABLE DE GAS

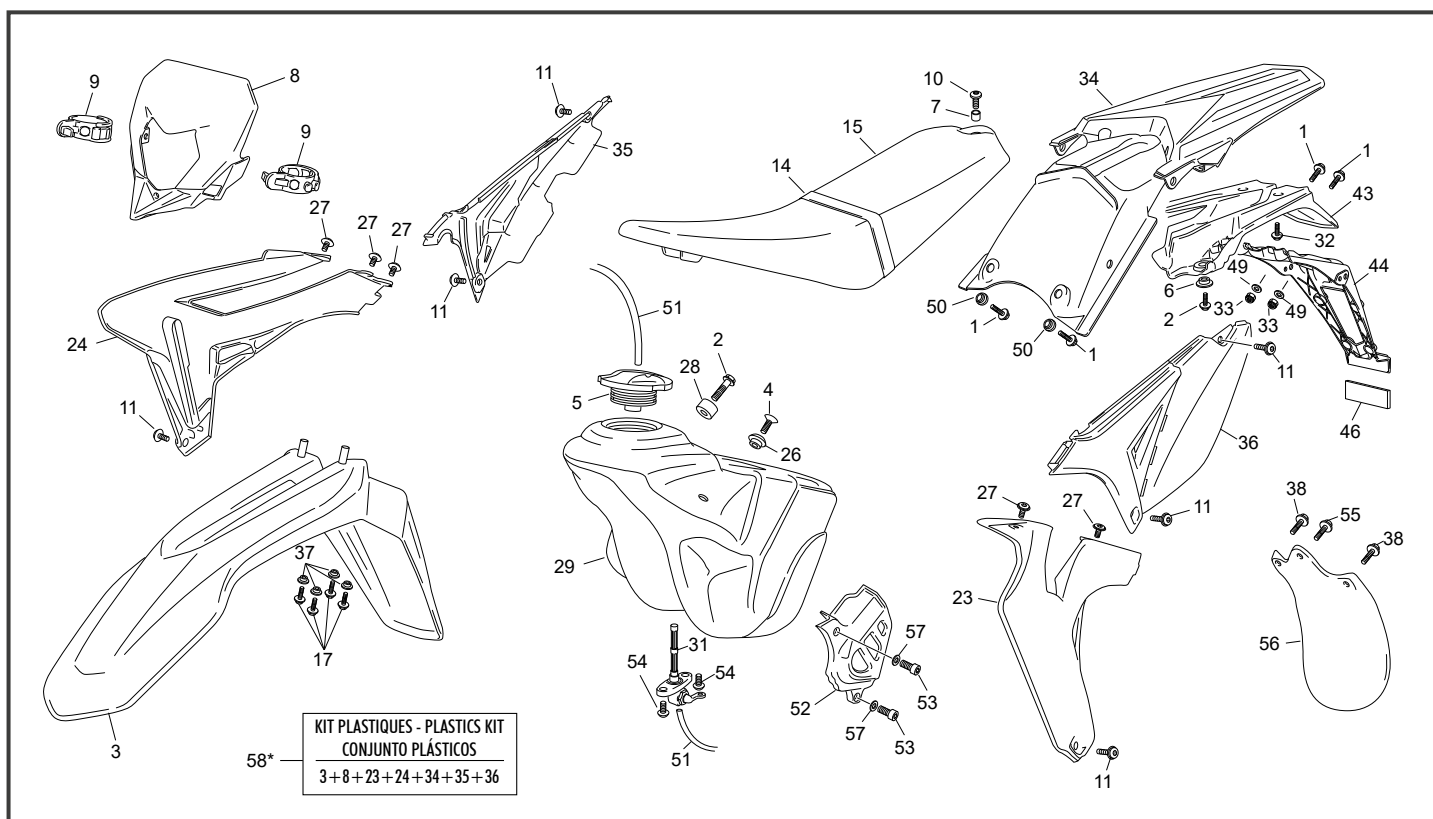
* NOUVELLE PIECE
NEW PART
PIEZA NUEVA

Plastiques Plastics / Plásticos



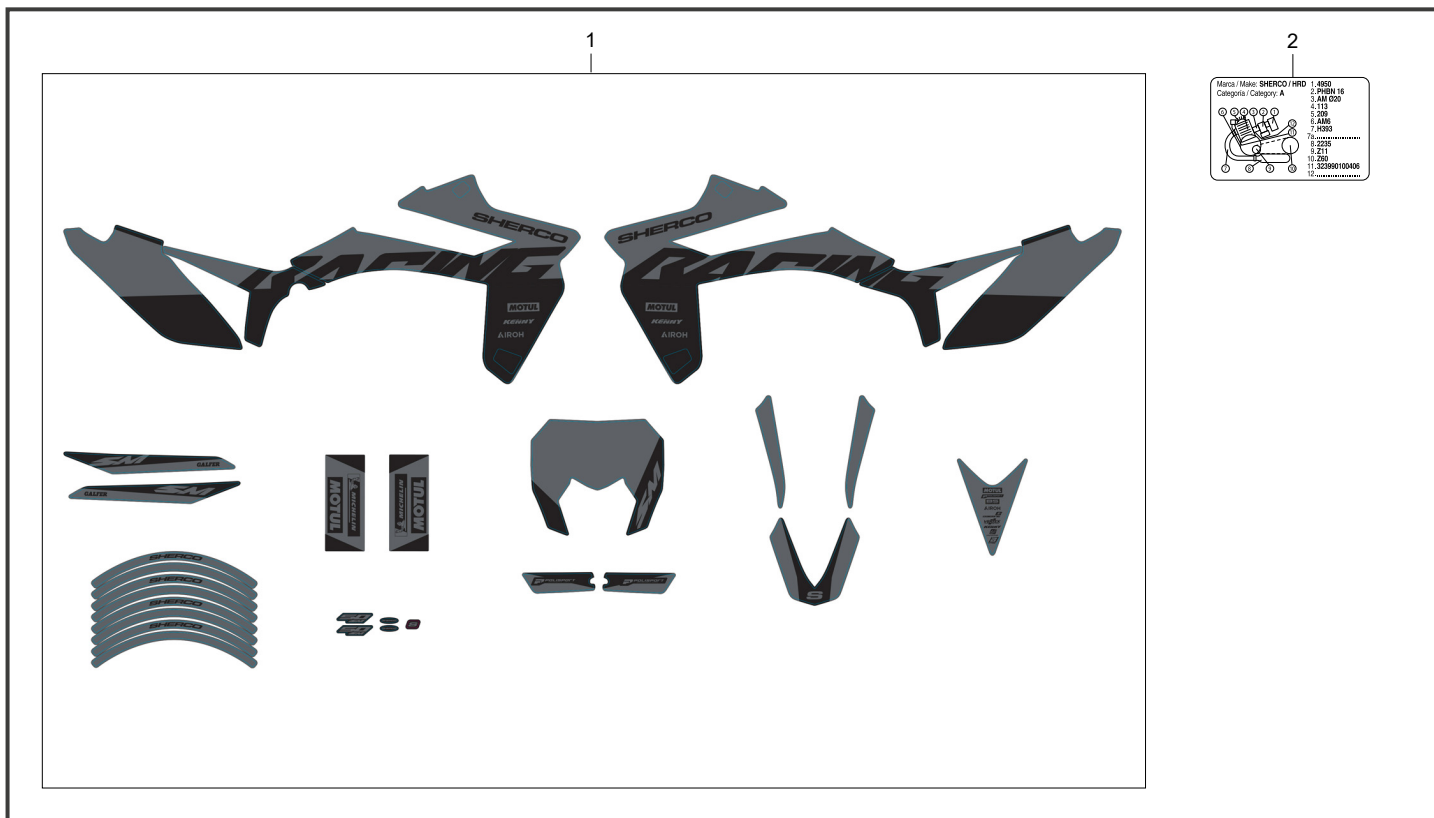
POS.	50-R FACI	50-R SILVER	50-R BLACK MOON	FRANÇAIS	ENGLISH	ESPAÑOL
1	M283	M283	M283	VIS BHC M6X16	SCREW BHC M6X16	TORNILLO BHC M6X16
2	M252	M252	M252	VIS CHC M6X20	SCREW CHC M6X20	TORNILLO CHC M6X20
3	----	4260	4260	PARE BOUE AVANT NOIR SM EVO	FRONT MUDGUARD SM BLACK EVO	GUARDABARRO NEGRO SM EVO
3	4400	----	----	PARE BOUE AVANT BLANC SM EVO	FRONT MUDGUARD SM WHITE EVO	GUARDABARRO BLANCO SM EVO
3	3064	----	----	PARE BOUE AVANT BLUE END	FRONT MUDGUARD BLUE END	GUARDABARROS DEL AZUL END
4	C432	C432	C432	VIS FHC M6X16	SCREW FHC M6X16	TORNILLO FHC M6 X 16
5	H398	H398	H398	BOUCHON ESSENCE PLAT ACERBIS	PETROL CAP	TAPON GASOLINA PLANO ACERBIS
5	4847	4847	4847	BOUCHON ESSENCE A CLEF	PETROL CAP WITH KEY	TAPON GASOLINA CON LLAVE
6	3097	3097	3097	ENTRETOISE DE CARROSSERIE 1	PLASTIC SPACER 1	DISTANCIADOR PARA PLASTICOS 1
7	1756	1756	1756	ENTRETOISE SELLE	SEAT SPACER	CASQUILLO SILLIN
8	----	5051	5051	PLAQUE PHARE SM NOIR	FRONT LIGHT PLASTIC SM BLACK	PLACA FARO SM NEGRA
8	3065	----	----	PLAQUE PHARE	FRONT LIGHT PLASTIC	PLACA FARO
9	H050	H050	H050	ELASTIQUE PLAQUE PHARE	FRONT LIGHT RUBBER BAND	ELASTICO PLACA FARO
10	M284	M284	M284	VIS BHC 6 X 25 ACZI NOIRE	SCREW BHC M6X25 BLACK	TORNILLO 6 X 25 ULS NEGRO
11	5201	5201	5201	VIS THEP 6X16	SPECIAL SCREW THEP 6X16	TORNILLO ESPECIAL THEP 6X16
14	0793	0793	0793	SANGLE. HOM	HANDLE	ASA
15	3060	3060	3060	SELLE BASSE STANDARD	STANDARD LOW SEAT	SILLIN STANDARD BAJA
17	0546	0546	0546	VIS THEP M6X20	SCREW THEP M6X20	TORNILLO THEP M6X20
23	4670	7463	7463	OUIE AVANT GAUCHE	LH RADIATOR SIDE PANEL	PLACA RADIADOR IZQ
24	4669	7462	7462	OUIE AVANT DROITE	RH RADIATOR SIDE PANEL	PLACA RADIADOR DER
26	0497	0497	0497	FIXATION SELLE RESERVOIR	SPACER SEAT TANK	CASQUILLO SILLIN DEPOSITO
27	3554	3554	3554	VIS BHC E M6X8	SCREW BHC E M6X8	TORNILLO BHC E M6X8
28	0238	0238	0238	BUTÉE PLASTIQUE	RUBBER TANK	TOPE GOMA
29	4948	4948	4948	RESERVOIR ESSENCE 50	PETROL TANK 50	DEPOSITO 50
31	C023	C023	C023	ROBINET D'ESSENCE	PETROL TAP	GRIFO GASOLINA
32	3555	3555	3555	VIS PLASTIQUE M5X18	PLASTIC SCEW M5X18	TORNILLO POR PLASTICO M5X18
33	M306	M306	M306	ECROU NYLSTOP M6	NUT NYLSTOP M6	TUERCA NYLSTOP M6
34	----	5008	5008	PARE BOUE ARRIÈRE END NOIR	REAR MUDGUARD END BLACK	GUARDABARRO TRAS END. NEGRO
34	3057	----	----	PARE BOUE ARRIÈRE END BLANC	REAR MUDGUARD END WHITE	GUARDABARRO TRAS END. BLANCO
35	3058	----	----	PLAQUE LATÉRALE DROITE	RH NUMBER PLATE	PLACO N°DER
35	----	5049	5049	PLAQUE LATÉRALE DROITE SM NOIRE	RH NUMBER PLATE SM BLACK	PLACO N°DER SM NEGRA
36	3059	----	----	PLAQUE LATÉRALE GAUCHE	LH NUMBER PLATE	PLACO N° IZQ
36	----	5050	5050	PLAQUE LATÉRALE GAUCHE SM NOIRE	LH NUMBER PLATE SM BLACK	PLACO N° IZQ SM NEGRA
37	M321	M321	M321	RONDELLE 6X18X15	WASHER 6X18X15	ARANDELA 6X18X15
38	M289	M289	M289	VIS BHC M6X12	SCREW BHC M6X12	TORNILLO BHC M6X12

*Sherco se réserve les droits de modification des références, merci de contrôler sur le portail Sherconetwork avant toute commande. - *Sherco reserves the right to make change on the references, please check on your Sherconetwork portal before ordering.
*Sherco se reserva el derecho para hacer modificaciones sobre las referencias. Por favor, verifica en el Sherconetwork antes de hacer un pedido.



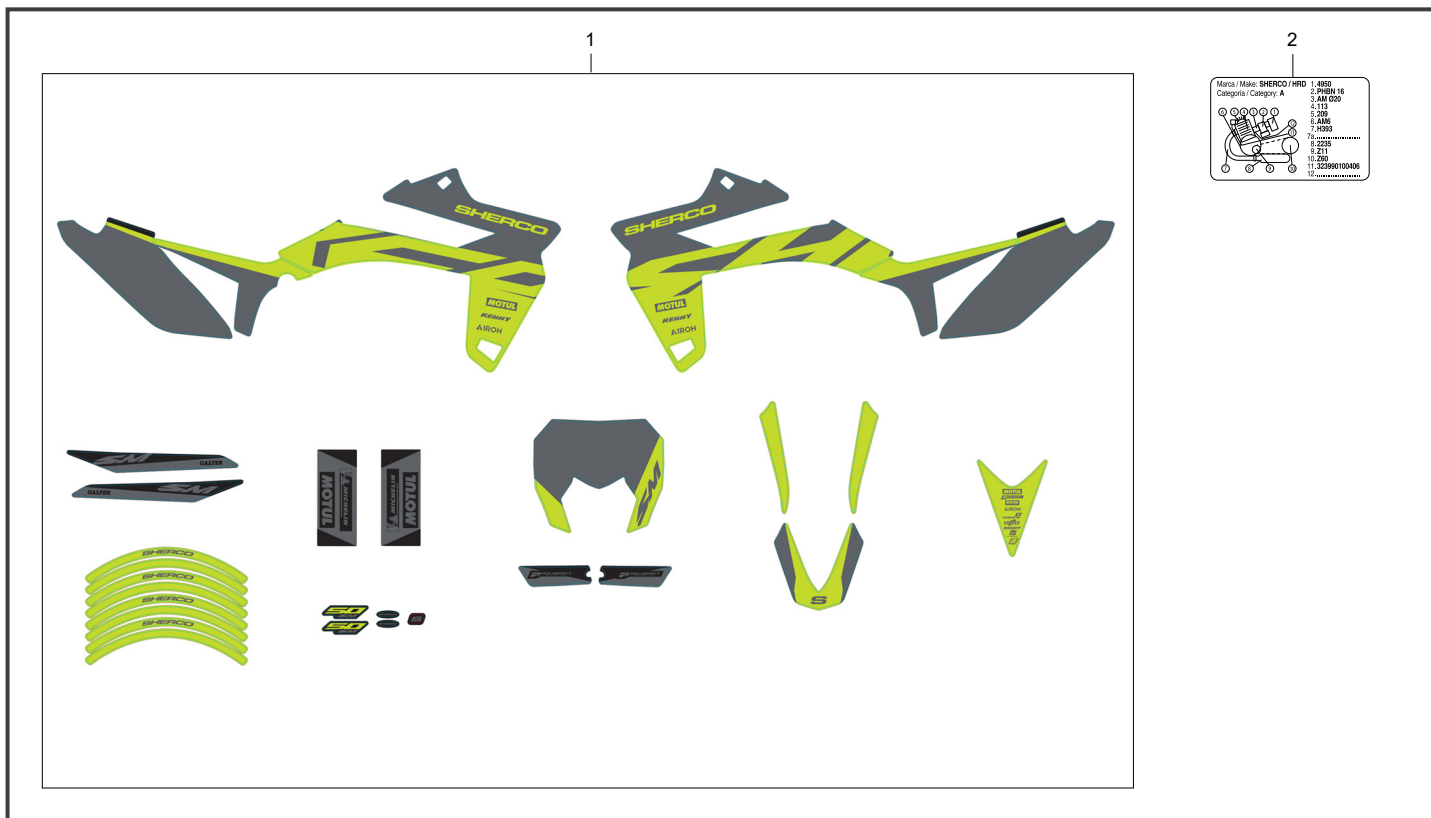
POS.	50-R FACI	50-R SILVER	50-R BLACK MOON	FRANÇAIS	ENGLISH	ESPAÑOL
43	3519	3519	3519	SUPPORT FEU AR END	BACK LIGHT HOLDER	SOPORTE FARO TRAS
44	3549	3549	3549	SUPPORT PLAQUE IMMATRICULATION	SUPPORT NUMBER PLATE	SOPORTE PLACA MATRICULA
46	1526	1526	1526	CATADIOPTRE ROUGE	REAR RETRO REFLECTOR RED	REFLECTOR TRASERO ROJO
49	C427	C427	C427	RONDELLE M6X15	WASHER M6X15	ARANDELA M6X15
50	0565	0565	0565	ENTRETOISE INOX CARROSSERIE 450	SPACER INOX BOODY 450 END	CASQ. INOX CARROCERIA 450 END
51	0252	0252	0252	DURITE	PETROL HOSE	TUBO GASOLINA
52	H027	H027	H027	CACHE PIGNON PLASTIQUE	FRONT SPROCKET PROTECTOR	PROTECTOR PIÑÓN SALIDA
53	M250	M250	M250	VIS CHC 5 X 16 0084	SCREW CHC MSX16	TORNILLO CHC MSX16
54	M282	M282	M282	VIS BHC M6X10	SCREW BHC M6X10	TORNILLO BHC M6X10
55	0576	0576	0576	VIS AUTO FIL 4,9X13L	SCREW AUTO THREADING 4.9X13L	TORNILLO AUTORROSCANTE 4.9 X 13 L
56	0288	0288	0288	BAVETTE DE FILTRE	FILTER GUARD	BAVETTE FILTRO
57	4754	4754	4754	RONDELLE M5 X 10	WASHER M5 X 10	ARANDELA M5 X 10
58	11891	----	----	KIT PLASTIQUE 50CC SM BLEU	PLASTIC KIT 50CC SM BLUE	KIT PLASTICO 50CC SM AZUL
58	11892	----	----	KIT PLASTIQUE 50CC SE BLEU	PLASTIC KIT 50CC SE BLUE	KIT PLASTICO 50CC SE AZUL
58	----	11893	11893	KIT PLASTIQUE 50CC SM NOIR	PLASTIC KIT 50CC SM BLACK	KIT PLASTICO 50CC SM NEGRO

Adhésif BLACK MOON R Sticker BLACK MOON R / Adhesivo BLACK MOON R



POS.	50-R SM	FRANÇAIS	ENGLISH	ESPAÑOL
1	11076	KIT ADHESIF 50CC BLACK MOON R 2023	STICKER KIT 50CC BLACK MOON R 2023	ADHESIVOS KIT 50CC BLACK MOON R 2023
2	5610	ADH. PLAQUE ANTI MANIPULATION SM	STICKER ANT-TAMPERING PLATE SM	ADH.PLAACA ANTI MANIPULACION SM

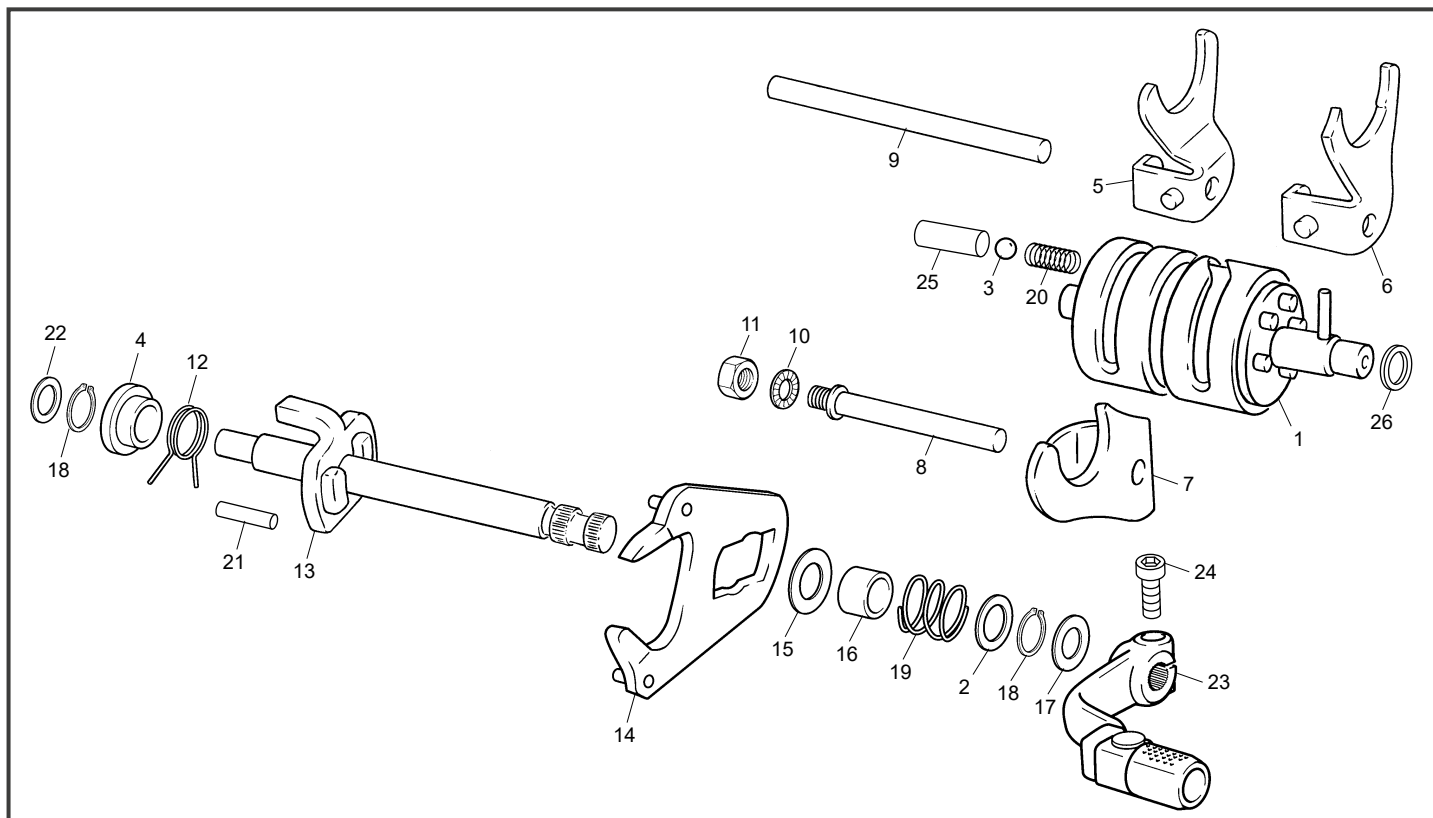
Adhésif SILVER Sticker SILVER / Adhesivo SILVER



POS.	50-R SM	FRANÇAIS	ENGLISH	ESPAÑOL
1	11078	KIT ADHESIF 50CC SILVER R 2023	50CC SILVER R STICKER KIT 2023	PRODUCCION KIT 50CC SILVER R 2023
2	5610	ADH. PLAQUE ANTI MANIPULATION SM	STICKER ANT-TAMPERING PLATE SM	ADH.PLAACA ANTI MANIPULACION SM

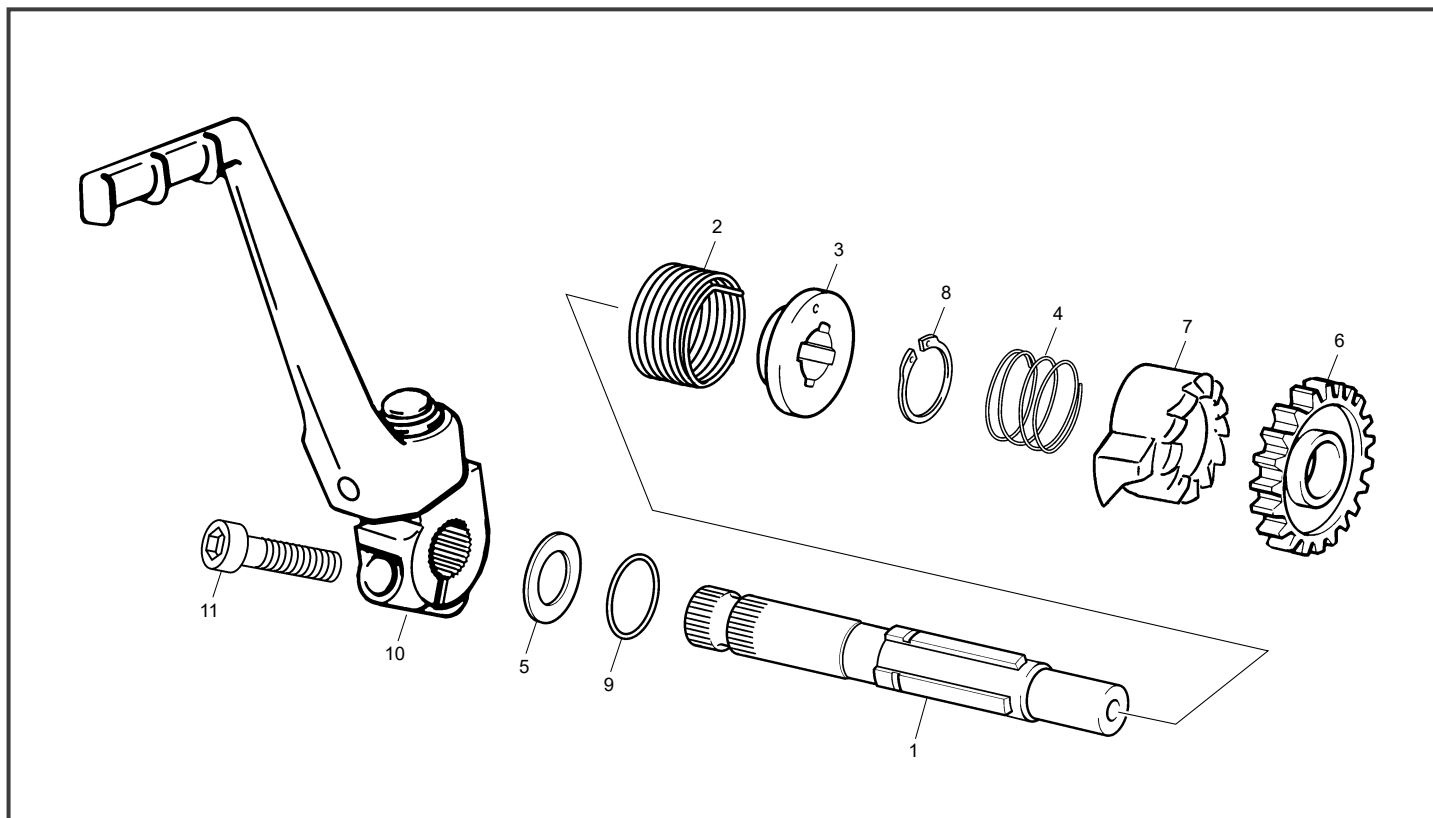
*Sherco se réserve les droits de modification des références, merci de contrôler sur le portail Sherconetwork avant toute commande. - *Sherco reserves the right to make change on the references, please check on your Sherconetwork portal before ordering.
*Sherco se reserva el derecho para hacer modificaciones sobre las referencias. Por favor, verifica en el Sherconetwork antes de hacer un pedido.

Selecteur Gear selector group / Selector cambio



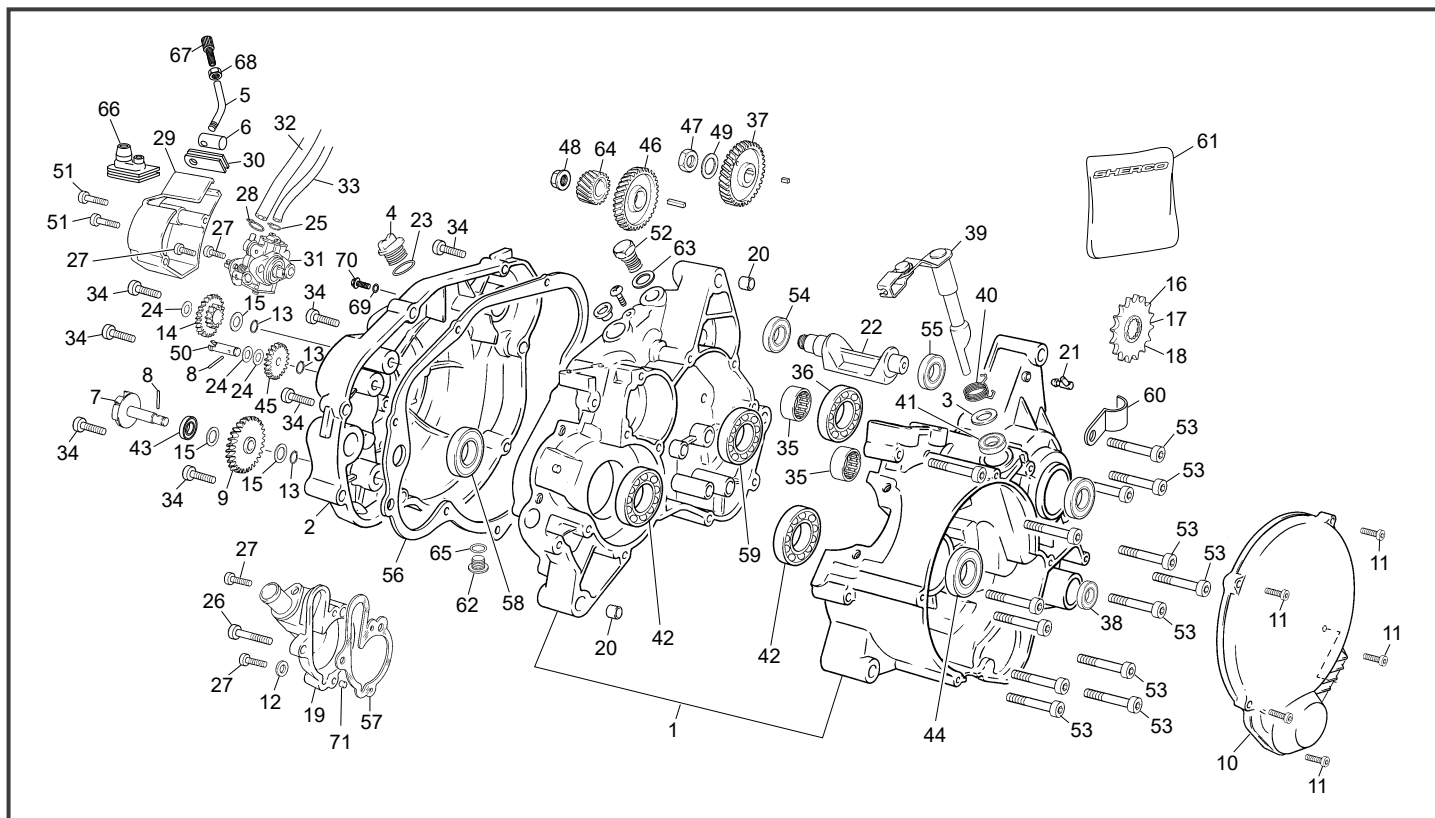
POS.	50-R SM / 50-R END	FRANÇAIS	ENGLISH	ESPAÑOL
1	Y017	BARRILLET VITESSE	SHIFT CAM	TAMBOR DE SELECCIÓN
2	Y103	RONDELLE	WASHER	ARANDELA
3	Y142	BILLE BARILLET VITESSE	BALL	BOLA TAMBOR SELECTOR
4	Y134	BAGUE GUIDE RESSORT SELECT	BUSHING SOLID	GUÍA MUELLE
5	Y042	FOURCHETTE	FORK	HORQUILLA
6	Y041	FOURCHETTE	FORK	HORQUILLA
7	Y043	FOURCHETTE	FORK	HORQUILLA
8	Y176	AXE FOURCHETTE	FORK AXLE	EJE HORQUILLA
9	Y177	AXE FOURCHETTE	FORK AXLE	EJE HORQUILLA
10	Y100	RONDELLE EVENTAIL	WASHER TOOTHED LOCK	ARANDELA
11	Y088	ECROU	NUT HEXAGON	TUERCA
12	Y075	RESSORT RAPPEL AXE SELECT	SPRING	MUELLE EJE SELECTOR
13	Y004	ARBRE SELECTEUR	SHIFT SHAFT	EJE SELECTOR
14	Y044	FOURCHETTE AXE SELECTEUR	FORK SHAFTAXLE	HORQUILLA EJE SELECTOR
15	Y107	RONDELLE	WASHER	ARANDELA
16	Y095	ENTRETOISE	FORK SPACER	CASQUILLO CAMPANA
17	Y102	RONDELLE	WASHER	ARANDELA
18	Y011	CIRCLIPS ARBRE D12	CIRCLIP	CIRCLIP ARBOL
19	Y074	RESSORT RAP CDT EMBRAYAGE	SPRING TORSION	MUELLE LEVA EMBRAGUE
20	Y079	RESSORT BILLE BARILLET	SPRING	MUELLE BOLA TAMBOR
21	6295	AXE	SHAFT	EJE
22	Y101	RONDELLE M10X0,6	WASHER M10X0,6	ARANDELA M10X0,6
23	H209	SELECTEUR ALU 50 END	GEAR PEDAL ALUM. 50 ENDURO	PEDAL DE CAMBIO ALUMINIO 50 END
24	M252	VIS CHC 6 X 20 IMPREGNEE MOYEN	SCREW CHC 6 X 20 PRE IMPR. MOYEN	TORNILLO 6 X 20PRE IMPR. MOYEN
25	10152	GOUPILLE BARRILLET VITESSE	PIN RETAINER	BARRIL DE PIN
26	10156	RONDELLE BARRILLET VITESSE	WASHER SHIFT CAM	ARANDELA TAMBOR DE SELECTION

Lanceur Kickstarter assembly / Pedal arranque



POS.	50-R SM / 50-R END	FRANÇAIS	ENGLISH	ESPAÑOL
1	6556	ARBRE DE KICK	KICK STARTER SHAFT	EJE ARRANQUE
2	6555	RESSORT RAPPEL KICK	SPRING	MUELLE ARRANQUE
3	6557	MOYEU RESSORT KICK	SPRING TORSION HUB	GUÍA MUELLE ARRANQUE
4	6313	RESSORT PIGNON FOU ARB KICK	SPRING	MUELLE PIÑÓN LOCO ARRANQUE
5	Y104	RONDELLE	WASHER	ARANDELA
6	6558	PIGNON FOU ARBRE DE KICK	KICK START SLIDING GEAR	PIÑÓN LOCO EJE ARRANQUE
7	6559	PIGNON ARBRE DE KICK	STARTING GEAR	PIÑÓN EJE ARRANQUE
8	Y013	CIRCLIP 17	CIRCLIP 17	CIRCLIP 17
9	Y143	JOINT TORIQUE	O RING	TÓRICA
10	2316	KICK 50 ACIER KICK 50 ACIER	KICKSTART PEDAL 50	PEDAL DE ARRANQUE 50
11	C410	VIS CHC M6 X 25	SCREW CHC M6 X 25	TORNILLO CHC M6 X 25

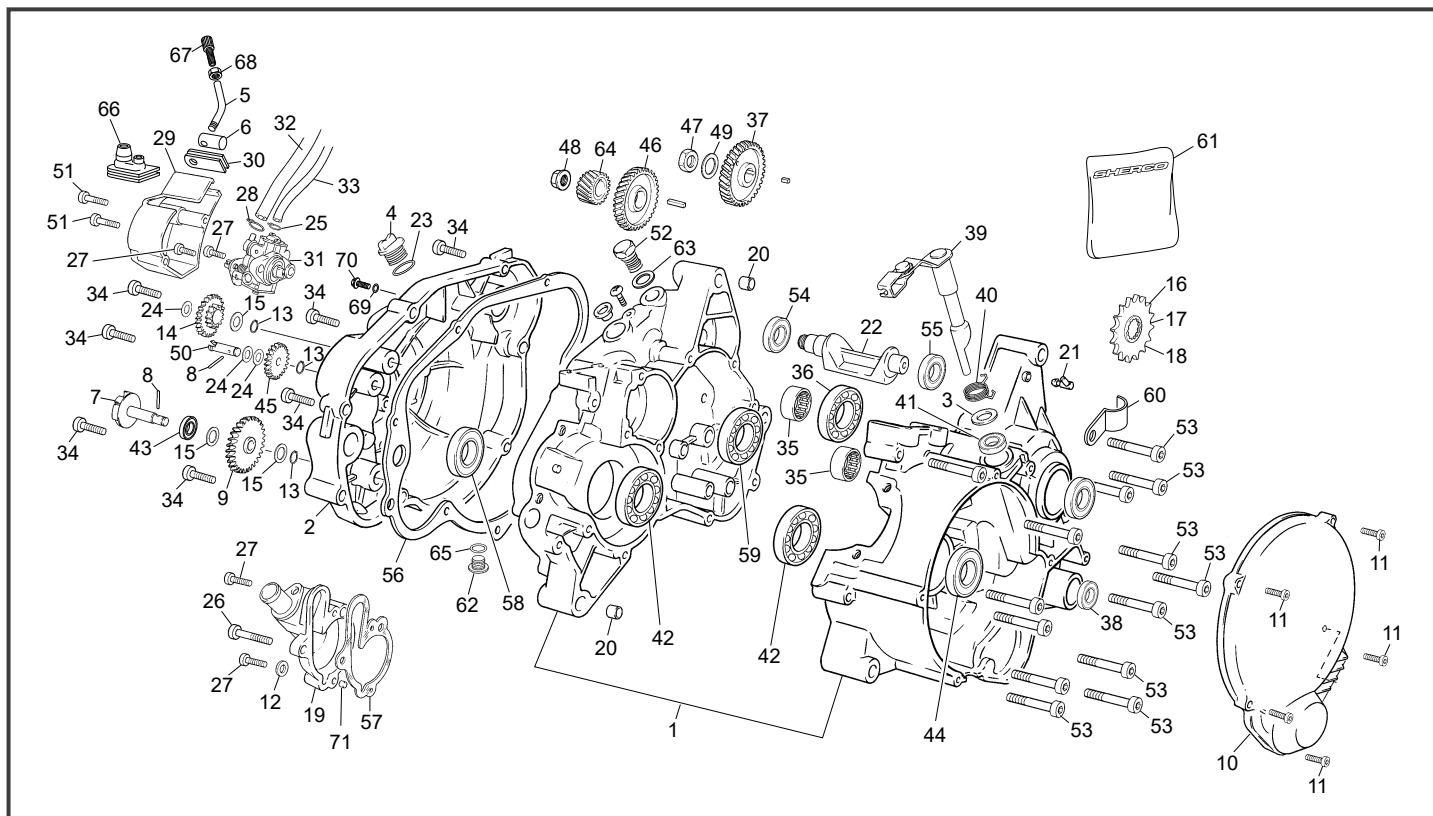
Groupe carters Crankcase assembly / Grupo carters



POS.	50-R SM / 50-R END	FRANÇAIS	ENGLISH	ESPAÑOL
1	6296	CARTER MOTEUR	CRANKCASE ASSY	CÁRTER MOTOR
2	6297	COUVERCLE CARTER EMBRA. NOIR	COVER CLUTCH SIDE BLACK	TAPA CÁRTER NEGRA
3	Y110	RONDELLE	WASHER	ARANDELA
4	Y038	BOUCHON REMPLISSAGE HUILE	OIL FILLER CAP	TAPÓN LLENADO ACEITE
5	6298	DEVIATION TUYAU HUILE	DEVIATING OIL LINE	CLIP FIJÓ
6	Y188	TENDEUR CABLE PPE HUILE	HOLDER	ENSOR CABLE
7	Y165	TURBINE PPE EALI	IMPELLER SHAFT ASSY	TURBINA BOMBA DE AGUA
8	Y172	PION CENTRAGE PPE	PIN DOWEL	CASQUILLO CENTRAJE BOMBA
9	Y065	PIGNON PPE	GEAR IMPELLER SHAFT	PIÑÓN BOMBA
10	4614	COUVERCLE CARTER ALLUMAGE NOIR	COVER FLYWEEL SIDE BLACK	TAPA CÁRTER ENCENDIO NEGRA
11	Y115	VIS BTR	SCREW BTR	TORNILLO BTR
12	Y128	RONDELLE	WASHER	ARANDELA
13	Y010	CIRCLIPS ARBRE D8	CIRCLIP	CIRCLIP ARBOL
14	Y060	PIGNON INTERMEDLAIRE	IDLE GEAR	PIÑÓN INTERMEDIO
15	Y127	RONDELLE	WASHER	ARANDELA
16	H249	PIGNON 13 D 50	FRONT SPROCKET 13 Z 50	PIÑÓN 13 D. SM
17	H109	PIGNON 12 D	FRONT SPROCKET 12 Z	PIÑÓN 12 D. END
18	H110	PIGNON 11 D ORIGINE	FRONT SPROCKET 11 Z ORIGINAL	PIÑÓN 11 D. E1
19	6301	CARTER PPE EAU	COVER HOUSING	CÁRTER BOMBA AGUA
20	10153	PION CENTRAGE	PIN DOWEL	CAS. CENTRADOR
21	Y019	RACCORD MISE	OIL BREATHER PIPE	DERIVACION TUBO ACEITE
22	Y005	BALANCIER	BALANCER	EJE DE EQUILIBRADO
23	6304	O RING BOUCHON D` HUILE	O RING OIL SCREW	JUNTA TAPA ACEITE
24	Y126	RONDELLE 8,4X16X0,6	WASHER 8,4X16X0,6	ARANDELA 8,4X16X0,6
25	Y083	CLIPS FIX DURITE	CLAMP	CLIP FIGO
26	Y119	VIS BTR M6X55	SCREW BTR M6X55	TORNILLO M6X55
27	Y116	VIS BTR M6X25	SCREW M6X25	TORNILLO M6X25
28	6305	CLIP FIXATION DURITE HUILE	OIL HOSE FIXING CLIP	CLIP FIXACION TUBOS ACEITE
29	6306	COUVERCLE PPE HUILE	COVER OIL PUMP	TAPA BOMBA ACEITE
30	6307	PASSE CABLE PPE HUILE	GROMMET	PASA CABLES
31	2910	PPE HUILE	OIL PUMP	BOMBA ACEITE
32	Y034	TUBE SORTIE HUILE L 190	HOSE OIL	TUBO SALIDA ACEITE
33	Y035	TUBE ENTREE HUILE L 345	HOSE OIL	TUBO ENTRADA ACEITE
34	Y117	VIS BTR	SCREW BTR	TORNILLO BTR
35	Y133	CAGE AIGUILLE BOITE VITESSE	NEEDLE BEARING GEAR BOX	JAUJA AGUJAS CÁMBIO
36	Y137	RLT ARBRE SECONDAIRE	BEARING DRIVE SHAFT	RODAMIENTO EJE SECUNDARIO

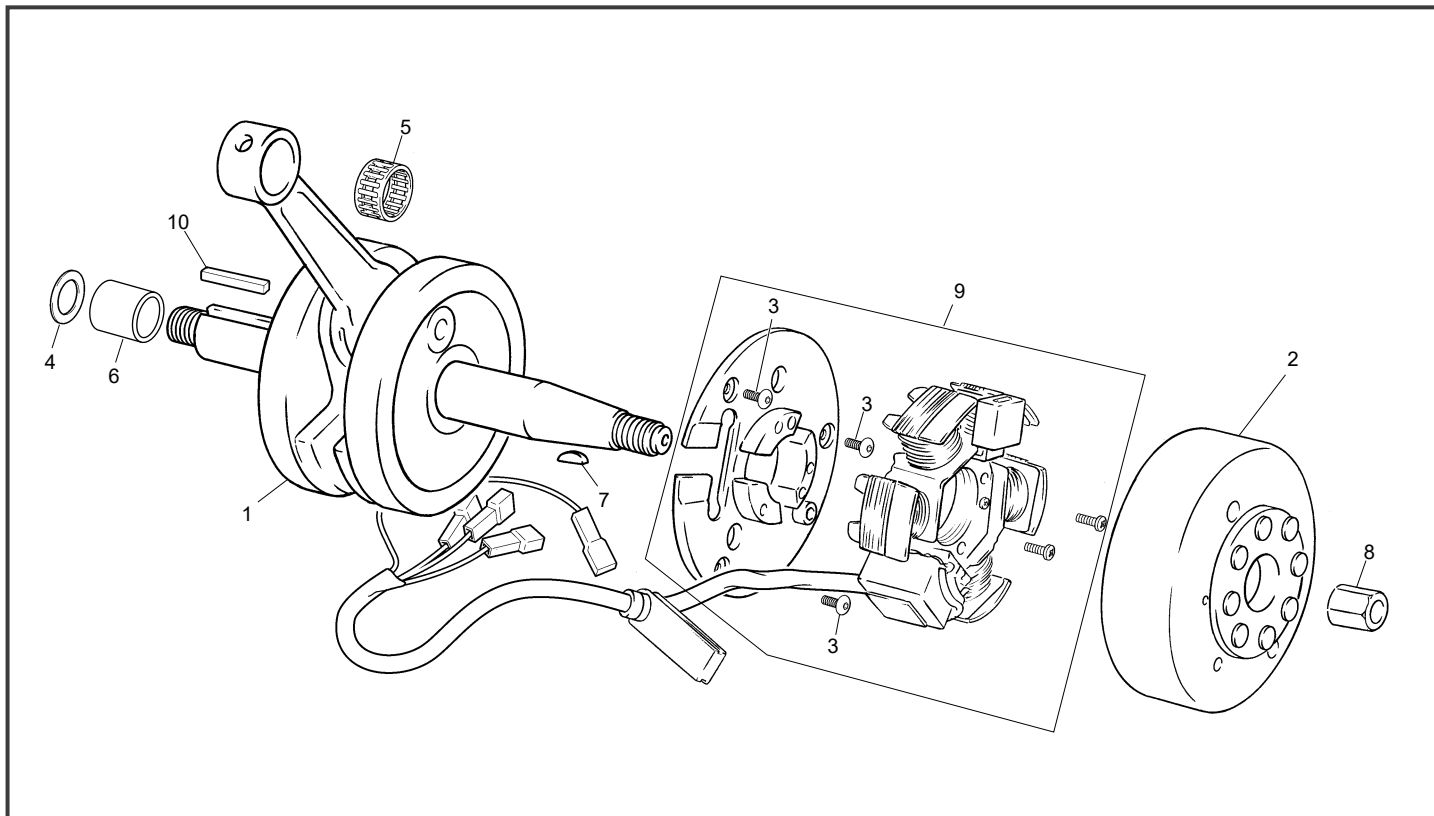
*Sherco se réserve les droits de modification des références, merci de contrôler sur le portail Sherconetwork avant toute commande. - *Sherco reserves the right to make change on the references, please check on your Sherconetwork portal before ordering.
*Sherco se reserva el derecho para hacer modificaciones sobre las referencias. Por favor, verifica en el Sherconetwork antes de hacer un pedido.

Groupe carters Crankcase assembly / Grupo carters

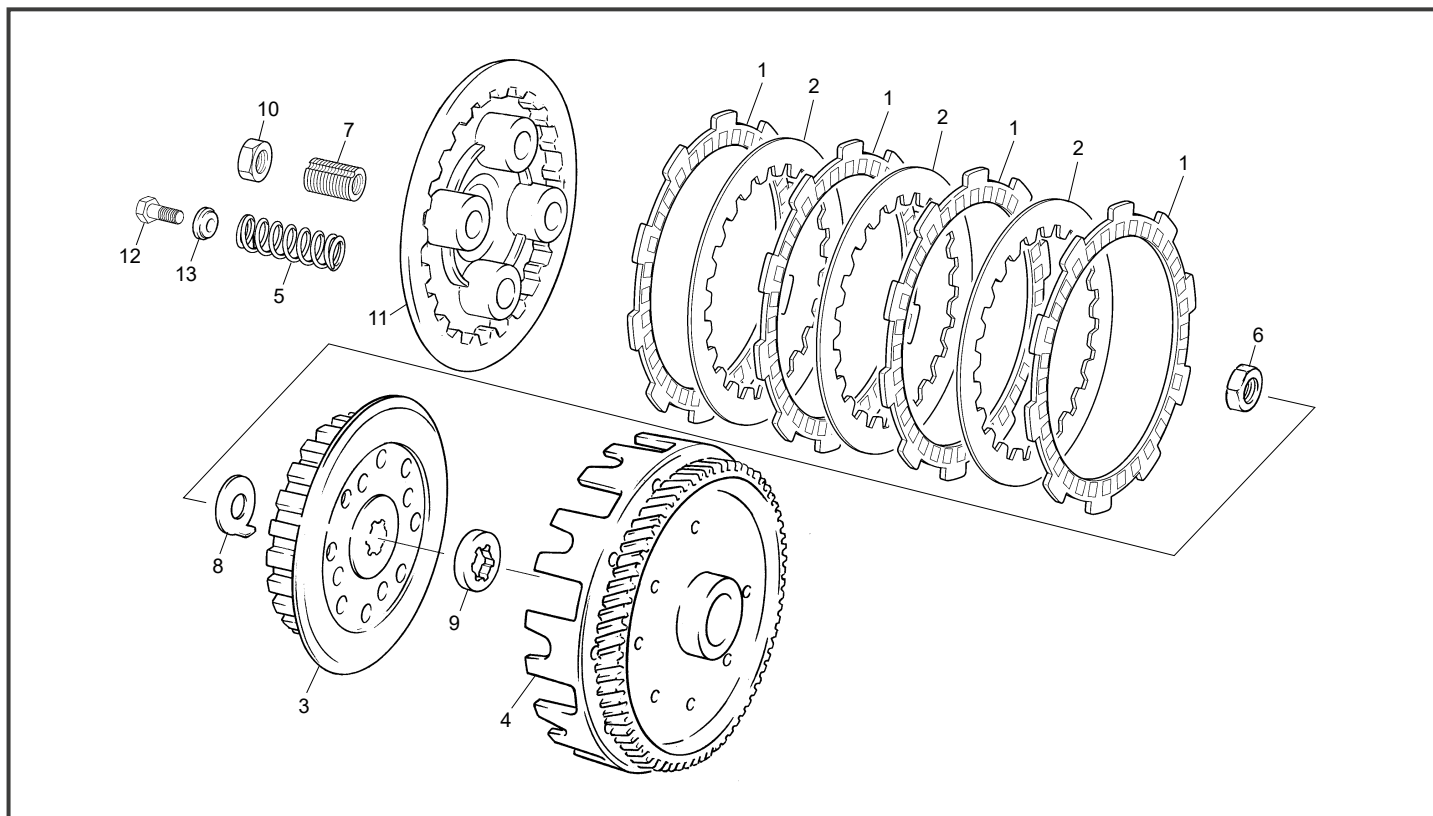


POS.	50-R SM / 50-R END	FRANÇAIS	ENGLISH	ESPAÑOL
37	Y063	PIGNON	GEAR	PIÑÓN
38	Y158	JOINT SPI	SEAL RING	RETÉN CIGÜEÑAL
39	Y070	LEVIER EMBRAYAGE	PUSH LEVER ASSY	LEVA EMBRAGUE
40	Y076	RESSORT RAP CDT EMBRAYAGE	SPRING TORSION	MUELLE LEVA EMBRAGUE
41	Y159	JOINT SPI EMBRAYAGE	OIL SEAL	RETÉN LEVA EMBRAGUE
42	Y139	RLT VILLO	BEARING CRANKSHAFT	RODAMIENTO CIGÜEÑAL
43	Y161	JT SPI PPE EAU	OIL SEAL	RETÉN BOMBA DE AGUA
44	Y160	JT SPI VILLO GAUCHE	OIL SEAL LEFT	RETÉN CIGÜEÑAL IZQUIERDO
45	Y064	PIGNON PPE HUILE	PUMP DRIVE GEAR	PIÑÓN BOMBA ACEITE
46	Y062	PIGNÓN ENTRAINEMENT BALA.	GEAR DRIVE	PIÑÓN ENTRONQUE EQUILIBRADO
47	Y091	ECROU H5 CH 17	NUT HEXAGON	TUERCA
48	Y092	ECROU	NUT HEXAGON	TUERCA
49	Y103	RONDELLE H 11,5 CH17	WASHER H 11,5 CH17	ARANDELA H 11,5 CH17
50	Y178	ARBRE POMPE HUILE	PIN	EJE BOMBA ACEITE
51	6299	VIS BTR MSX35 ZN	SCREW BTR MSX35 ZN	TORNILLO BTR MSX35 ZN
52	Y122	VIS TH	SCREW HEXAGON HEAD	TORNILLO
53	Y118	VIS BTR	SCREW BTR	TORNILLO BTR
54	Y138	RLT ARBRE BALANCIER DROITE	BEARING RIGHT	RODAMIENTO EJE BALANCE DERECHO
55	Y135	RLT ARBRE BALANCIER GAUCHE	BEARING LEFT	RODAMIENTO EJE BALANCE IZQU.
56	Y151	JOINT COUVERCLE EMBRAYAGE	CLUTCH COVER GASKET	JUNTA TAPA EMBRAGUE
57	Y152	JOINT COUVERCLE POMPE EAU	PUMP WATER COVER GASKET	JUNTA TAPA BOMBA AGUA
58	Y162	JR SPI VILLO DROIT	OIL SEAL CRANKSHAFT RIGHT	RETEN CIGÜEÑAL EMBRAGUE
59	Y136	RLT ARBRE PRIMAIRE	BEARING MAIN SHAFT	RODAMIENTO EJE PRIMARIO
60	Y040	CROCHET DURITES	CARBURETOR HOSES HOOK	GANCHO MANGUITOS CABURADOR
61	Y208	SET JOINT	GASKET KIT	JUEGO JUNTAS
62	Y121	VIS TH VIDE	EMPTYING SCREW	TORNILLO VACIADO
63	Y153	JOINT VIS TH	GASKET SCREW TH	JUNTA TORNILLO TH
64	6560	PIGNON Z20	SPROCKET Z20	PIÑÓN MOTOR Z20
65	Y155	JOINT ALU 8 X 14 X 1	WASHER PLAIN 8 X14 X1 AL	ARANDELA ALUMINIO 8X14X1
66	6300	GOMME DURITE PPE À HUILE	OIL PUMP HOSES RUBBER	PASA TUBOS BOMBA ACEITE
67	6302	TENDEUR CABLE PPE À HUILE	OIL PUMP CABLE TENSIONER	TENSOR DE CABLE BOMBA ACEITE
68	6303	ECROU TENDEUR PPE À HUILE	OIL PUMP TENSIONER NUT	TUERCA TENSOR BOMBA ACEITE
69	10150	JOINT VIS NIVEAU HUILE	GASKET OIL SCREW	JUNTA DE TORNILLO DE NIVEL
70	10157	VIS NIVEAU HUILE	OIL LEVEL SCREW	TORNILLO DE NIVEL DE ACEITE
71	10154	PION DE CENTRAGE POMPE A EAU	DOWEL WATER PUM	CASQUILLO CENTRAJE BOMBA DE AGUA

Vilebrequin assemble Crankshaft assembly / Cigüeñal biela

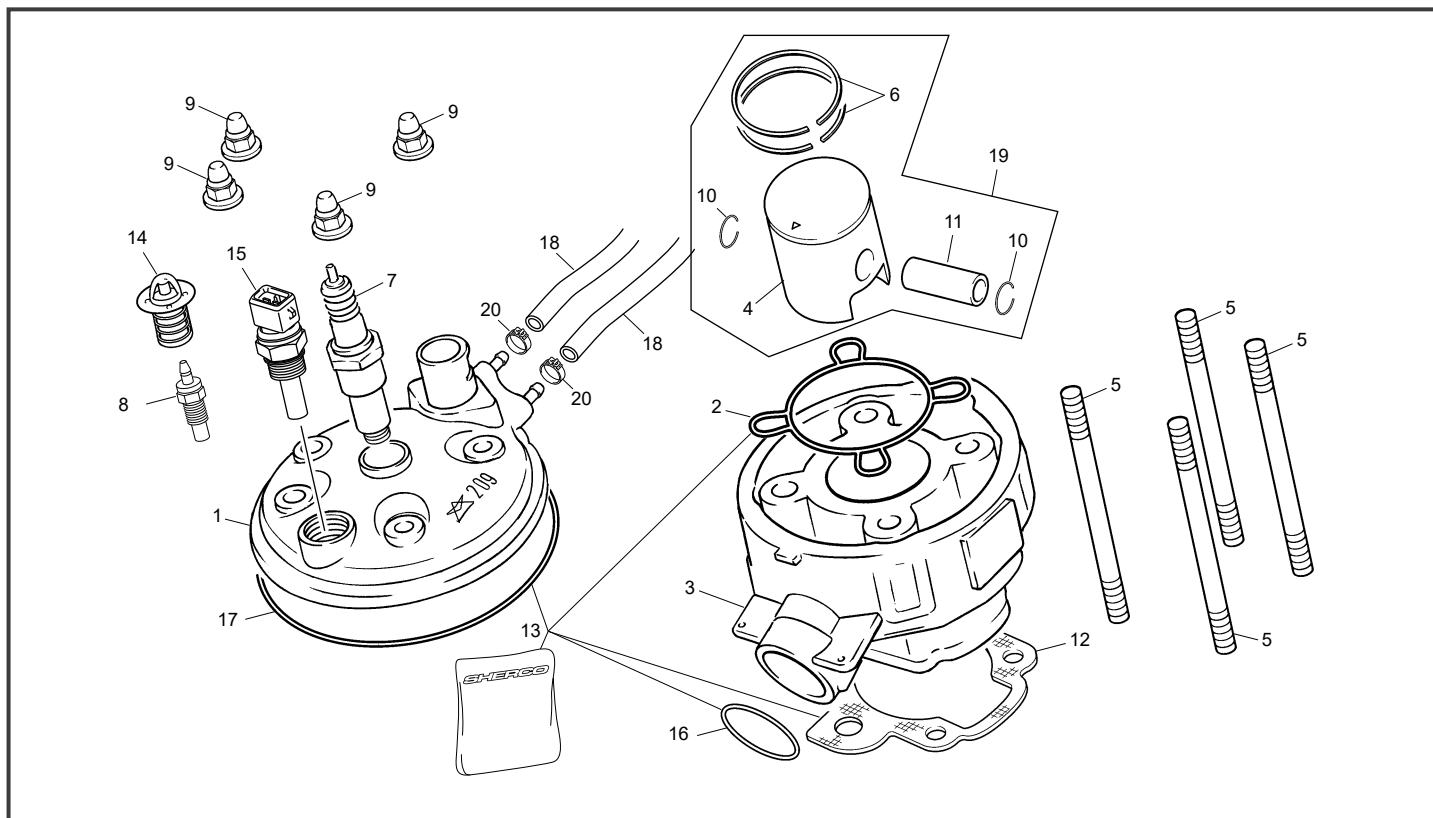


POS.	50-R SM / 50-R END	FRANÇAIS	ENGLISH	ESPAÑOL
1	10147	EMBIELLAGE COMPLET	CRANKSHAFT ASSY	CONJUNTO CIGÜEÑAL
2	4643	ROTOR EVO	ROTOR EVO	ROTOR EVO
3	Y123	VIS TH	SCREW HEXAGON HEAD	TORNILLO DIN 912
4	Y143	JOINT TORIQUE	O RING	TÓRICA
5	Y140	CAGE AIGUILLE PISTON	NEEDLE BEARING	COJINETE AGUJAS PISTÓN
6	6561	ENTRETOISSE VILO	CRANKSHAFT SPACER	CASQUILLO CIGÜEÑAL
7	Y087	VIS BTR	SCREW BTR	CHAVETA VOLANTE ENCEN. TUERCA
8	Y093	ECROU	NUT HEXAGON	TUERCA
9	10146	STATOR EVO	STATOR EVO	STATOR EVO
10	Y086	CLAUETTE PIGNON UILLO	KEY	CHAVETA GRANDE



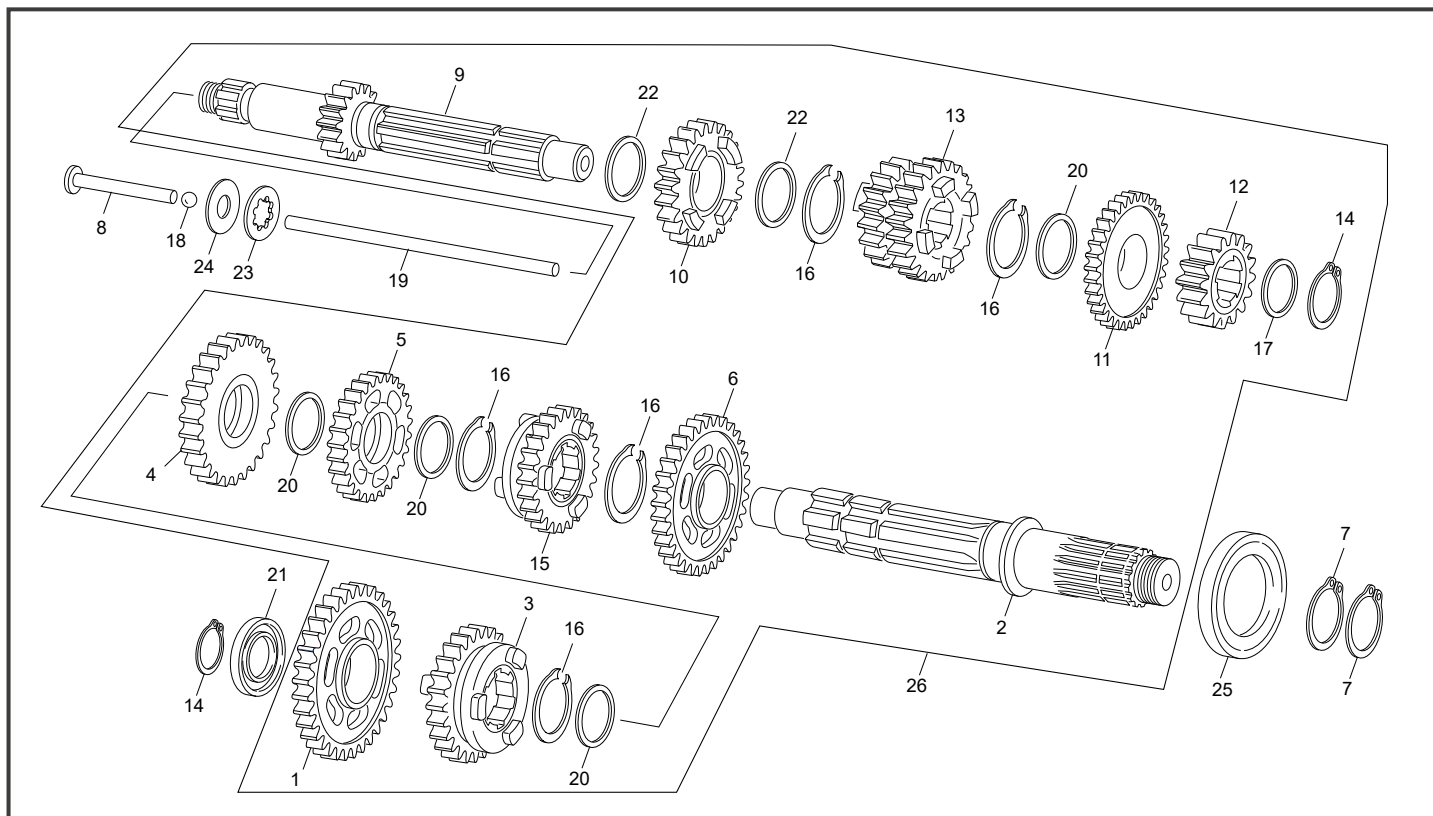
POS.	50-R SM / 50-R END	FRANÇAIS	ENGLISH	ESPAÑOL
1	6319	DISQUE EMBRAYAGE GARNI	FRICTION PLATE	DISCO FORRADO
2	6369	DISQUE EMBRAYAGE LISSE	PLATE CLUTCH	DISCO LISO
3	Y069	NOIX EMBRAYAGE	CLUTCH HUB	MAZA EMBRAGUE
4	Y068	CLOCHE EMBRAYAGE AV PIGN.	CLUTCH BASKET ASSEMBLY	CAMPANA EMBRAGUE CON PIÑÓN
5	Y072	RESSORT EMBRAYAGE	SPRING PRESSURE	MUELLE EMBRAGUE
6	Y090	ECROU INTERIEUR EMBRAYAGE	NUT	TUERCA INTERIOR EMBRAGUE
7	Y111	VIS TH	SCREW	TORNILLO HEXAGONAL
8	Y109	RONDELLE	WASHER LOCK	ARANDELA ESPECIAL
9	Y096	ECROU H7 CH 17	NUT HEXAGON	TUERCA
10	Y089	ECROU	NUT HEXAGON	TUERCA
11	Y046	PLAQUE PRESSION EMBRAYAGE	PRESSURE PLATE	PLACA PRESIÓN EMBRAGUE
12	9988	VIS TH	SCREW HEXAGON HEAD	TORNILLO DIN 912
13	Y108	RONDELLE	WASHER	ARANDELA

Cylindre-Culasse Cylinder-Cylinder head / Cilindro-Culata



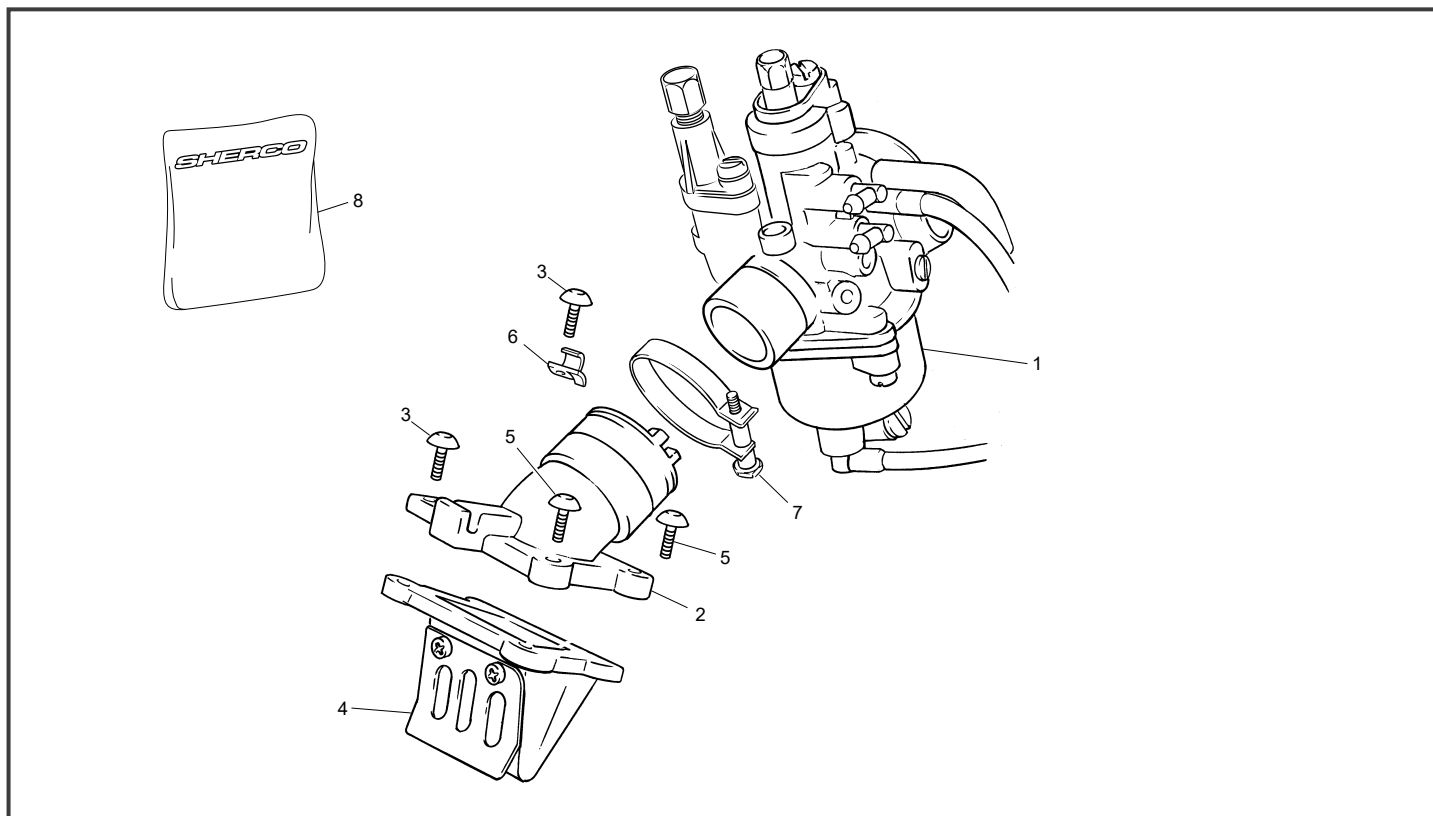
POS.	50-R SM / 50-R END	FRANÇAIS	ENGLISH	ESPAÑOL
1	Y209	CULASSE	HEAD CYLINDER	CULATA
2	Y148	JOINT DE CULASSE	CYLINDER HEAD	JUNTAS CULATA
3	Y024	CYLINDRE D40.3 112 RAF LIQUI. CATA.	CYLINDER CATA.	CILINDRO CATA.
4	6479	PISTON D 40.3	PISTON	PISTÓN
5	6480	GOUJON CYLINDRE	CYLINDRE STUD	PERNO CILINDRO
6	6371	SEGMENTD 40.3	PISTON RING SET STD	ARO
7	6481	BOUGIE NGK BR9 ES	SPARKPLUG	BUJÍA
8	Y113	VIS THERMOSTAT	THERMOSTAT SCREW	TORNILLO TERMOSTATO
9	6372	ECROU AUTOBLOCK	NUT CAP	TUERCA
10	Y009	CLIP PISTON	PISTON CIRCLIP	CIRCLIP ARBOL
11	Y175	AXE PISTON	PISTON PIN	BULÓN PISTÓN
12	Y164	JOINT DE CYLINDRE	CYLINDER GASKET	JUNTAS CILINDRO
13	Y773	JEUX DE JOINTS	GASKET KIT	JUEGO JUNTAS CILINDRO
14	Y167	THERMOSTAT	THERMOSTAT	TERMOSTATO
15	7529	SONDE TEMPERATURE EAU 50	WATHER TEMP. SENSOR 50	SONDA TEMPERATURA AGUA 50
16	Y150	JOINT DE POT	EXHAUST GASKET	JUNTA ESCAPE
17	Y149	TORIQUE CULASSE	HEAD CYLINDER GASKET	JUNTA TÓRICA CULATA
18	8439	DURITE CARBURATEUR CULASSE	RUBBER TUBE CARB. CYLINDER HEAD	MANGUITO CULATA CARBURADOR
19	Y185	PISTON D 40.3 COMPLET	PISTON SET	PISTON JUEGO
20	10155	COLLIER DURITE REFROIDISSEMENT	COLLAR HOSE RADIATOR	BRIDA TUBO RADIADOR

Boite a vitesses Gear set / Cambio



POS.	50-R SM / 50-R END	FRANÇAIS	ENGLISH	ESPAÑOL
1	5787	PIGNON DEUXIEME PREMIERE	GEAR 1ND	PIÑÓN 1
2	5788	ARBRE SECONDAIRE	AXLE DRIVE	EJE SEGUNDARIO
3	5789	PIGNON CINQUIEME	GEAR 5TH	PIÑÓN 5
4	5790	PIGNON TROISIEME	GEAR 3RD	PIÑÓN 3
5	5791	PIGNON QUATRIEME	GEAR 4TH	PIÑÓN 4
6	5792	PIGNON DEUXIEME	GEAR 2ST	PIÑÓN 2
7	Y014	CIRCLIPS ARBRE D20	CIRCLIP	CIRCLIP ARBOL D20
8	Y174	TIGE POUSSE EMBRAYAGE	ROD, PUSH	VARILLA PULSADOR EMBRAGUE
9	5786	ARBRE PRIMAIRE	AXLE MAIN	EJE PRIMARIO
10	5793	PIGNON CINQUIEME	GEAR 5TH PINION	PIÑÓN 5
11	5794	PIGNON SIXIEME	GEAR 6TH PINION	PIÑÓN 6
12	5795	PIGNON SECONDE	GEAR 2ND PINION	PIÑÓN 2
13	5796	PIGNON TROISIEME QUATRIEME	GEAR 3RD/4TH PINION	PIÑÓN 3/4
14	5797	CIRCLIPS ARBRE D14	CIRCLIP 14	CIRCLIP ARBOL 14D
15	5798	PIGNON SIXIEME	GEAR 6TH	PIÑÓN 6
16	5799	CIRCLIPS ARBRE D20	CIRCLIP	CLIP FIJO
17	5803	RONDELLE PLEINE	WASHER	ARANDELA
18	Y141	BILLE TIGE EMBRAYAGE	ROD PUSH BALL	BOLA VARILLA EMBRAGUE
19	Y166	TIGE EMBRAYAGE	ROD PUSH	VARILLA EMBRAGUE
20	5800	RONDELLE	WASHER	ARANDELA
21	5801	RONDELLE	WASHER	ARANDELA
22	5802	RONDELLE PLEINE	WASHER	ARANDELA PLANA
23	Y078	RONDELLE RESSORT	WASHER CONICAL SPRING	ARANDELA MUELLE
24	Y105	RONDELLE	PLATE THRUST	ARANDELA
25	Y163	JT SPI ARBRE SECONDAIRE	OIL SEAL	RETÉN EJE SEGUNDARIO
26	10149	BOITE A VITESSE COMPL E5	GEAR BOX ASSY E5	CAJA DE CAMBIOS COMPLETA E5

Carburateur Carburetor / Carburador



POS.	50-R SM / 50-R END	FRANÇAIS	ENGLISH	ESPAÑOL
1	T0145	CARBURETEUR PHBN16 E5	CARBURETOR PHBN16 E5	CARBURADOR PHBN16 E5
2	Y211	PIPE ADMISSION PLASTIQUE	MANIFOLD PLASTIC	TOBERA ADMISIÓN PLÁSTICO
3	Y130	VIS M6X20	SCREW M6X20	TORNILLO M6X20
4	Y180	BOÎTE À CLAPET	REED VALVE ASSY	CAJA DE LÁMINAS COMPLETA
5	Y131	VIS BTR	SCREW BTR	TORNILLO DIN 912
6	Y187	ARRET DE CABLE	HOLDER	TOPE CABLE EMBRAGUE
7	Y081	COLLIER NORMA 30/45	COLLAR NORMA 30/45	ABRAZADERA 30/45
8	T0238	KIT JOINT CARBURATEUR PHBN 16	CARBURATOR SEALS KIT PHBN 16	JUEGO JUNTAS CARBURADOR PHBN 16

SHERCO



WWW.SHERCO.COM

MOTUL

KENNY

AIROH

GAEERNE

KYB
... Technical Touch

MICHELIN

POLISPORT
RACING EQUIPMENT

VERTEX
RACING EQUIPMENT

GALFER

FUF

AKRAPOVIC

BS
BATTERY

UNIRACING

XRADICAL
SUPER GASKETS

AFAM

SCAR