

SHERCO

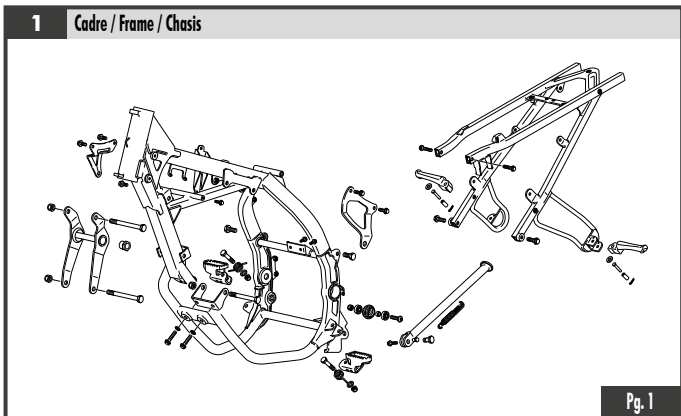


SPARE PARTS BOOK

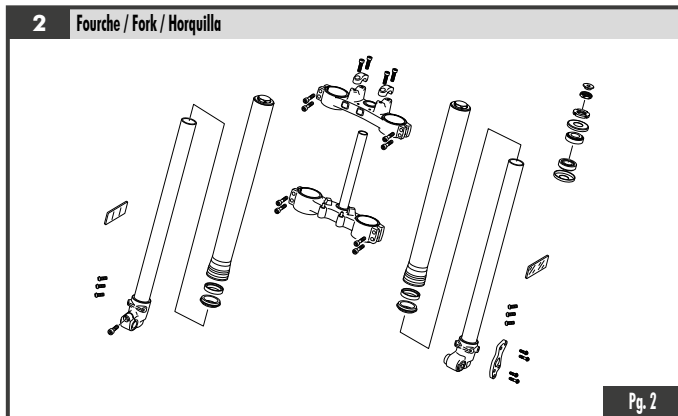
SPARE PARTS BOOK '24

125 HRD SM-SE FACTORY

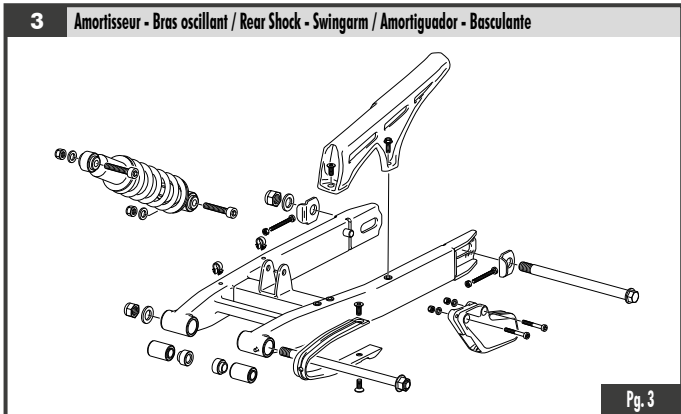
1 Cadre / Frame / Chasis



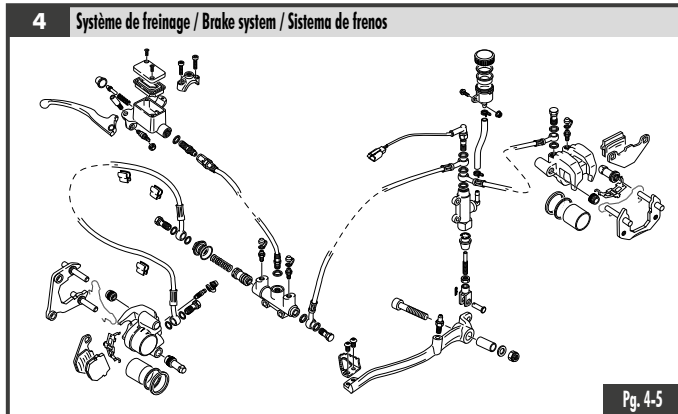
2 Fourche / Fork / Horquilla



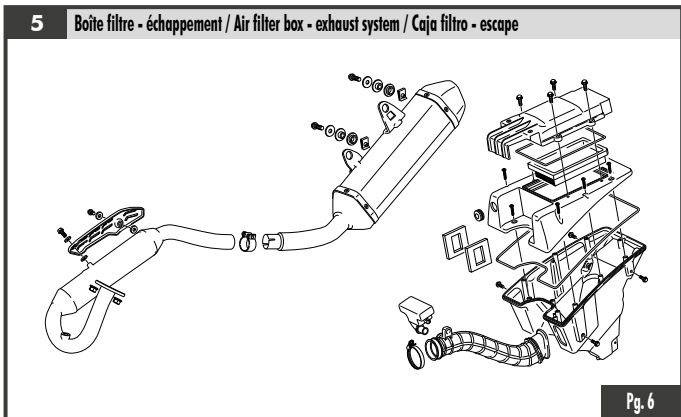
3 Amortisseur - Bras oscillant / Rear Shock - Swingarm / Amortiguador - Basculante



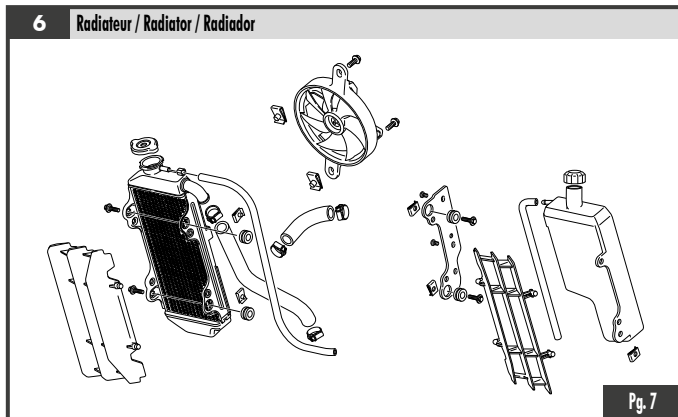
4 Système de freinage / Brake system / Sistema de frenos



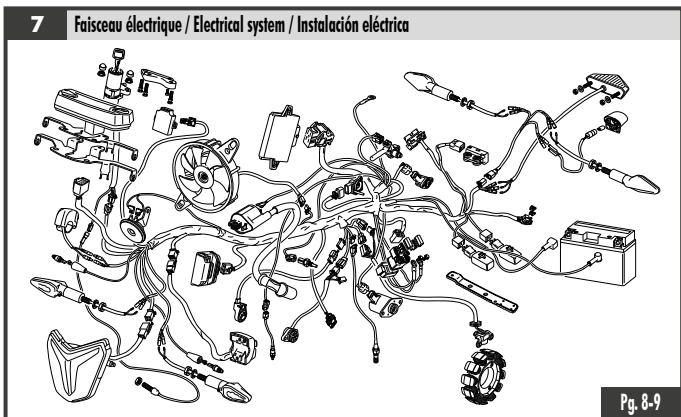
5 Boîte filtre - échappement / Air filter box - exhaust system / Caja filtro - escape



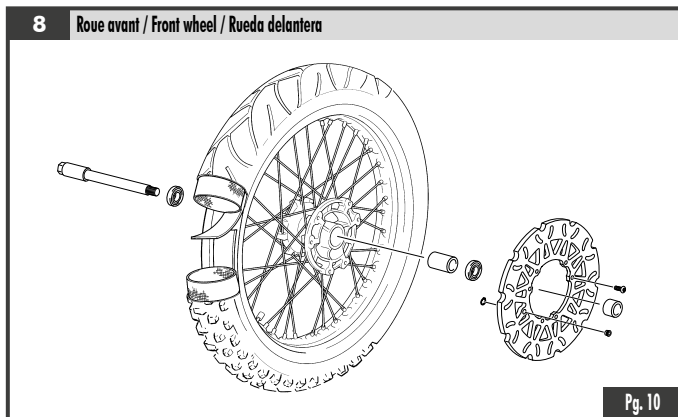
6 Radiateur / Radiator / Radiador



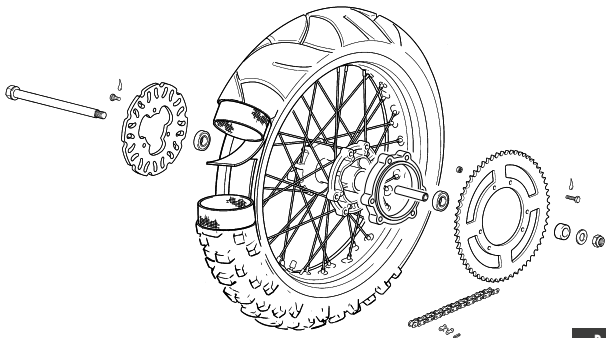
7 Faisceau électrique / Electrical system / Instalación eléctrica



8 Roue avant / Front wheel / Rueda delantera

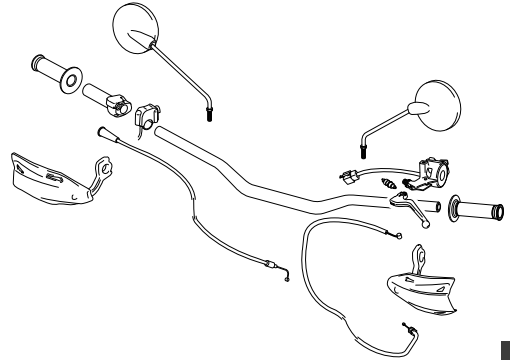


9 Roue arrière / Rear wheel / Rueda trasera



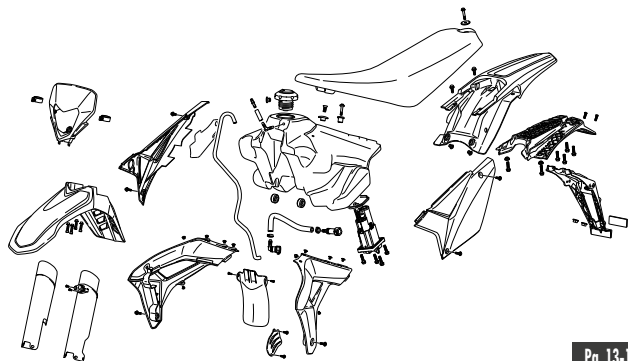
Pg. 11

10 Guidon / Handlebar / Manillar



Pg. 12

11 Plastiques / Plastics / Plásticos



Pg. 13-14

12 Adhésif / Sticker / Adhesivo - FACTORY



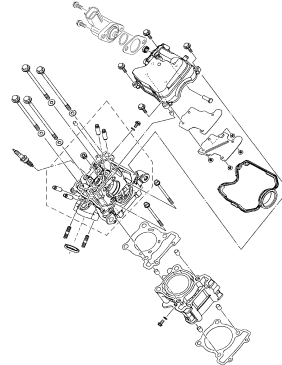
Pg. 15

13 Adhésif / Sticker / Adhesivo - BLACK MOON



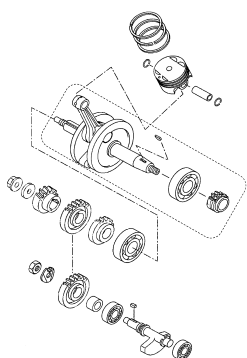
Pg. 16

14 Cylindre-Culasse / Cylinder-Cylinder head / Cilindro-Culata



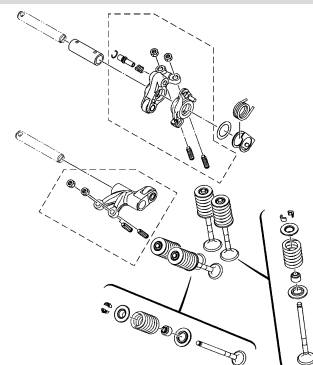
Pg. 17

15 Vilebrequin assemblé / Crankshaft assy / Cigüeñal



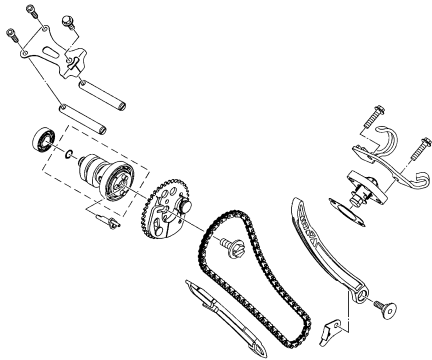
Pg. 18

16 Soupapes / Valves / Válvulas



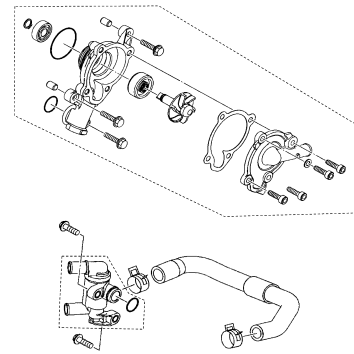
Pg. 19

17 Systeme distribution / Distribution system / Sistema de distribución



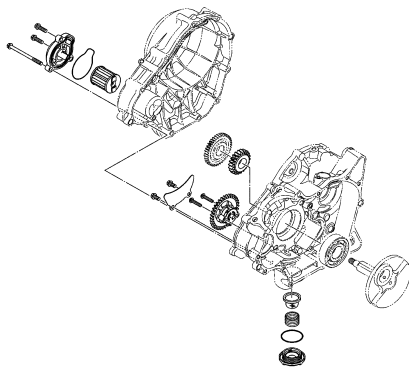
Pg. 20

18 Pompe à eau / Water pump / Bomba de agua



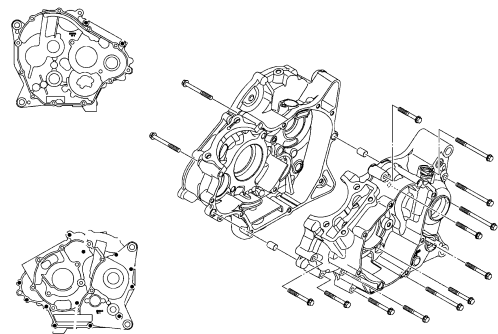
Pg. 21

19 Pompe à huile / Oil pump / Bomba de aceite



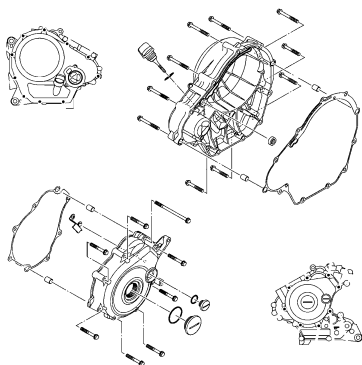
Pg. 22

20 Carters centraux / Central crankcase / Cártel central



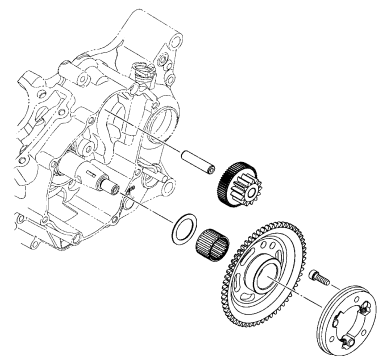
Pg. 23

21 Carters lateraux / Lateral crankcase / Cártel lateral



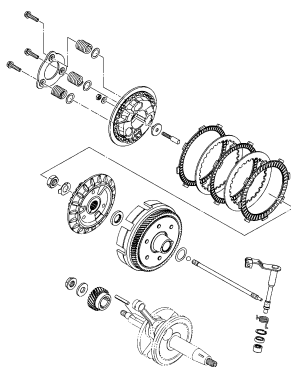
Pg. 24

22 Démarreur / Starter motor / Motor de arranque



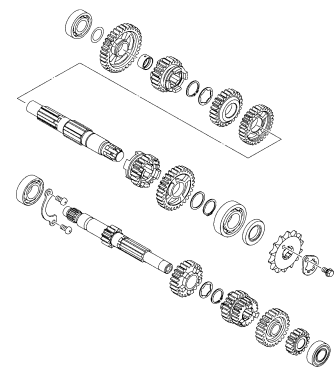
Pg. 25

23 Embayage / Clutch / Embrague



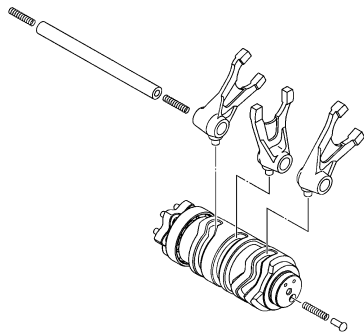
Pg. 26

24 Boîte de vitesse / Gear set / Cambio



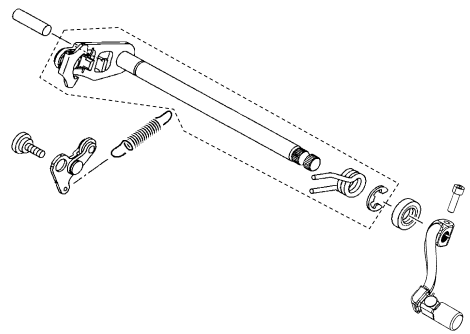
Pg. 27

25 Selection / Selector / Selector



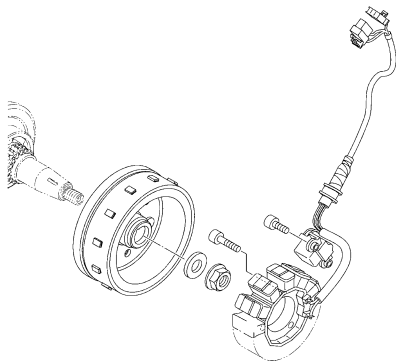
Pg. 28

26 Sélecteur / Gear selector group / Selector cambio



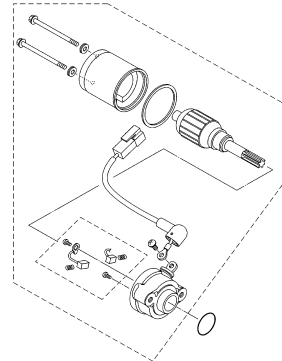
Pg. 29

27 Ensemble allumage / Ignition system / Sistema de encendido



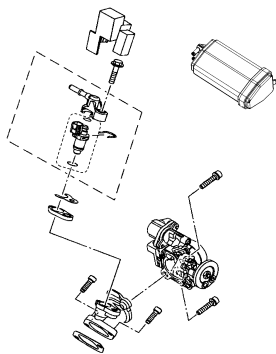
Pg. 30

28 Démarreur / Starter motor / Motor de arranque



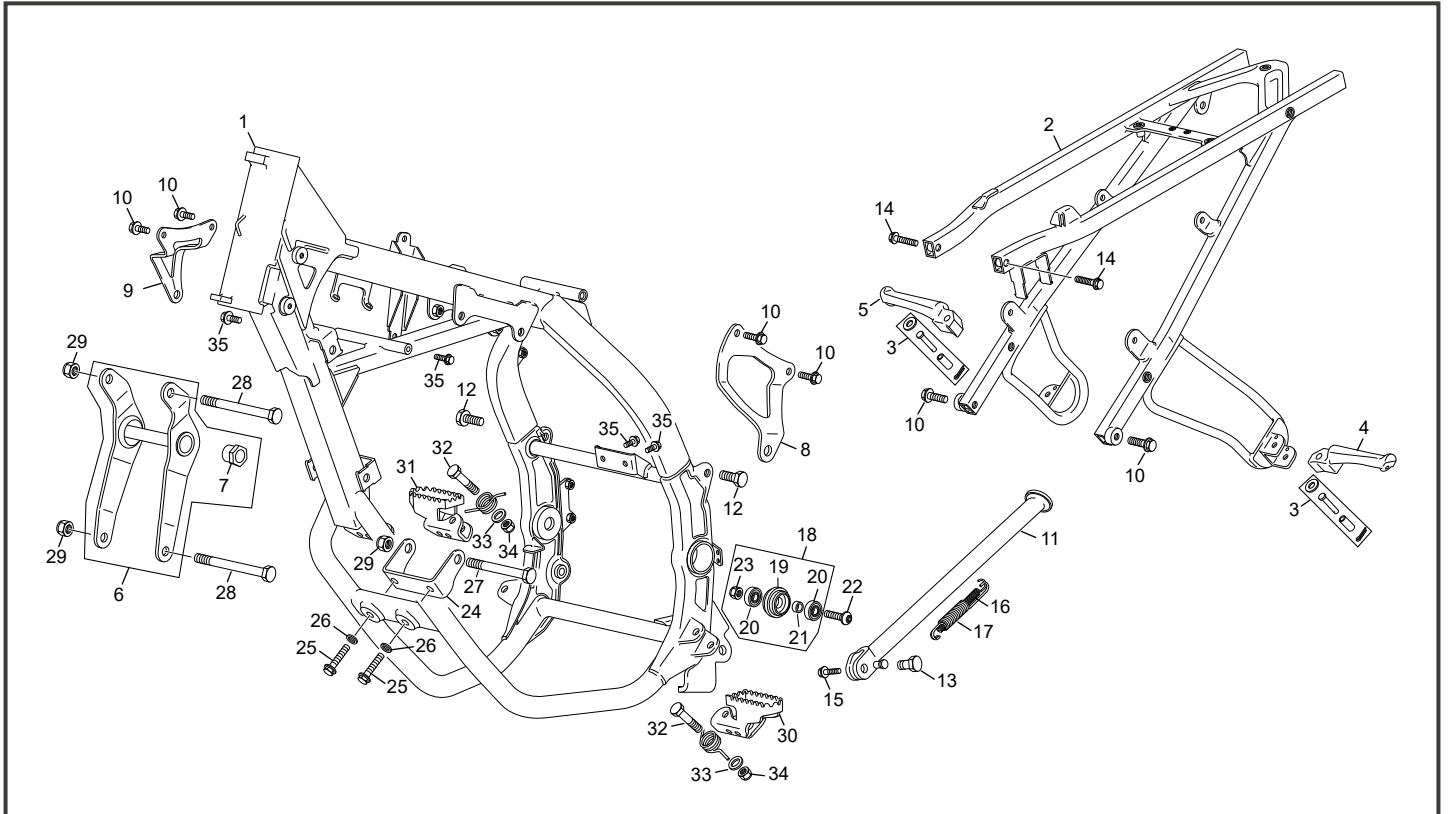
Pg. 31

29 Corps d'injection / Injector body / Cuerpo de inyección



Pg. 32

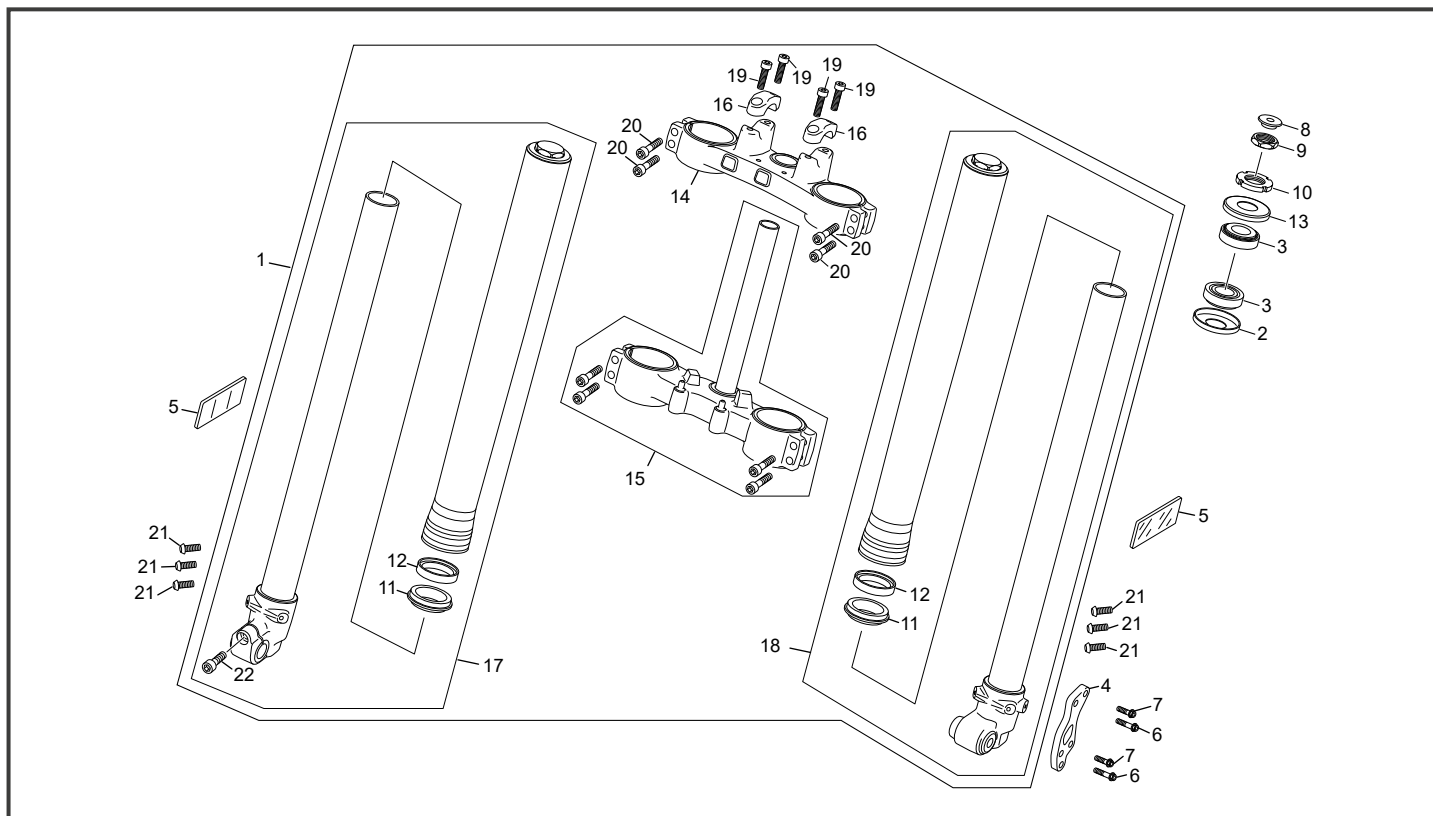
Cadre Frame / Chasis



POS.	HRD-SM-FACT-RS	HRD-SE-FACT-RS	FRANÇAIS	ENGLISH	ESPAÑOL
1	8990	8990	CHASSIS	FRAME	CHASIS
2	8991	8991	BERCEAU	SUB FRAME	SOPORTE SILLIN
3	10492	10492	KIT AXE REPOSE PIED PASSAGER	REAR FOOTREST AXLE KIT	KIT EJE ESTRIBERAS PASAJERO
4	10674	10674	REPOSE PIED GAUCHE PASSAGER	LEFT PASSANGER FOOTREST	ESTIBERA IZQ. PASAJERO
5	10673	10673	REPOSE PIED DROIT PASSAGER	RIGHT PASSENGER FOOTREST	ESTIBERA DER. PASAJERO
6	10311	10311	SUPPORT MOTEUR AR + ECROU ENTRETOISE	REAR ENGINE SUPPORT + SPACER	SOPORTE MOTOR TRASERO + CASQUILLO
7	10316	10316	ECROU ENTRETOISE	SWING ARM NUT	TUERCA BASCULANTE
8	10310	10310	SUPPORT CULASSE GAUCHE	LEFT CYLINDER HEAD SUPPORT	SOPORTE CULATA IZQUIERDO
9	10309	10309	SUPPORT CULASSE DROITE	RIGHT CYLINDER HEAD SUPPORT	SOPORTE CULATA DERECHO
10	3363	3363	VIS THEP M8X20	SCREW TH EP M8 X 20	TORNILLO TH EP M8 X 20
11	10592	11110	BEQUILLE SM/SE	SIDE STAND SM/SE	CABALLETE SM/SE
12	11626	11626	VIS TH EP EMBASE M10 X 1.25 X 30	SCREW TH EP EMBASE M10 X 1.25 X 30	TORNILLO TH EP EMBASE M10 X 1.25 X 30
13	H111	H111	AXE BEQUILLE	SIDE STAND SCREW	TORNILLO CABALLETE
14	3254	3254	VIS THEP M8X35	SCREW THEP M8X35	TORNILLO THEP M8X35
15	0970	0970	VIS THEP M6X25	SCREW THEP M6X25	TORNILLO THEP M6X25
16	3086	3086	RESSORT DE BEQUILLE INT	STAND INSIDE SPRING	MUELLE CABALLETE INT
17	3085	3085	RESSORT BEQUILLE EXT	STAND OUTSIDE SPRING	MUELLE CABALLETE EXT
18	5549	5549	GALET DE CHAINE END COMPLET	CHAIN ROLLER KIT	ROLO CADENA CONJUNTO
19	0231	0231	GALET DE CHAINE END	CHAIN ROLLER	ROLO CADENA
20	M027	M027	ROULEMENT À BILLE 608.2RSH	BALL BEARING 608.2RSH	COJINETE DE RODAMIENTO 608.2RSH
21	0556	0556	DOUILLE GALET CHAINE END	SPACER CHAIN ROLLER	CASQUILLO ROLO CADENA
22	1028	1028	VIS BHC M8X35	SCREW BHC M8X35	TORNILLO BHC M8X35
23	M305	M305	ECROU NYLSTOP M8	NYLSTOP NUT	TUERCA NYLSTOP
24	11010	11010	SUPPORT MOTEUR AV	FRONT ENGINE SUPPORT	SOPORTE MOTOR DELANTERO
25	3254	3254	VIS THEP M8X35	SCREW THEP M8X35	TORNILLO THEP M8X35
26	1432	1432	RONDELLE AET 8	WASHER X AET 8	ARANDELA AET 8
27	11060	11060	VIS H M10X100	SCREW H M10X100	TORNILLO M10X100
28	11059	11059	VIS H M10X120	SCREW H M10X120	TORNILLO M10X120
29	M304	M304	ECROU NYLSTOP M10	NYLSTOP NUT M10	TUERCA NYLSTOP M10
30	H174	H174	CALE PIED GAUCHE	LEFT FOOTREST	ESTRIBO IZQUIERDO
31	H175	H175	CALE PIED DROIT	RIGHT FOOTREST	ESTRIBO DERECHO
32	C422	C422	VIS H 8 X 45	SCREW H 8X45	TORNILLO H 8X45
33	C430	C430	RONDELLE M8	M8 WASHER	M8 ARANDELLA
34	M305	M305	ECROU NYLSTOP M8	NYLSTOP NUT M8	TUERCA NYLSTOP M8
35	0656	0656	VIS THEP M6X16	SCREW THEP M6X16	TORNILLO THEP M6X16

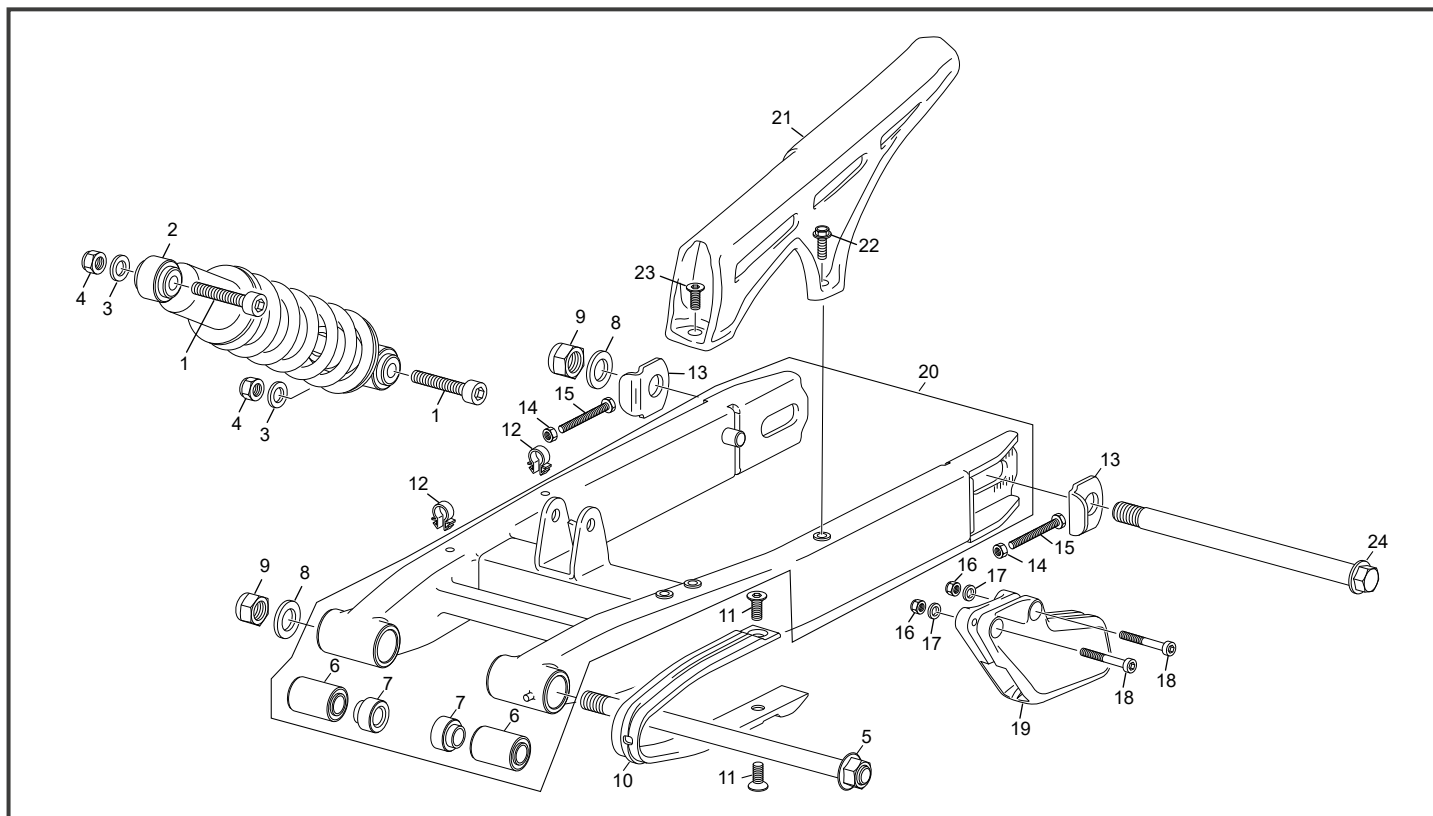
*Sherco se réserve les droits de modification des références, merci de contrôler sur le portail Sherconetwork avant toute commande. - *Sherco reserves the right to make change on the references, please check on your Sherconetwork portal before ordering.
*Sherco se reserva el derecho para hacer modificaciones sobre las referencias. Por favor, verifica en el Sherconetwork antes de hacer un pedido.

Fourche Fork / Horquilla



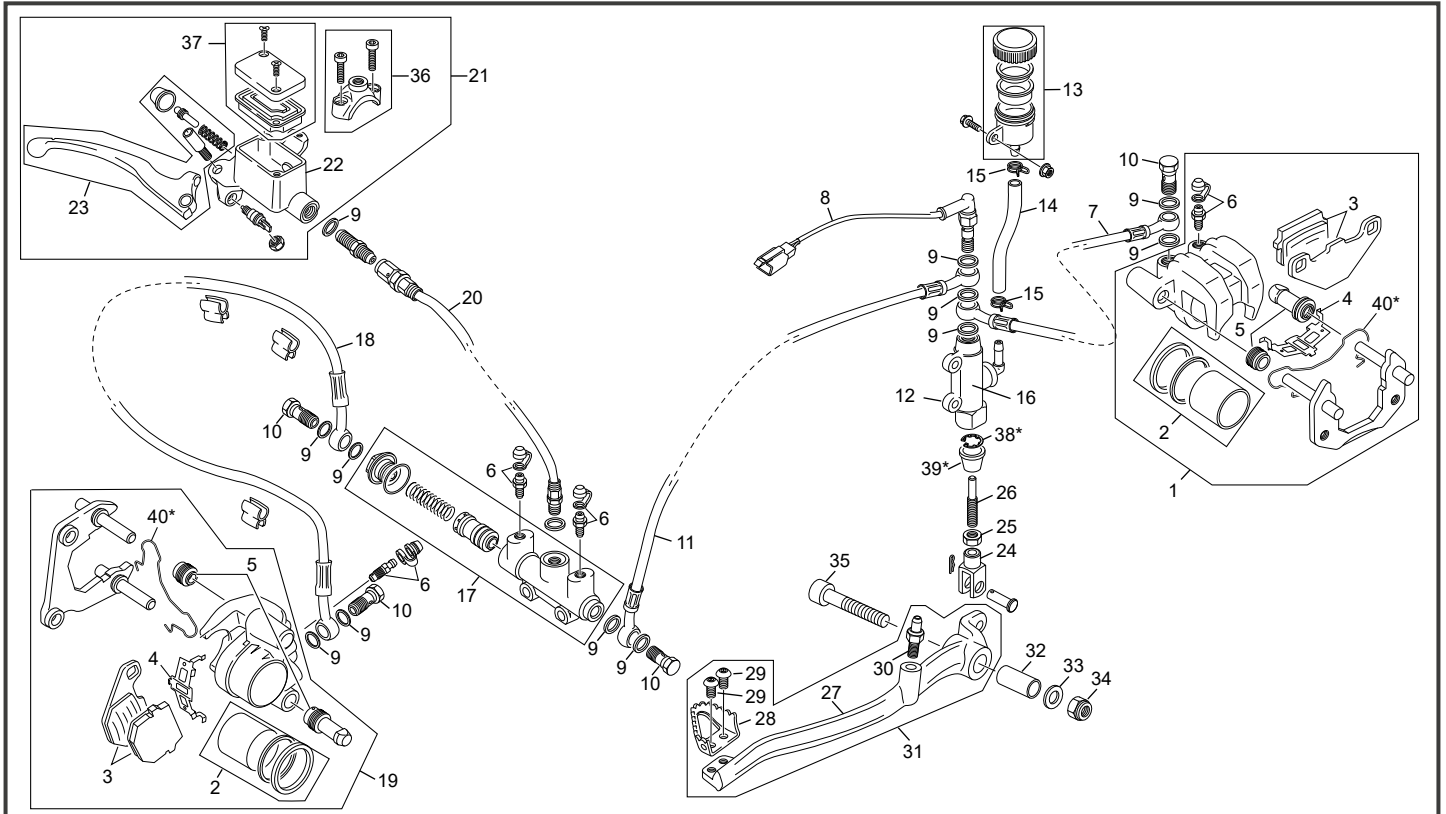
POS.	HRD-SM-FACT-RS	HRD-SE-FACT-RS	FRANÇAIS	ENGLISH	ESPAÑOL
1	10857	10857	FOURCHE USD 41 COMPLETE	USD FRONT FORK 41 MM COMPLETE	SUSPENSIÓN DELANTERA 41 MM COMPLETA
2	1051	1051	ANNEAU D ETANCHEITE NYLOS	NYLOS RING	JUNTA NYLOS
3	H006	H006	RLT COLONNE 32005	STEERING MAIN BEARING 32005	COJINETE DIRECCIÓN 32005
4	7324	7325	PATTE DEPORT FIXATION ETRIER USD	BRAKE CALIPER SUPPORT USD	SOPORTE PINZA FRENO USD
5	1252	1252	CATADIOPTRÉ ORANGE	ORANGE REFLECTORS	REFLECTORES
6	4620	4620	VIS TH EP M8 X 32 ETRIER BREMBO	SCREW TH EP M8 X 32	TORNILLO TH EP M8 X 32
7	3363	3363	VIS TH EP M8 X 20	SCREW TH EP M8 X 20	TORNILLO TH EP M8 X 20
8	8693	8693	BOUCHON COLONNE 50 END	STEERING STEM PLUG	TAPÓN PIPA
9	8692	8692	ECROU COLONNE 50 END SM	STEERING STEM NUT	TUERCA PIPA
10	10748	10748	ECROU ERGOTS FOURCHE 50/125 USD	STEERING STEM COUNTERNUT	CONTRATUERCA PIPA
11	7539	7539	CACHE POUSSIERE 50 USD	DUST SEAL	GUARDAPOLVO
12	7538	7538	JOINT SPI FOURCHE 50 USD	FORK SEAL	JUNTA SPI HORQUILLA
13	10856	10856	CACHE POUSSIERE SUP 125	DUST PROTECTOR	PROTECCIÓN
14	11593	11593	T FOURCHE SUP. USD	UPPPER FORK CLAMP USD	PLATINA SUP HORQUILLA USD
15	11592	11592	T FOURCHE INF. COMPLET USD	LOWER FORK CLAMP USD	PLATINA INF HORQUILLA USD
16	11591	11591	BRIDE GUIDON USD	HANDLEBAR CLAMP USD	BRIDA MANILLAR USD
17	11588	11588	JAMBE FOURCHE DROITE USD	RIGHT FORK LEG USD	PIERNA HORQUILLA DER. USD
18	11587	11587	JAMBE FOURCHE GAUCHE USD	LEFT FORK LEG USD	PIERNA HORQUILLA IZQ. USD
19	M262	M262	VIS CHC 8 X 30	SCREW CHC 8 X 30	TORNILLO CHC 8 X 30
20	M263	M263	VIS CHC 8 X 40	SCREW CHC 8 X 40	TORNILLO CHC 8 X 40
21	6757	6757	VIS SPECIALE PROTECTEUR FOURCHE	FORK PROTECTOR BOLT	TORNILLO ESPECIAL PROTECTOR HORQUILLA
22	M 261	M 261	VIS CHC M8X20	SCREW CHC 8 X 20	TORNILLO CHC 8X20

Amortisseur - Bras oscillant Rear Shock - Swingarm / Amortiguador - Basculante



POS.	HRD-SM-FACT-RS	HRD-SE-FACT-RS	FRANÇAIS	ENGLISH	ESPAÑOL
1	M259	M259	VIS CHC 10 X 50 0084	SCREW CHC 10 X 50	TORNILLO 10 X 50 ALLEN
2	10858	10858	AMORTISSEUR 125 4T	SHOCK ABSORBER 125 4T	AMORTIGUADOR 125 4T
3	C424	C424	RONDELLE M10	WASHER M10	ARANDELA M10
4	M304	M304	ECROU NYLSTOP M10 0368.10	NUT NYLSTOP M10	TUERCA NYLSTOP M10
5	10313	10313	AXE BRAS OSCILLANT 125	SWINGARM AXLE	EJE BASCULANTE
6	11218	11218	SILENT BLOC DE BRAS OSCILLANT	SILENTBLOC SWINGARM	SILENTBLOC BASCULENTE
7	10315	10315	ENTRETOISE BRAS OSCILLANT	SPACER SWING ARM	CASQUILLO EJE BASCULANTE
8	C426	C426	RONDELLE M16	WASHER M16	ARANDELA M16
9	C417	C417	ECROU NYLSTOP M16 X 150	NUT NYLSTOP M16 X 150	TUERCA NYLSTOP M16 X 150
10	H065	H065	PATIN CHAINE	CHAIN SLIDER	PATÍN CADENA
11	M301	M301	VIS FHC M8X20	SCREW FHC M8X20	TORNILLO AVELLANADO M 8 X 20
12	H273	H273	CLIP DURITE DE FREIN	BRAKE HOSE CLIP	CLIP TUBO FRENO
13	7200	7200	TOLE TENSION CHAINE 50/125	CHAIN TENSIONER	CHAPA TENSIÓN CADENA
14	M309	M309	ECROU STANDARD M6 0317	STANDARD NUT M6	TUERCA STANDARD M6
15	1027	1027	VIS TH M6 X 60	SCREW TH M6X60	TORNILLO TH M6X60
16	M306	M306	ECROU NYLSTOP M6 0368.6	NYLSTOP NUT M6	TUERCA NYLSTOP M6
17	C427	C427	RONDELLE M6 X 15	WASHER M6X15	ARANDELA M6X15
18	10343	10343	VIS M6X45 ISO 4014	SCREW M6X45	TORNILLO M6X45
19	0296	0296	GUIDE CHAINE	CHAIN GUIDE	GUÍA CADENA
20	8994	8994	BRAS OSCILLANT	SWINGARM	BASCULANTE
21	11190	11190	CARTER DE CHAINE	CHAIN PROTECTOR	PROTECTOR CADENA
22	5201	5201	VIS THEP M6X16	SCREW THEP M6X16	TORNILLO THEP M6X16
23	3205	3205	VIS FHC M6X16	SCREW FHC M6X16	TORNILLO FHC M6X16
24	10512	10512	AXE ROUE AR	REAR WHEEL AXLE	EJE RUOTA TRASERA
25	C426	C426	RONDELLE M16 AXE ROUE AR	REAR WHEEL AXLE WASHER M16	ARANDELA M16
26	C417	C417	ECROU AXE ROUE AR	REAR WHEEL NUT	TUERCA RUOTA TRASERA

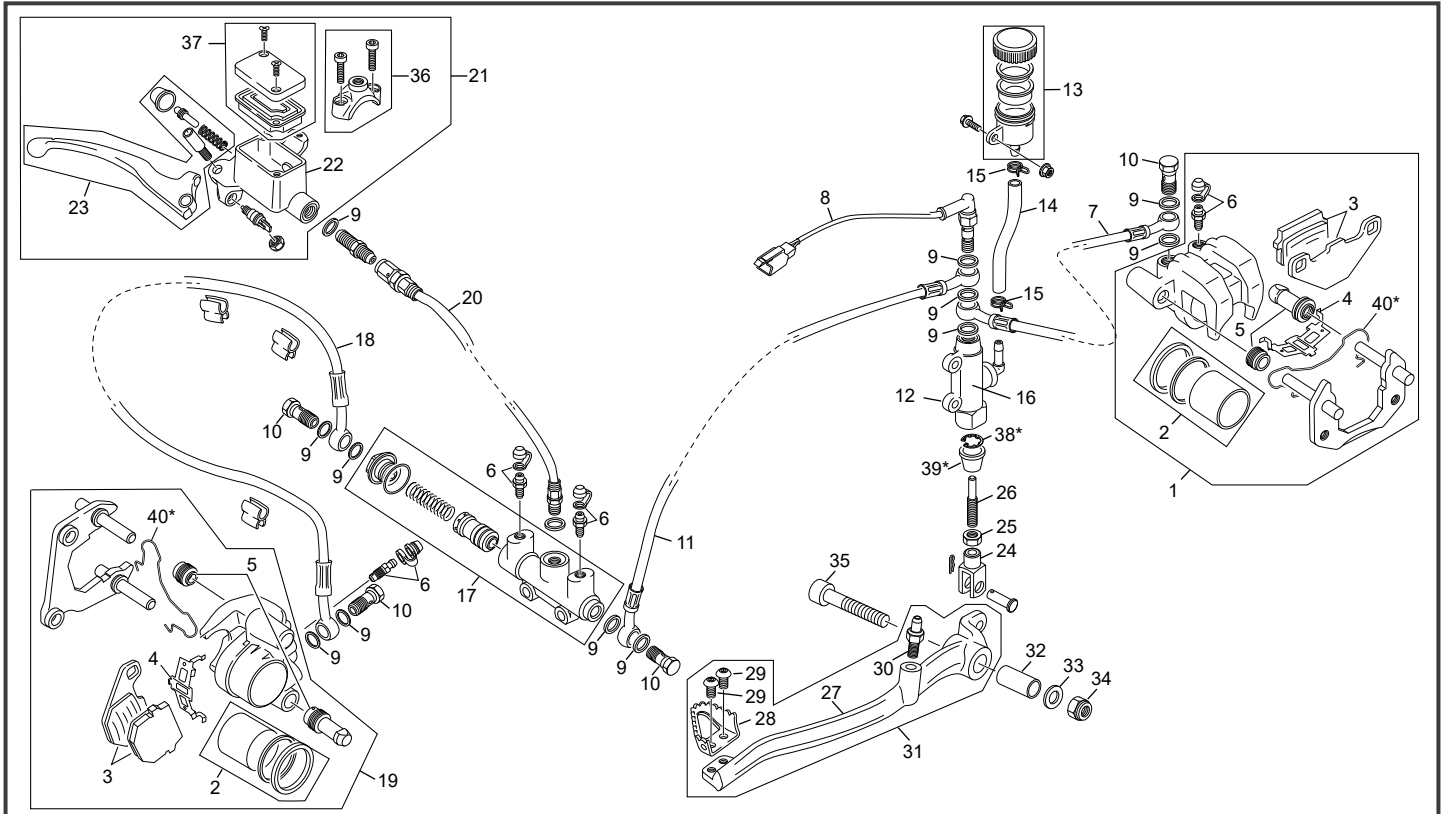
Système de freinage Brake system / Sistema de frenos



POS.	HRD-SM-FACT-RS	HRD-SE-FACT-RS	FRANÇAIS	ENGLISH	ESPAÑOL
1	11508	11508	ETRIER AR	REAR CALIPER	PINZA FRENO TRASERO
2	4083	4083	KIT PISTON ETRIER AR/AV JJUAN	KIT REPAIR CALIPER JJUAN	KIT REPARACIÓN PINZA JJUAN
3	11515	11515	PLAQUETTES FREIN AV/AR 125 4 T	BRAKE PADS FRONT/REAR 125 4T	JUEGO PASTILLAS DEL/TRAS 1254T
4	11520	11520	KIT RESSORTS PLAQUETTES	SPRING PADS SET	KIT MUELLES PASTILLAS
5	11521	11521	KIT SOUFFLETS AXE ETRIER	PIN BOLT KIT	PERNO FIJACIÓN FRENO
6	11516	11516	KIT PURGEUR	BLEEDER KIT	TORNILLO SANGRADOR
7	11118	11118	DURIT ETRIER AR / MAITRE CYL. AR	BRAKE HOSE REAR CALIPER / REAR MASTER CYL	LATIGUILLO FRENO TRASERO PINZA / BOMBA
8	11506	11506	INTERRUPTEUR FREIN AR	REAR BRAKE SWITCH	INTERUPTOR FRENO TRASERO
9	R074	R074	RONDELLE BANJO CUIVRE 10X14X1,5	WASHER COPPER 10X14X1.5	ARANDELLA BANJO COBRE 10X14X1.5
10	R059	R059	VIS RACCORD M10X21	BANJO BOLT M10X21	TORNILLO RACORD M10X21
11	11119	11119	DURITE MAITRE CYL. AR / DISTRIBUTEUR	BRAKE HOSE REAR MASTER CYLINDER / DISTRIBUTOR	LATIGUILLO BOMBA FRENO TRASERA / DISTRIBUDOR
12	11121	11121	MAITRE CYLINDRE ARRIERE	REAR PUMP ASSY	BOMBA FRENO TRASERA
13	4661	4661	BOCAL LIQUIDE DE FREIN	BRAKE FLUID TANK	DEPOSITO LIQUIDO FRENO
14	11513	11513	DURITE LIQUIDE DE FREIN	BRAKE FLUID HOSE	TUBO LIQUIDO FRENO
15	11511	11511	CLIP DOUBLE FIL	CLIP DOUBLE FIL	CLIP DOUBLE FIL
16	11514	11514	KIT PISTON MAITRE CYLINDRE AR	PISTON KIT MASTER CYLINDER	KIT REPARACIÓN BOMBA FRENO
17	11120	11120	DISTRIBUTEUR FREIN	BRAKE DISTRIBUTOR	DISTRIBUIDOR FRENO
18	11117	11117	DURIT ETRIER AV/DISTRIBUTEUR	BRAKE HOSE FRONT CALIPER / DISTRIBUTOR	LATIGUILLO FRENO DELANTERO PINZA / DISTRIBUIDOR
19	11507	11507	ETRIER AV	FRONT CALIPER	PINZA FRENO DELANTERA
20	11116	11116	DURITE MAITRE CYL. AV / DISTRIBUTEUR	BRAKE HOSE FRONT MASTER CYL / DISTRIBUTOR	LATIGUILLO FRENO DELANTERO BOMBA / DITRIBUDOR
21	11122	11122	MAITRE CYLINDRE AVANT	FRONT PUMP ASSY	BOMBA FRENO DELANTERA
22	11529	11529	KIT REPARATION MAITRE CYLINDRE FREIN AV	KIT REPAIR FRONT BRAKE MASTER CYLINDER	KIT REPARACIÓN BOMBA FRENO DELANTERA
23	11528	11528	KIT LEVIER FREIN AV	FRONT BRAKE LEVER KIT	KIT MANETA FRENO DELANTERO
24	H122	H122	CHAPE PEDALE FREIN	BRAKE PEDAL BALANCE BEAM	HORQUILLA PEDAL FRENO
25	M309	M309	ECROU STANDARD M6	NUT M6	TUERCA M6
26	0374	0374	TIGE FREIN AR END	REAR BRAKE PUSHROD END	BARILLA FRENO TRASERO END
27	H411	H411	PEDALE FREIN ALU 50/125 06	REAR BRAKE PEDAL	PEDAL DE FRENO TRASERO
28	2153	2153	EMBOUT PEDAL FREIN END EVO	POINT BRAKE PEDAL END EVO	PUNTERA PEDAL FRENO END EVO
29	M278	M278	VIS BHC 5 X10	SCREW BHC 5X10	TORNILLO 5 X 10
30	1049	1049	VIS BUTEE DE FREIN AR 50 END SM	REAR BRAKE SCREW 50 END SM	TORNILLO
31	8590	8590	PEDALE FREIN ALU 50 SE SM COMPLETE	COMPLETE REAR BRAKE PEDAL 50 SE SM	PEDAL FRENO TRAS. COMP. 50 SE SM
32	H123	H123	ENTRETOISE PEDALE FREIN	REAR BRAKE PEDAL BRACE	CASQUILLO PEDAL FRENO
33	C430	C430	RONDELLE M8	WASHER M8	ARANDELA M8
34	M305	M305	ECROU NYLSTOP M8	NUT NYLSTOP M8	TUERCA NYLSTOP M8
35	C406	C406	VIS CHC M8 X 50	SCREW CHC M8 X 50	TORNILLO CHC M8 X 50
36	11711	11711	BRIDE DE FIXATION MAITRE CYLINDRE FREIN AV 125 4T	FRONT BRAKE PUMP CLAMP ASSY 125 4T	BRIDA FIJACIÓN BOMBA FRENO DELANTERO 125 4T
37	11712	11712	COUVERCLE POMPE FREIN AV 125 4T	CAP FRONT BRAKE PUMP 125 4T	TAPETA BOMBA FRENO DELANTERO 125 4T
38	11509*	11509*	CIRCLIP PISTON MAITRE CYLINDRE FREIN 125 4T	BRAKE MASTER CYLINDER PISTON SEGEER 125 4T	MUELLE RETENCION FRENO 125 4T
39	11510*	11510*	SOUFFLET PISTON MAITRE CYLINDRE FREIN AR 125 4T	BRAKE MASTER CYLINDER PISTON BOOT REAR 125 4T	FUELLE PISTON BOMBA FRENO TRASERO 125 4T

*Sherco se réserve les droits de modification des références, merci de contrôler sur le portail Sherconetwork avant toute commande. - *Sherco reserves the right to make change on the references, please check on your Sherconetwork portal before ordering.
*Sherco se reserva el derecho para hacer modificaciones sobre las referencias. Por favor, verifíca en el Sherconetwork antes de hacer un pedido.

**Système de freinage
Brake system / Sistema de frenos**

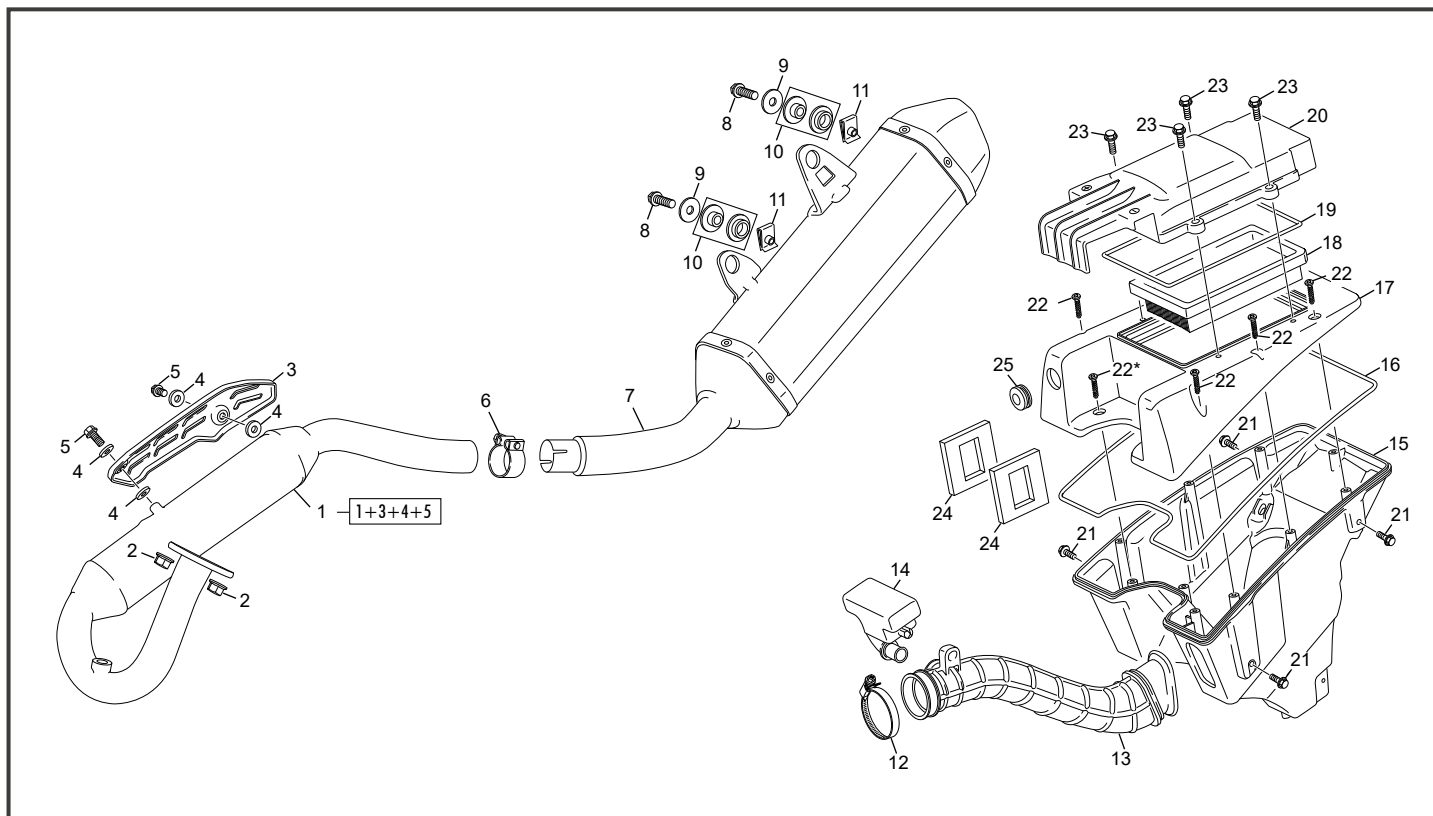


POS.	HRD-SM-FACT-RS	HRD-SE-FACT-RS	FRANÇAIS	ENGLISH	ESPAÑOL
40	11522*	11522*	RESSORT MAINTIENT FREIN 125 4T	RETAIN SPRING BRAKE 125 4T	CIRCLIP PISTON BOMBA FRENO 125 4T

* NOUVELLE PIECE
NEW PART
PIEZA NUEVA

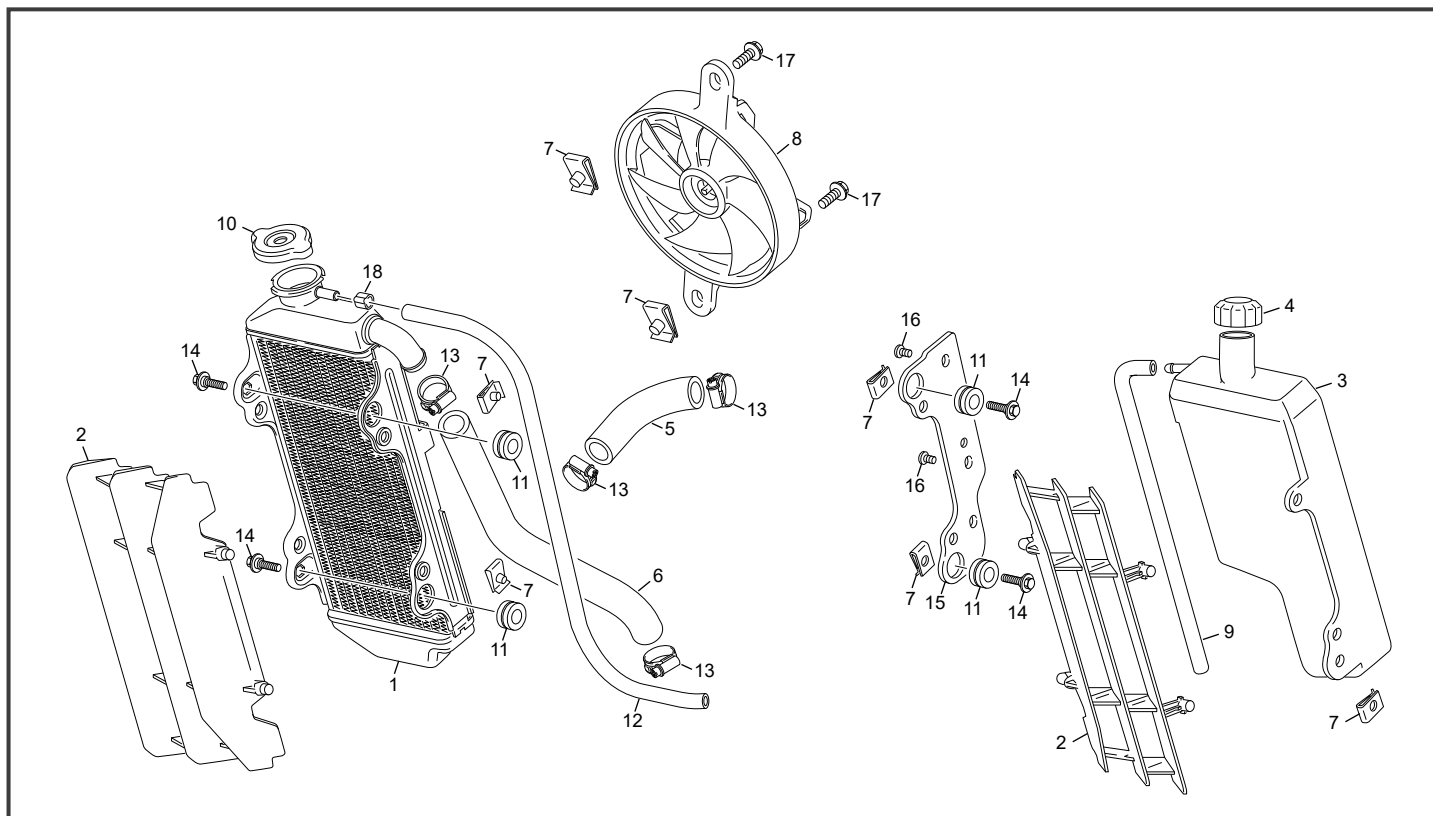
*Sherco se réserve les droits de modification des références, merci de contrôler sur le portail Sherconetwork avant toute commande. - *Sherco reserves the right to make change on the references, please check on your Sherconetwork portal before ordering.
*Sherco se reserva el derecho para hacer modificaciones sobre las referencias. Por favor, verifica en el Sherconetwork antes de hacer un pedido.

Boîte filtre - échappement Air filter box - exhaust system / Caja filtro - escape



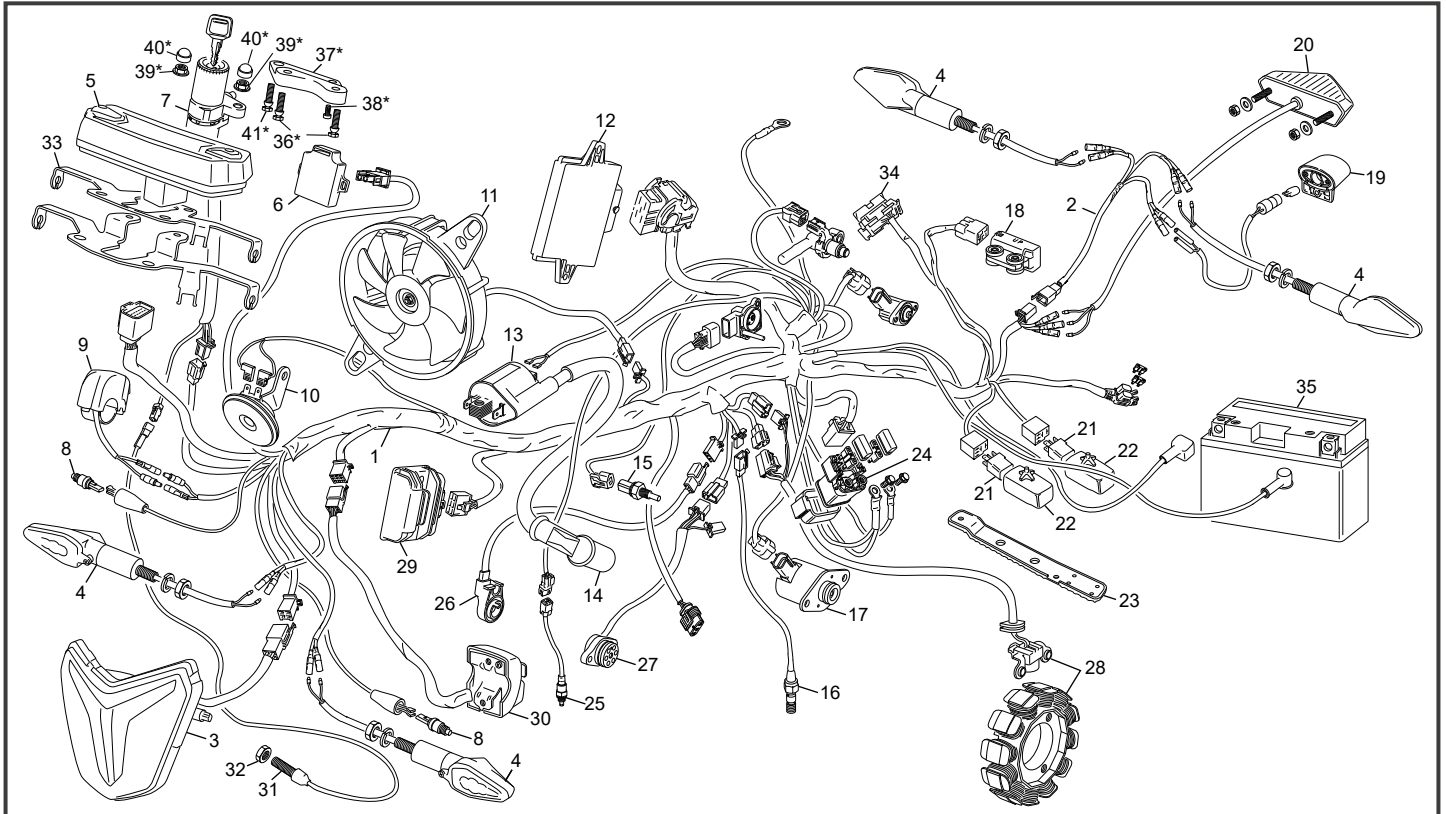
POS.	HRD-SM-FACT-RS	HRD-SE-FACT-RS	FRANÇAIS	ENGLISH	ESPAÑOL
1	10324	10324	COLLECTEUR ECHAPPEMENT	EXHAUST HEADER	ESCAPE
2	8781	8781	ECROU EMBASE CRANTEE M8	HEX NUT M8	TUERCA CON VALONA M8
3	10593	10593	PROTECTION THERMIQUE ECHAPPEMENT	THERMIC PROTECTOR EXHAUST	PROTECTOR TÉRMICO ESCAPE
4	H005	H005	RONDELLE ISOLANTE	INSULATING WASHER	ARANDELA AISLANTE
5	2986	2986	VIS BHC M6X12	SCREW BHC M6X12	TORNILLO BHC M6X12
6	11067	11067	COLLIER ECHAPPEMENT 32-35	EXHAUST COLLAR 32-35	COLLAR ESCAPE 32-35
7	10325	10325	SILENCIEUX 125 4T EURO5	SILENCER 125 4T EURO5	SILENCIOSO 125 4T EURO5
8	0546	0546	VIS TH EP 6 X 20	SCREW TH EP 6 X 20	TORNILLO TH EP 6 X 20
9	4939	4939	RONDELLE M6 X 22 INOX	WASHER M6 X 22 INOX	ARANDELA M6 X 22 INOX
10	0274	0274	SILENT BLOC SILENCIEUX	SILENBLOC SILENCER	SILENBLOC SILENCIOSO
11	M308	M308	ECROU CLIP M6	NUT CLIP M6	TUERCA CLIP M6
12	C110	C110	COLLIER NORMA 32/50	COLLARD NORMA 32/50	ABRAZADERA NORMA 32/50
13	10319	10319	MANCHON FILTRE AIR 125 4T	AIR FILTER SLEEVE 125 4T	TUBERA CAJA FILTRO 125 4T
14	10320	10320	RESONATEUR MANCHON 125 4T	MANIFOLD RESONATOR 125 4T	RESONADOR DE MANGA 125 4T
15	8992	8992	BOITE FILTRE AIR INFERIEURE 125 4T	AIR FILTER BOX BOTTOM 125 4T	CAJA DE FILTRO INFERIOR 125 4T
16	10707	10707	JOINT BOITE FILTRE	AIR BOX GASKET	JUNTA CAJA AIRE
17	10377	10377	BOITE FILTRE AIR SUPERIEURE	AIR FILTER BOX TOP	CAJA DE FILTRO SUPERIOR
18	10318	10318	FILTRE AIR PAPIER	PAPER AIR FILTER	FILTRO DE AIRE DE PAPEL
19	10521	10521	JOINT COUVERCLE BOITE FILTRE	AIR FILTER BOX COVER GASKET	JUNTA TAPA DE CAJA AIRE
20	10371	10371	COUVERCLE BOITE FILTRE AIR	AIR FILTER BOX COVER	TAPA CAJA DE FILTRO
21	0553	0553	VIS THEP M5X12	SCREW THEP M5X12	TORNILLO THEP M5X12
22	10992	10992	VIS PLASTIQUE M 3.5 X 16 BOITE FILTRE	PLASTIC SCREW 3.5 X 16 FILTER BOX	TORNILLO PLASTICO 3.5 X 16 CAJA DE FILTRO
23	0656	0656	VIS THEP M6X16	SCREW THEP M6X16	TORNILLO THEP M6X16
24	10520	10520	MOUSSE ADHESIVE SUPPORT BATTERIE	ADHESIVE FOAM SUPPORT BATTERY	ADHESIVO ESPUMA SOPORTE BATERÍA
25	H059	H059	PASSE FIL	GROMMET	SILENTBLOCK

Radiateur Radiator / Radiador



POS.	HRD-SM-FACT-RS	HRD-SE-FACT-RS	FRANÇAIS	ENGLISH	ESPAÑOL
1	10327	10327	RADIATEUR 125 4T	RADIATOR 125 4T	RADIADOR 125 4T
2	11229	11229	GRILLE RADIATEUR G/D SYMETRIQUE	SYMETRICAL RADIATOR PROTECTOR L/R	GRILLA RADIADOR IZQ/DER SIMÉTRICO
3	9015	9015	VASE D'EXPANSION	EXPANSION TANK	VASO DE EXPANSIÓN
4	0748	0748	BOUCHON VASE EXPANSION	EXPANSION TANK CAP	TAPÓN VASO EXPANSIÓN
5	10514	10514	DURITE INF. RADIATEUR	LOWER RADIATOR HOSE	TUBO RADIADOR INFERIOR
6	10515	10515	DURITE SUP. RADIATEUR	TOP RADIATOR HOSE	TUBO SUPERIOR RADIADOR
7	M308	M308	ECROU CLIP M6	NUT CLIP M6	TUERCA CLIP M6
8	10328	10328	KIT VENTILATEUR	KIT FAN	KIT VENTILADOR
9	10330	10330	DURITE EXPANSION RADIATEUR SUP	EXPANSION HOSE RADIATOR TOP	TUBO EXPANSIÓN RADIADOR SUP
10	11519	11519	BOUCHON RADIATEUR 2 OREILLES	2 EARS RADIATOR TAP	TAPÓN RADIADOR 2 OREJAS
11	H059	H059	SILENT BLOC RADIATEUR	RADIATOR SILENTBLOCK	SILENTBLOCK RADIADOR
12	10329	10329	DURITE EXPANSION RADIATEUR INF	EXPANSION PIPE RADIATOR BOTTOM	TUBO EXPANSIÓN RADIADOR INF
13	0281	0281	COLLIER K025 FIXATION DURITE	COLLAR K025 HOSE RADIATOR	BRIDA K025 TUBO RADIADOR
14	8601	8601	VIS TH EP 6 X 20 EPAULE	SREW TH EP 6 X 20 SPECIAL	TORNILLO TH EP 6 X 20 ESPECIAL
15	10404	10404	SUPPORT VASE EXPANSION	WATER TANK BRACKET	SOPORTE DEPÓSITO DE AGUA
16	3554	3554	VIS BHC M6X8	VIS BHC M6X8	TORNILLO BHC M6X8
17	0656	0656	VIS TH EP 6 X 16	SCREW TH EP 6 X 16	TORNILLO TH EP 6 X 16
18	5569	5569	COLLIER COBRA 9	COLLAR COBRA 9	ABRAZADERA COBRA 9

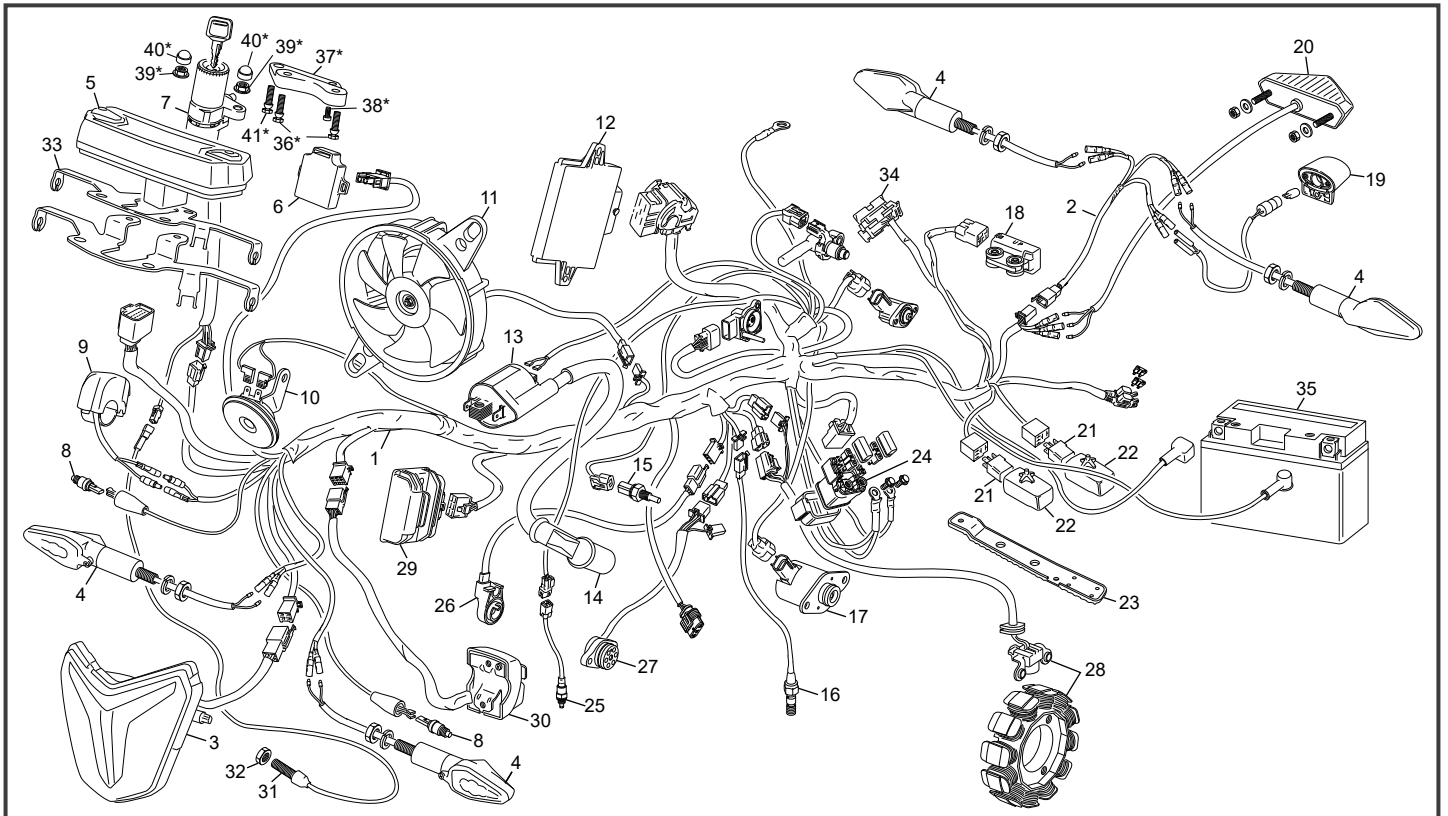
Faisceau électrique Electrical system / Instalación eléctrica



POS.	HRD-SM-FACT-RS	HRD-SE-FACT-RS	FRANÇAIS	ENGLISH	ESPAÑOL
1	10312	10312	FAISCEAU ELECTRIQUE 125 4T	WIRE HARNESS 125 4T	INSTALACIÓN ELÉCTRICA COMPLETA 125 4T
2	11517	11517	FAISCEAU ELECTRIQUE AR 125 4T	WIRE HARNESS REAR PART 125 4T	INSTALACIÓN ELÉCTRICA PARTE TRASERA 125 4T
3	10274	10274	OPTIQUE PHARE END/SM LED 2023	FRONT LIGHT OPTICAL END/SM LED 2023	FARO DEL END/SM LED 2023
4	9954	9954	CLIGNOTEUR DROIT ET GAUCHE LONG 50 END EVO	TURN LIGHT LEFT RIGHT LONG END 50 EVO	INTERMITENTE IZQUIERDO DERECHO LARGO 50 END 12 EVO
5	10322	10322	COMPTEUR DE VITESSE 125 4T	SPEEDOMETER END/SM 125 4T	VELOCÍMETRO END/SM 125 4T
6	0364	0364	CENTRALE CLIGNOT END 450	INDICATIVE LIGHT SYSTEM END 450	CENTRAL INTERMITENCIA END 450
7	10331	10331	BOUCHON ESSENCE + CONTACTEUR DEM 125 4T	PETROL CAP + BLOC KEY STARTER 125 4T	TAPÓN GASOLINA + BLOC LLAVE ARRANQUE 125 4T
8	R354	R354	CONTACTEUR FREIN AV 50 END	FRONT BRAKE ELECTRIC CONTACT 50 END	INTERRUPTOR FRENO DEL 50 END
9	H152	H152	BOULTON DEMARREUR DROIT 125 END SM	RIGHT START ELECTRIC COMMANDS 125 END SM	COMANDO ARANQUE DERECHO 125 END SM
10	9212	9212	KLAXON END COUDE SE/SEF/50CC	HORN END CUBIT SE/SEF/50CC	KLAXON CODO SE/SEF/50CC
11	10328	10328	KIT VENTILATEUR 125 4T	KIT FAN 125 4T	KIT VENTILADOR 125 4T
12	11278	11278	ECU	C.D.I. UNIT	ECU
13	11277	11277	BOBINE D'ALLUMAGE	IGNITION COIL ASSY	BOBINA ENCENDIDO
14	10932	10932	ANTIPARASITE CHAMPION CPL SE SANS OLIVE	CHAMPION SPARK PLUG CUP ASSY SE SANS OLIVE	CTO. PIPA BUJIA SE CAMPEÓN SIN ACEITUNA
15	10785	10785	CAPTEUR EAU 125 4T MINA	SENSOR WATER 125 4T MINA	SENSOR AGUA 125 4T MINA
16	10786*	10786	SONDE LAMBDA 125 4T MINA	LAMBDA SENOR 125 4T MINA	SENSOR LAMBDA 125 4T MINA
17	11368	11368	BOBINE DE SOLENOIDE	SOLENOID COIL ASSY	BOBINA SOLENOIDE
18	6909	6909	CAPTEUR D ANGLE SEF	TTL SENSOR	SENSOR DE ANGULO SEF
19	11002	11002	FEU ECLAIRAGE PLAQUE EVO	PLATE NUMBER REAR LIGHT EVO	FARO TRAS. HOMOLO EVO
20	3506	3506	FEU AR END 450 2012	RACING REAR LIGHT END 450 2012	RACING FARO TRAS END 450 2012
21	5095	5095	RELAIS ECU SYN END	SYN ECU RELEY END	RELE ECU SYN END
22	1291	1291	SUPPORT RELAIS END	HOLDER RELAY END	SUPPORTO RELE END
23	11043	11043	SUPPORT RELAIS & FUSIBLE SH125	RELAY & FUSE BRACKET SH125	SUPPORTO RELÉ Y MECHA SH125
24	0367	0367	RELAIS DEMARREUR END	STARTER RELAY END	STARTER RELÉ END
25	11506	11506	INTERRUPTEUR FREIN 125 4T	BRAKE ELECTRIC CONTACT 125 4T	INTERRUPTOR FRENO 125 4T
26	10791	10791	CONTACTEUR DE BEQUILLE 125 4T	STAND SWITCH 125 4T	INTERRUPTOR CABALLETE 125 4T
27	11355	11355	ENSEMBLE COMMUTATEUR NEUTRE	NEUTRAL SWITCH ASSY	CONJUNTO DEL INTERRUPTOR DE NEUTRO
28	11271	11271	STATOR	STATOR ASSY	STATOR
29	11378	11378	REGULATEUR DE TENSION	RECTIFIER REGULETOR ASS	REGULADOR DE TENSION
30	H431	H431	COMMODO ELECTRIQUE 50	ELECTRONIC COMMAND 50	COMANDO ELÉCTRICO 50
31	7531	7531	CAPTEUR ET CABLE FACOMSA	SENSOR AND CABLE	SONDA REED END/SM EURO 4
32	3481	3481	ECROU BAS M8 ZI BLANC	NUT M8	TUERCA M8
33	10713	10713	SUPPORT COMPTEUR 125 RS FACOMSA	SPEEDO METER HOLDER 125 RS FACOMSA	SUPORTE VELOCÍMETRO 125 RS FACOMSA
34	11518	11518	BOUCHON OBD 125 4T	OBD ELECTRICAL CAP 125 4T	TAPÓN ELÉCTRICA OBD 125 4T
35	10708	10708	BATTERIE BTX 4L BS + 4AMP LEAD 125	BATTERY BTX 4L BS + 4AMP LEAD 125	BATERÍA BTX 4L BS + 4AMP LEAD 125

*Sherco se réserve les droits de modification des références, merci de contrôler sur le portail Sherconetwork avant toute commande. - *Sherco reserves the right to make change on the references, please check on your Sherconetwork portal before ordering.
*Sherco se reserva el derecho para hacer modificaciones sobre las referencias. Por favor, verifica en el Sherconetwork antes de hacer un pedido.

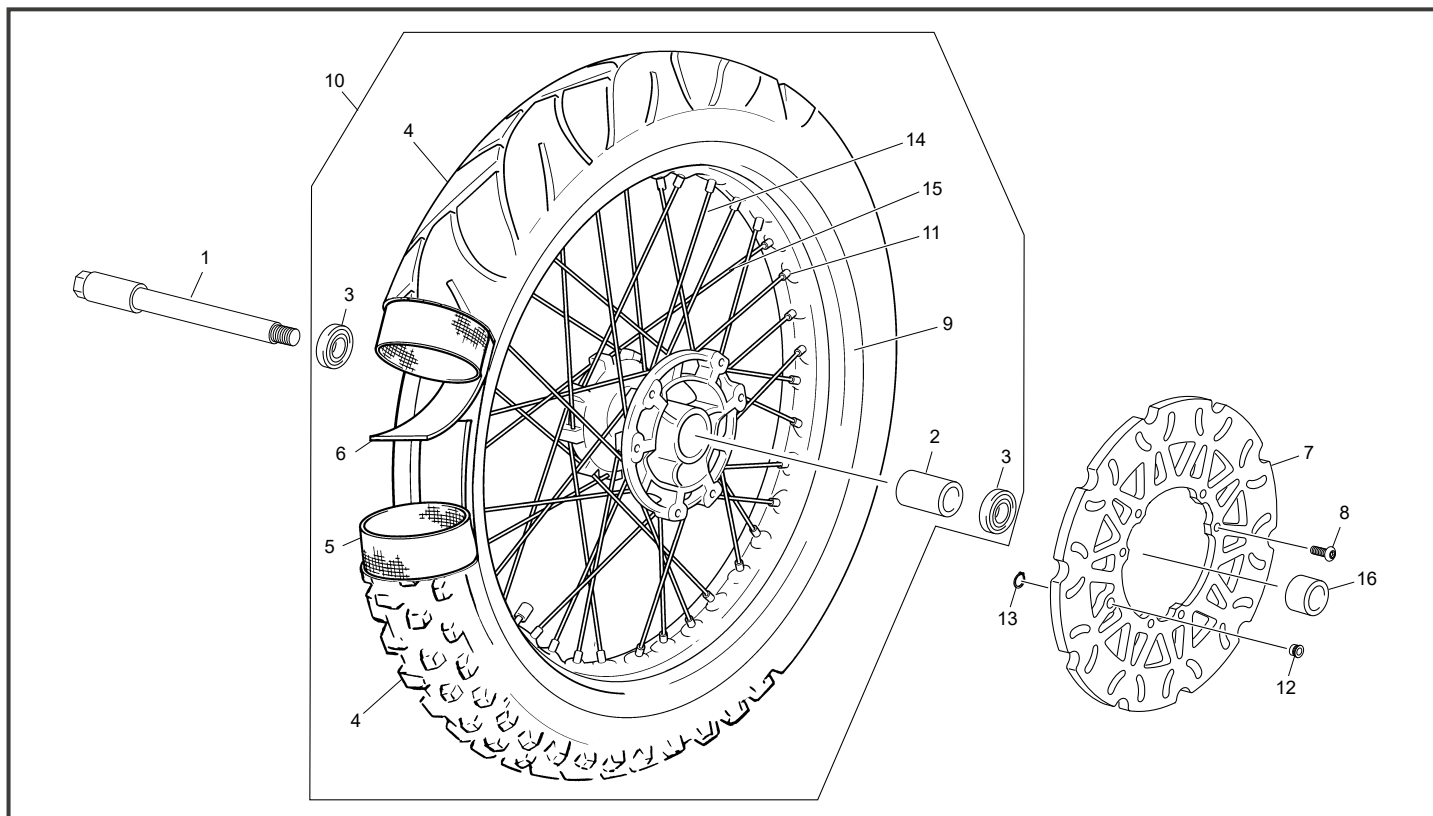
Faisceau électrique Electrical system / Instalación eléctrica



POS.	HRD-SM-FACT-RS	HRD-SE-FACT-RS	FRANÇAIS	ENGLISH	ESPAÑOL
36	11061*	11061*	VIS ANTIMANIPULATION ANTIVOL M8 X 25	SCREW ANTIMANIPULATION DIRECTION M8 X 25	TORNILLO ANTIMANIPULACION ANTIRROBO M8 X 25
37	10896*	10896*	SUPPORT CONTACTEUR A CLE SH125	KEY SWITCH HOLDER SH125	SOPORTE DE INTERRUPTOR SH125
38	7713*	7713*	VIS TETE PLATE M6X12 HEXAGONAL CREUX 10.9 FREIN FI	SPECIAL SCREW M6X12 10.9 HC BLUE THREAD BRAKE	TORNILLO M6X12 10.9 HC PRECOTE AZUL
39	M272*	M272*	ECROU EMBASE X8 0692	COLLAR HEX NUT M8	TUERCA CON VALONA M8
40	11063*	11063*	CAPUCHON NOIR ECROU M8	HOOD BLACK M8 NUT	TAPON NERO TUERCA M8
41	11062*	11062*	VIS ANTIMANIPULATION ANTIVOL M8 X 20	SCREW ANTIMANIPULATION DIRECTION M8 X 20	TORNILLO ANTIMANIPULACION ANTIRROBO M8 X 20

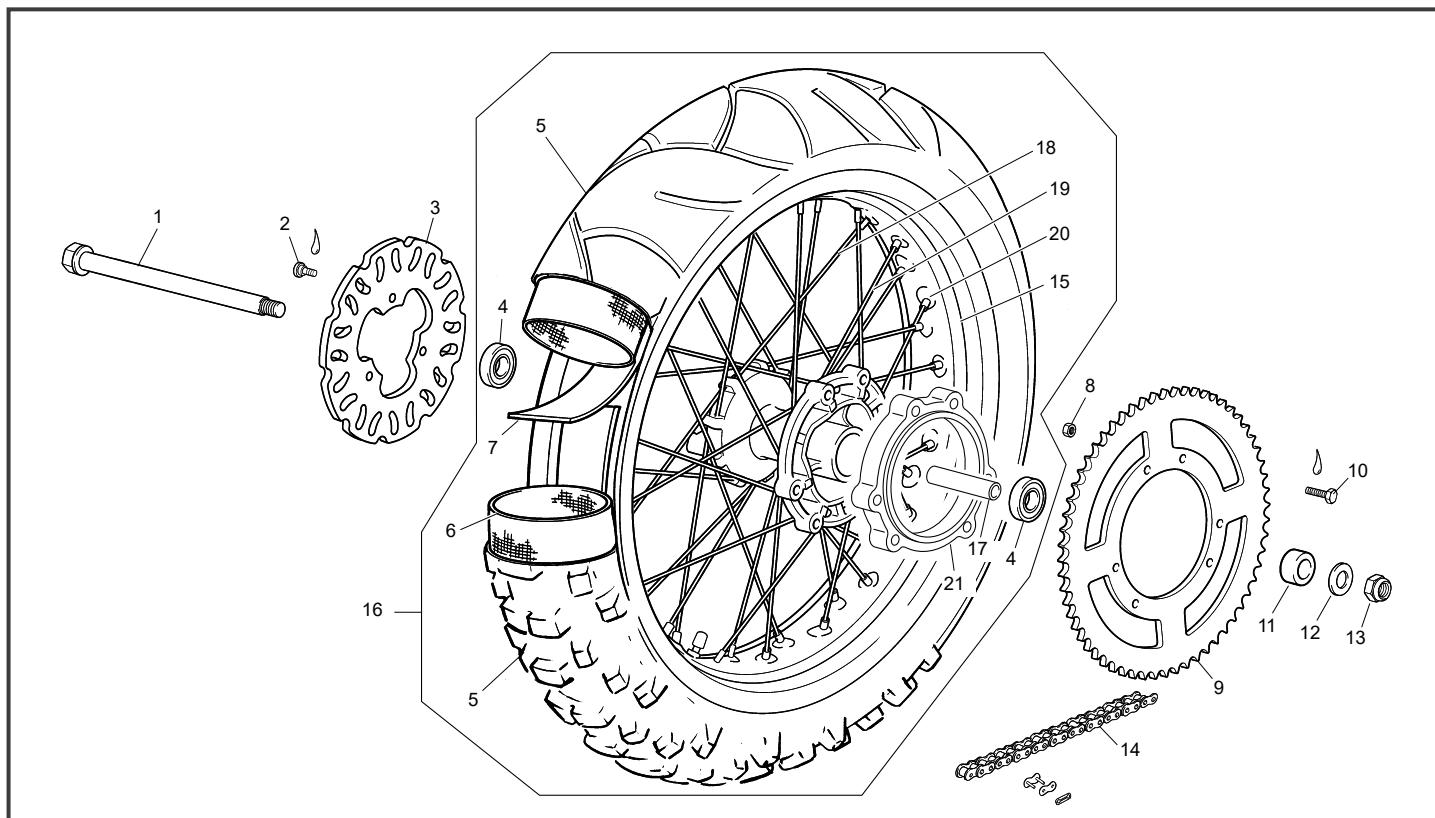
* NOUVELLE PIECE
NEW PART
PIEZA NUEVA

Roue avant Front wheel / Rueda delantera



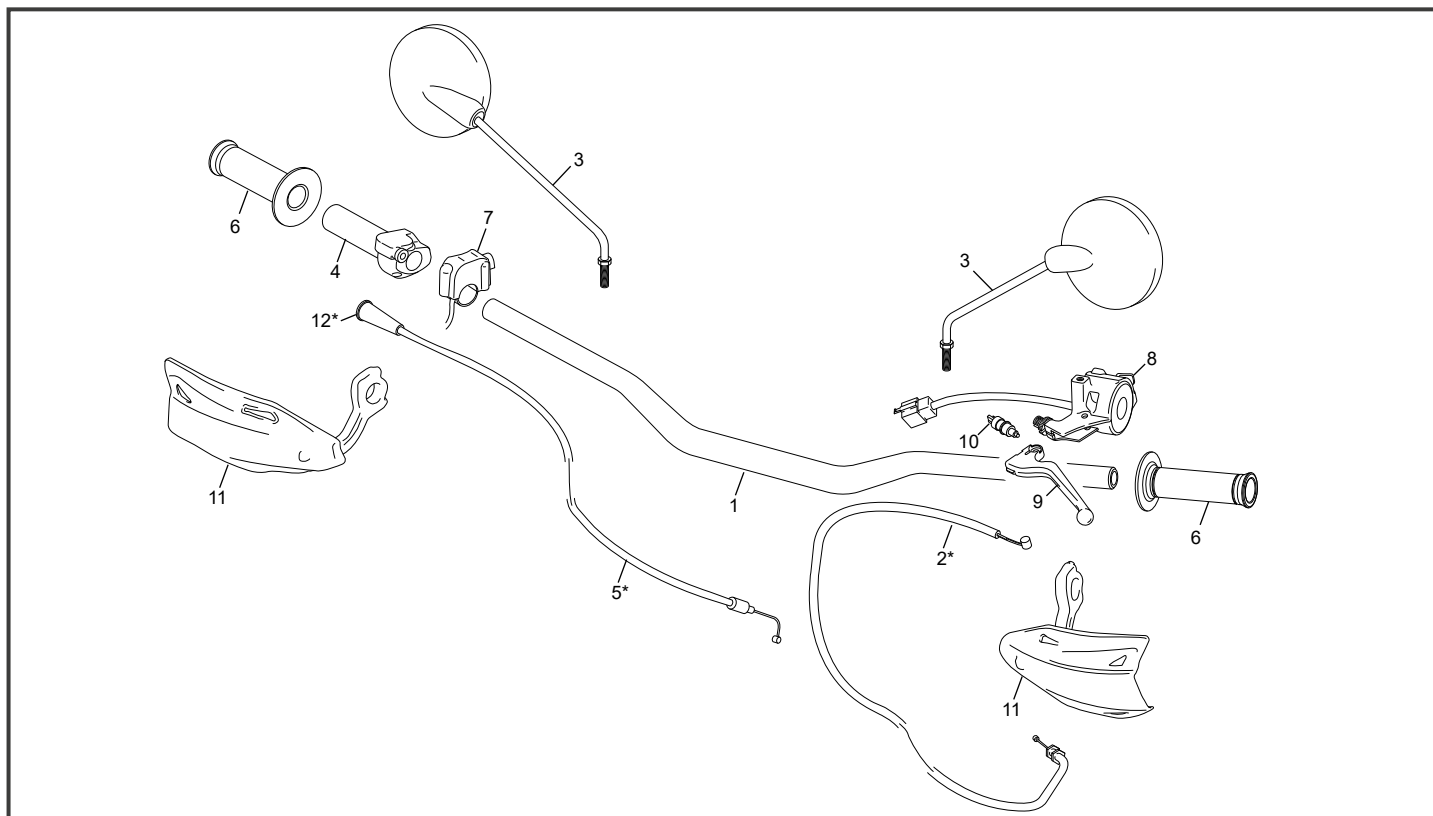
POS.	HRD-SM-FACT-RS	HRD-SE-FACT-RS	FRANÇAIS	ENGLISH	ESPAÑOL
1	7322	7322	AXE ROUE AVANT 50 RS	FRONT WHEEL AXLE 50 RS	EJE RUEDA DELANTERA 50 RS
2	7425	7425	ENTRETOISE ROULEMENTS ROUE AVANT 50/125 E15 L66,5	FRONT WHEEL WASHER 50/125 E15 L66,5	SEPARADOR RODAMIENTOS RUEDA DEL 50/125 E15 L66,5
3	R360	R360	ROULEMENT MOYEU AV.	HUB BEARING	RODAMIENTO BUJE
4	H080	----	PNEU AV. SM 100/80.17	FRONT TYRE SM 100/80.17	NEUMÁTICO DEL. SM 100/80.17
4	----	H084	PNEU AV. END 90/90.21	FRONT TYRE END 90/90.21	NEUMÁTICO DEL. END 90/90.21
5	H081	----	CHAMBRE AV. SM 300 X 17	FRONT INNER TUBE SM 300 X 17	CAMARA DELANTERA SM 300 X 17
5	----	H077	CHAMBRE AV. END 300 X 21	FRONT INNER TUBE END 300 X 21	CAMARA DEL. END 300 X 21
6	H247	H078	CORDON JANTE AV. END	FRONT RIM RUBBER BAND END	BANDA LLANTA DEL. END
7	----	7273	DISQUE AV. 50/125 END 260MM EVO	BRAKE DISK 50/125 END 260MM EVO	DISCO DEL. 50/125 END 260MM EVO
7	7272	----	DISQUE AV. SM 50/125 300MM EVO	BRAKE DISK SM 50/125 300MM EVO	DISCO DEL. SM 50/125 300MM EVO
8	M252	M252	VIS CHC M6 X 20	SCREW CHC M6 X 20	TORNILLO CHC M6 X 20
9	7534	----	ROUE AVANT SM RAYON NOIRE SANS PNEU	FRONT WHEEL SM RAYON BLACK WITHOUT TYRE	RUEDA DEL. SM RAYON NEGRO SIN PNEUM.
9	----	2122	ROUE AV END USD TITANE SANS PNEU	FRONT WHEEL END USD TITANIUM WITHOUT TYRE	RUEDA DEL. END USD TITANE SIN NEUM.
9	----	10002	ROUE AV 50 END USD NOIRE SANS PNEU	FRONT WHEEL 50 END USD BLACK WITHOUT TYRE	RUEDA DEL. 50 END USD NEGRA SIN NEUM.
10	----	7820	ROUE AV. 50 END TITANE AVEC PNEU	FRONT WHEEL 50 END TITANIUM WITH TYRE	RUEDA DEL. 50 END TITANIO CON NEUM.
10	----	8302	ROUE AV. 50 END NOIRE AVEC PNEU	FRONT WHEEL 50 END BLACK WITH TYRE	RUEDA DEL. 50 END NEGRA CON NEUM.
10	7447	----	ROUE AV. 50 SM RAYON AVEC PNEU	FRONT WHEEL 50 SM RAYON WITH TYRE	RUEDA DEL. 50 SM RAYON CON NEUM.
11	----	3398	ÉCROU RAYON END	NEEPL SPPOCKE	TUERCA RADIO
12	7533	7533	AIMANT FACOMSA	MAGNETIC BOLT FACOMSA	IMAN SENSOR FACOMSA
13	7532	7532	CIRCLIP AIMANT FACOMSA	CIRCLIP FACOMSA	CIRCLIP FACOMSA
14	10589	7992	RAYON END L250 COTÉ DISQUE	SPOCKE END L250 DISK SIDE	RADIO END L250 DISCO
15	----	7993	RAYON END L252 COTÉ DROIT	SPOCKE END L252 RIGHT SIDE	RADIO END L252 DERECHA
16	7323	7323	ENTRETOISE ROUE AVANT 50/125	FRONT WHEEL WASHER 50/125	ARANDELA RUEDA DELANTERA 50/125

Roue arrière Rear wheel / Rueda trasera



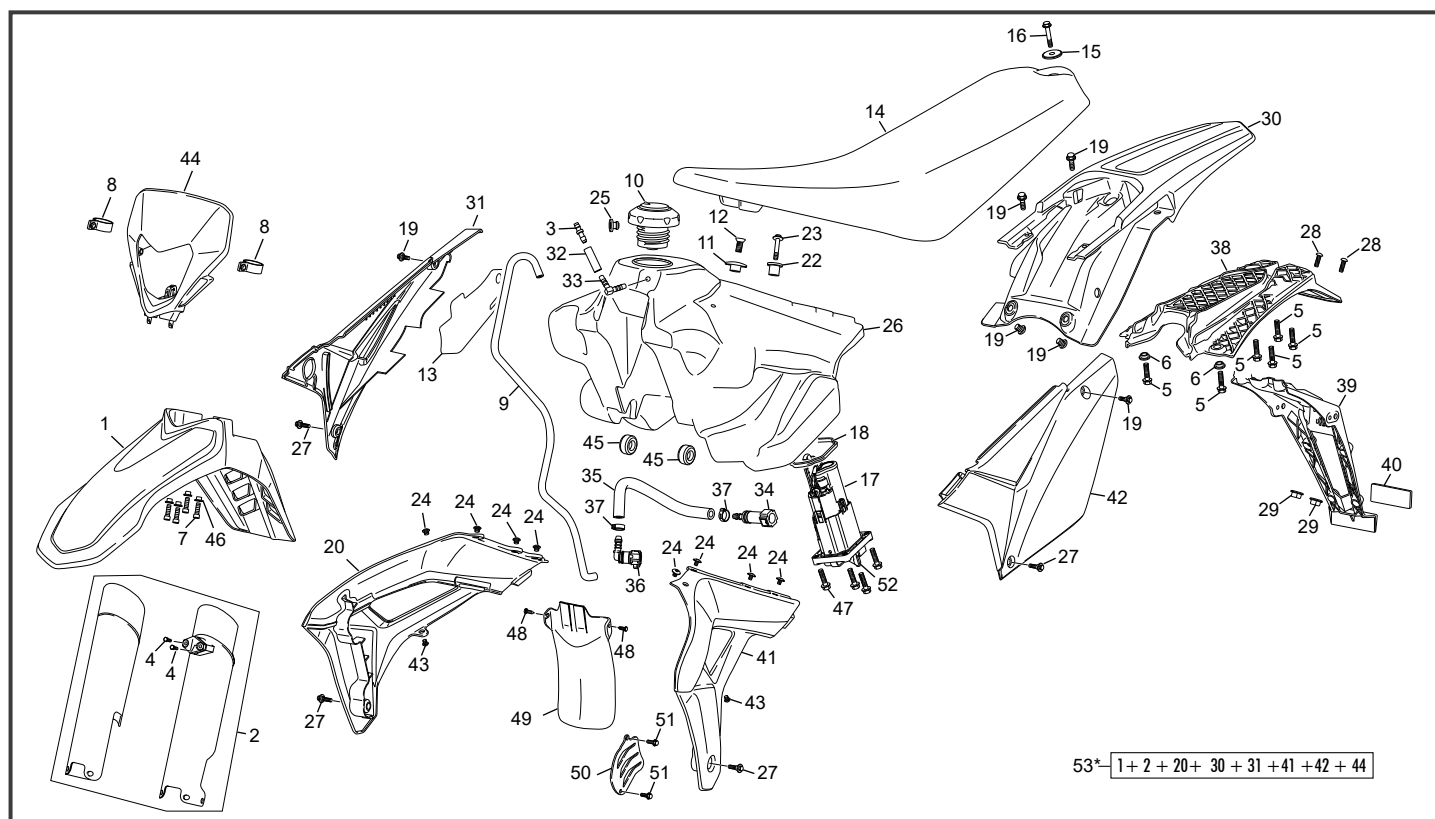
POS.	HRD-SM-FACT-RS	HRD-SE-FACT-RS	FRANÇAIS	ENGLISH	ESPAÑOL
1	10512	10512	AXE ROUE ARRIERE 50/125 06	REAR AXLE	EJE RUEDA TRAS.
2	0452	0452	VIS SPECIALE DISQUE	SCREW SPECIAL BRAKE DISC	TORNILLO ESPECIAL DISCO FRENO
3	1735	1735	DISQUE FREIN ARR 50/125 06	BRAKE DISK REAR 50/125 06	DISCO FRENO TRAS. 50/125 06
4	11109	11109	ROULEMENT 6203 2RS1 C4	BEARING 6203 2RS1 C4	RODAMIENTO 6203 2RS1 C4
5	H083	----	PNEU ARR SM 130/70.17	REAR TYRE SM 130/70.17	NEUMÁTICO TRAS. SM 130/70.17
5	----	H086	PNEU ARR END 110/80.18	REAR TYRE SM 110/80.18	NEUMÁTICO TRASERO END 110/80.18
6	H082	----	CHAMBRE AR. SM 400 X 17	REAR INNER TUBE SM 400 X 17	CÁMARA TRASERA SM 400 X 17
6	----	H088	CHAMBRE AR. END 300 X 18	REAR INNER TUBE END 300 X 18	CÁMARA TRASERA END 300 X 18
7	H079	H079	CORDON JANTE 17	17 RIM RUBBER BAND	BANDA LLANTA 17
8	M305	M305	ECROU NYLSTOP M8	NUT NYLSTOP M8	TUERCA NYLSTOP M8
9	----	11237	COURONNE 60 D 50 SM ALUMINIUM	REAR SPROCKET 60 Z 50 SM ALU.	CORONA TRASERA 60 Z 50 SM ALUMINIO
9	7332	----	COURONNE 56 DTS 50 CC ALUMINIUM	REAR SPROCKET 56 Z 50 CC ALUMINIUM	CORONA 56 Z 50 CC ALUMINIO
10	5607	5607	VIS HEXAG 8 X 50	SCREW 8 X 50	TORNILLO 8 X 50
11	10895	10895	ENTRETOISE ROUE ARRIERE	REAR WHEEL SPACER	CASQUILLO RUEDA TRASERA
12	C426	C426	RONDELLE M16	WASHER M16	ARANDELA M16
13	C417	C417	ECROU NYLSTOP M16 X 150	NUT NYLSTOP M16 X 150	TUERCA NYLSTOP M16 X 150
14	10706	----	CHAINE 134 SM 50	CHAIN 134 Z 50	CADENA 134 Z 50
14	----	11123	CHAINE 136 SM 50 END	CHAIN 136 Z 50 ENDURO	CADENA 136 Z 50 ENDURO
15	11040	----	ROUE AR. 50 SM RAYON SANS PNEU	REAR WHEEL RAYON WITHOUT TYRE	RUEDA TRAS. RAYON SIN NEUM.
15	----	10003	ROUE AR END 50 NOIRE SANS PNEU	BLACK REAR WHEEL 50 END WITHOUT TYRE	RUEDA TRAS. END NEGRA SIN NEUM.
16	----	11150	ROUE AR END NOIRE AVEC PNEU	REAR WHEEL END BLACK WITH TYRE	RUEDA TRAS. END NEGRA CON NEUM.
16	11151	----	ROUE AR. 50 SM RAYON AVEC PNEU	REAR WHEEL 50 SM RAYON WITH TYRE	RUEDA TRAS. SM RAYON CON NEUM.
17	11684	11684	ENTRETOISE INTERNE MOYEU AR 125 4T RS	REAR HUB SPACER 125 4T RS	SEPARADOR INT BUJE TRA 125 4T RS
18	10600	7990	RAYON END L216 COTÉ COURONNE	SPOCKE END L216 SPROCKET SIDE	RADIO END L216 CORONA
19	10599	7991	RAYON END L210 COTÉ DISQUE	SPOCKE END L210 DISK SIDE	RADIO END L210 DISCO
20	----	3398	ÉCROU RAYON END	NEEPLER SPOCKE	TUERCA RADIO
21	10588	10588	ENTRETOISE COURONNE AR 125 4T ROUE RAYONS	SPROCKET SPACER 125 4T SPOKE WHEEL	CASQUILLO CORONA 125 4T

Guidon Handlebar / Manillar



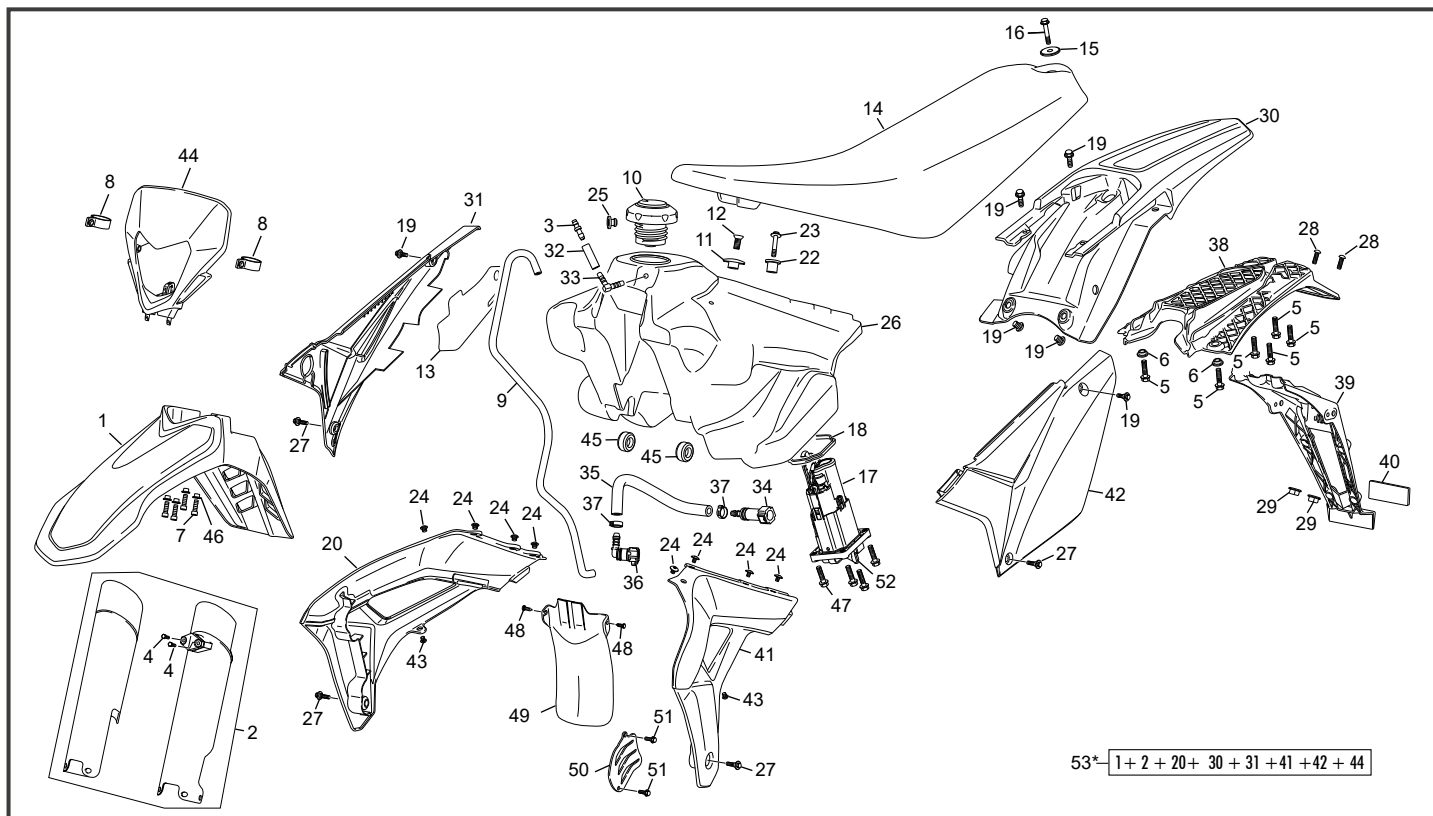
POS.	HRD-SM-FACT-RS	HRD-SE-FACT-RS	FRANÇAIS	ENGLISH	ESPAÑOL
1	6978	6978	GUIDON NOIR ANTHRACITE END EVO	BLACK ANTHRACITE HANDLE BAR	MANILLAR ANTRACITA
2	10852*	10852*	CABLE EMBRAYAGE	CLUTCH CABLE	CABLE DE EMBRAGUE
3	S232	S232	RETROVISEUR	MIRROR	RETROVISOR
4	C074	C074	COMMANDE DE GAZ OXIA	THROTTLE CONTROL OXIA	MANDO DE GAS OXIA
5	9014*	9014*	CABLE DE GAZ	THROTTLE CABLE	CABLE DE GAS
6	8472	8472	POIGNEE 50CC	GRIP SET 50CC	JUEGO EMPUNADURAS 50CC
7	H152	H152	BOUTON DEMARREUR DROIT	RIGHT START ELECTRIC COMMANDS	COMANDO ARANQUE DERECHO
8	4235	4235	COCOTTE EMBRAYAGE COMPLETE	CLUTCH COMMAND COMPLETE	MANDO EMBRAGUE COMPLETO
9	4236	4236	LEVIER EMBRAYAGE	CLUTCH LEVER	MANETA DE EMBRAGUE
10	R354	R354	CONTACTEUR EMBRAYAGE / FREIN	BRAKE / CLUTCH SWITCH	INTERRUPTOR
11	1034	1034	PARES MAINS BLEUS JEU	HAND GUARD BLUE SET	PARAMANO AZUL JUEGO
11	1035	1035	PARES MAINS NOIRS JEU	HAND GUARD BLACK SET	PARAMANO NEGRO JUEGO
12	11933*	11933*	RACCORD CABLE DE GAZ	THROTTLE CABLE CONNECTION	CONEXIÓN DEL CABLE DE GAS

* NOUVELLE PIECE
NEW PART
PIEZA NUEVA



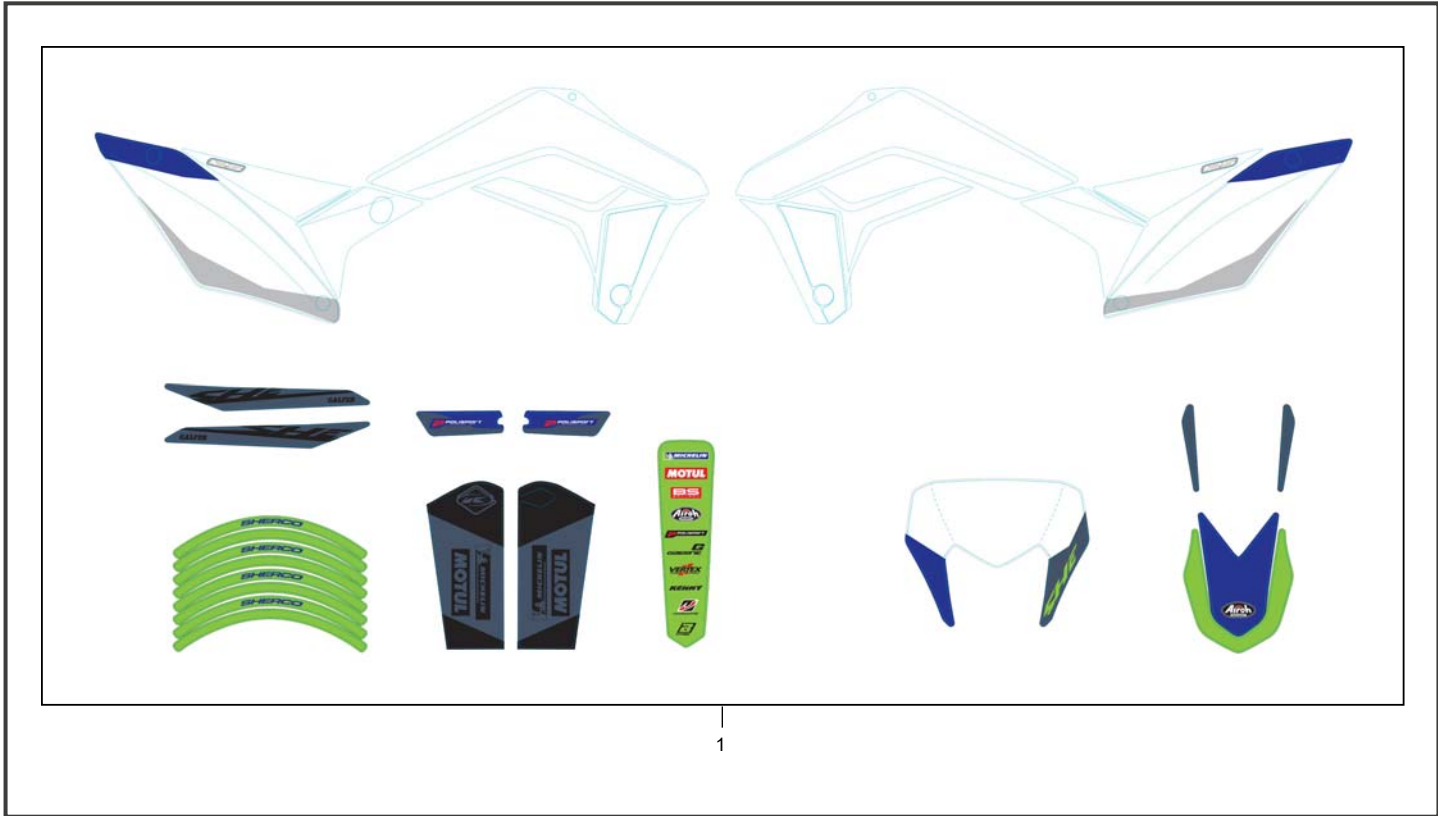
POS.	HRD-SM-RS	BLACK MOON SM-RS	HRD-SE-RS	FRANÇAIS	ENGLISH	ESPAÑOL
1	10333	----	10333	PARE BOUE AVANT BLEU 125 4T SM	BLUE FRONT MUDGUARD 125 4T SM	GUARDABARRO AZUL 125 4T SM
1	----	11089	----	PARE BOUE AVANT NOIR 125 4T SM	BLACK FRONT MUDGUARD 125 4T SM	GUARDABARRO NEGRO 125 4T SM
2	9012	9012	9012	PROTECTEUR FOURCHE JEU	FORK PROTECTOR SET	PROTECTOR HORQUILLA JUEGO
3	5725	5725	5725	VALVE ANTI RETOUR PLASTIQUE	ANTI RETURN VALVE PLASTIK	ANTI RETURN VALVE PLASTIK
4	6757	6757	6757	VIS SPECIALE PROTECTEUR FOURCHE	FORK PROTECTOR BOLT	TORNILLO ESPECIAL PROTECTOR HORQUILLA
5	0546	0546	0546	VIS TH EP 6 X 20	SCREW TH EP 6 X 20	TORNILLO TH EP 6 X 20
6	3097	3097	3097	ENTRETOISE INOX CARROSSERIE	SPACER INOX BODY	CASQUILLO INOX CARROCERÍA
7	M251	M251	M251	VIS CHC 6 X 16	SCREW CHC 6 X 16	TORNILLO 6 X 16
8	H050	H050	H050	ELASTIQUE PLAQUE PHARE	FRONT LIGHT RUBBER BAND	ELASTICO PLACA FARO
9	10517	10517	10517	DURITE CANISTER VALVE	PETROL TUBE CANISTER VALVE	TUBOS GASOLINA CANISTER VALVE
10	10331	10331	10331	BOUCHON ESSENCE + CONTACTEUR DEM + CLES	PETROL CAP + CONTACTEUR STARTER	TAPÓN GASOLINA + BLOC LLAVE ARRANQUE
11	0497	0497	0497	ENTRETOISE SELLE RESERVOIR	SPACER SEAT / TANK	CASQUILLO SILING DÉPÓSITO
12	0652	0652	0652	VIS FHC M6X25	SCREW FHC M6X25	TORNILLO FHC M6X25
13	6684	6684	6684	PROTECTION THERMIQUE PLAQUE LATÉRALE	THERMIC PROTECTOR SIDE NUMBER PLATE	PROTECTOR TÉRMICO PLACA LATERAL
14	10893	10893	10893	SELLE NOIRE	SEAT BLACK	SILLÍN NEGRO
15	11038	11038	11038	ENTRETOISE AR SELLE	REAR BRACE SEAT	CASQUILLO ASIENTO TRAS
16	0547	0547	0547	VIS THEP M6X30	SCREW THEP M6X30	TORNILLO THEP M6X30
17	8995	8995	8995	POMPE A ESSENCE	FUEL PUMP	BOMBA GASOLINA
18	11183	11183	11183	JOINT POMPE A ESSENCE	FUEL PUMP GASKET	JUNTA BOMBA GASOLINA
19	5201	5201	5201	VIS THEP M6X16	SCREW THEP M6X16	TORNILLO THEP M6X16
20	10669	----	10669	OUIE DROITE BLEUE	RADIATOR SIDE PANEL BLUE	PLACA RADIADOR I DERE AZUL
20	----	11070	----	OUIE DROITE NOIRE NOIRE NUE SE SEF	RADIATOR SIDE PANEL RIGHT BLACK BLACK NAKED SE SEF	PLACA RADIADOR I DERE ESE SEF DESNUDA NEGRA
21	M317	M317	M317	RONDELLE M6X12	WASHER M6X12	ARANDELA M6X12
22	11142	11142	11142	ENTRETOISE FIXATION RESERVOIR	FUEL TANK SPACER	ESPACIADOR DEPÓSITO
23	0549	0549	0549	VIS THEP M6X45	SCREW THEP M6X45	TORNILLO THEP M6X45
24	6812	6812	6812	VIS BHC M6X8	SCREW BHC M6X8	TORNILLO BHC M6X8
25	11112	11112	11112	CAOUTCHOUC RENIFLARD RESERVOIR	FUEL TANK HOSE BLEEDER CAOUTCHOUC	GOMA TUBO BLOWBY DÉPÓSITO GASOLINA
26	8993	8993	8993	RESERVOIR ESSENCE	FUEL TANK	DÉPÓSITO GASOLINA
27	5200	5200	5200	VIS THEP SPECIALE M6X20	SCREW THEP SPECIAL M6X20	TORNILLO ESPECIAL THEP M6X20
28	3679	3679	3679	VS BHC M6X20	SCREW BHC M6X20	TORNILLO BHC M6X20
29	2086	2086	2086	ECROU M6 EMBASE LISSE	HEX NUT FLAT BASIS M6	TUERCA CON VALONA BASE LISA
30	7304	----	7304	PARE BOUE ARRIERE BLEU	BLUE BACK MUDGUARD	GUARDABARRO TRA AZUL
30	----	11088	----	PARE BOUE ARRIERE NOIR	BLACK BACK MUDGUARD	GUARDABARRO TRA NEGRO
31	10671	----	10671	PLAQUE LATÉRALE DROITE BLEUE	SIDE NUMBER PLATE R BLUE	PLACA Nº DER AZUL
31	----	11073	----	PLAQUE LATÉRALE DROITE NOIRE NOIRE NUE SE SEF	SIDE NUMBER PLATE RIGHT BLACK NAKED SE SEF	PLACA Nº DERE. NEGRO NEGRO DESNUDA SE SEF

*Sherco se réserve les droits de modification des références, merci de contrôler sur le portail Sherconetwork avant toute commande. - *Sherco reserves the right to make change on the references, please check on your Sherconetwork portal before ordering.
 *Sherco se reserva el derecho para hacer modificaciones sobre las referencias. Por favor, verifica en el Sherconetwork antes de hacer un pedido.



POS.	HRD-SM-RS	BLACK MOON SH-RS	HRD-SE-RS	FRANÇAIS	ENGLISH	ESPAÑOL
32	10516	10516	10516	DURITE RESERVOIR VALVE	PETROL TUBE TANK VALVE	TUBOS GASOLINA SREBATORION
33	11113	11113	11113	RACCORD RENIFLARD RESERVOIR 90°	FUEL TANK HOSE BLEEDER CONNECTOR	CONEXIÓN TUBO BLOWBY DÉPÓSITO GASOLINA
34	10295	10295	10295	RACCORD RAPIDE FEMELLE POMPE DROIT	FAST FUEL PUMP CONEXION FEMALE	CONECTOR TUBO RÁPIDO HEMBRA
35	11065	11065	11065	DURITE ESSENCE Ø6.5 X 190	PETROL TUBE Ø6.5 X 190	TUBO GASOLINA Ø6.5 X 190
36	10958	10958	10958	RACCORD RAPIDE ESSENCE 90°	FAST FUEL CONNECTOR 90°	CONECTOR GASOLINA RÁPIDO 90°
37	H263	H263	H263	COLLIER CLIC 66/125 13.5	COLLAR 66/125 13.5	ABRAZADERA 66/125 13.5
38	6512	6512	6512	BAVETTE FEU AR	REAR NUMBER PLATE HOLDER	PORTAMATRÍCULA TRASERO
39	3549	3549	3549	SUPPORT PLAQUE IMMATRICULATION	SUPPORT NUMBER PLATE	SOPORTE PLACA IMMATRICULACIÓN
40	1526	1526	1526	CATADIOPTRE ROUGE AR	REAR RED REFLECTORS	REFLECTORES ROJO TRAS.
41	----	11071	----	OUIE GAUCHE NOIRE	RADIATOR SIDE PANEL L BLACK	PLACA RADIADOR IZQU. NEGRO
41	10670	----	10670	OUIE GAUCHE BLEUE	RADIATOR SIDE PANEL L BLUE	PLACA RADIADOR IZQU. AZUL
42	----	11072	----	PLAQUE LATERALE GAUCHE NOIRE NOIRE NUE SE SEF	SIDE NUMBER PLATE L BLACK NAKED SE SEF	PLACA NO IZQ. NEGRO
42	10672	----	10672	PLAQUE LATERALE GAUCHE BLEUE	SIDE NUMBER PLATE L BLUE	PLACA NO IZQ. AZUL
43	3554	3554	3554	VIS BHC 6 X 8 EMBASE	SCREW BHC 6 X 8	TORNILLO 6 X8 BHC
44	-----	11090	-----	PLAQUE PHARE NOIRE	FRONT LIGHT PLASTIC SE SEF 2024 BLACK	PLACA FARO SE SEF 2024 NEGRO
44	11561	----	11561	PLAQUE PHARE BLANCHE SE SEF 2024	FRONT LIGHT PLASTIC SE SEF 2024 WHITE	PLACA FARO SE SEF 2024 BLANCO
45	0238	0238	0238	BUTEE PLASTIQUE RESERVOIR END 450	RUBBER TANK HOLDER END 450	TOPE GOMA DÉPÓSITO END 450
46	6756	6756	6756	ENTRETOISE PROTECTION FOURCHE	SPACER BODY	CASQUILLO CARROCERÍA
47	0554	0554	0554	VIS TH EP 5 X 20	SCREW TH EP 5 X 20	TORNILLO TH EP 5 X 20
48	3555	3555	3555	VIS PLASTIQUE DELTA 5 X18	PLASTIC SCREW 5 X18	TORNILLO PLASTICO 5X18
49	10513	10513	10513	BAVETTE DE FILTRE 125 4T	BAVETTE FILTRE 125 4T	BAVETTE FILTRO 125 4T
50	10705	10705	10705	CACHE PIGNON ALU SH125	DRIVE SPROCKET PROTECTOR SH125	PROTECTOR PIÑÓN SALIDA SH125
51	0656	0656	0656	VIS TH EP 6 X 16	SCREW TH EP 6 X 16	TORNILLO TH EP 6 X 16
52	11611	11611	11611	RACCORD 90° SORTIE POMPE ESSENCE SC ST '23	FUEL CONNECTOR 90° PUMP SC ST '23	CONECTOR 90° SALIDA BOMBA GASOLINA SC ST '23
53	11967*	----	11967*	KIT PLASTIQUE 125 4T FACTORY SE SM 2023	PLASTIC KIT 125 4 STROKES FACTORY SE SM 2023	KIT PLASTICO 125 4T FACTORY SE SM 2023
53	----	11996*	----	KIT PLASTIQUE 125 4T BLACK 2023	PLASTIC KIT 125 4 STROKES FACTORY BLACK 2023	KIT PLASTICO 125 4T FACTORY NEGRO 2023

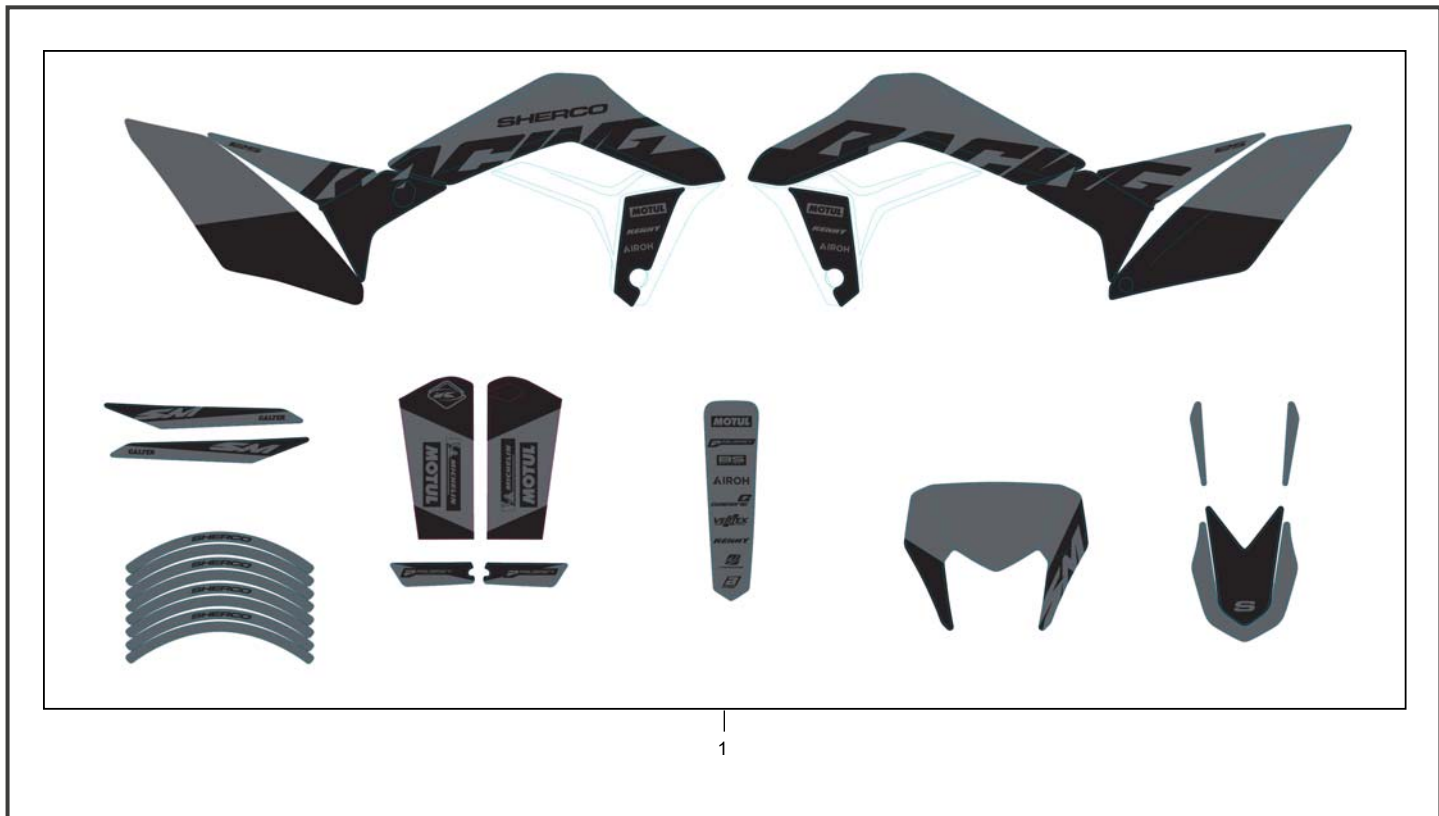
* NOUVELLE PIECE
NEW PART
PIEZA NUEVA



POS.	HRD-SM-RS / HRD-SE-RS	FRANÇAIS	ENGLISH	ESPAÑOL
1	11080	KIT ADHESIF SHERCO 125 4T SM FACTORY RS 2023	PRODUCTION STICKER SHERCO 125 4T SM FACTORY RS 2023	PRODUCCIÓN KIT SHERCO 125 4T SM FACTORY RS 2023

*Sherco se réserve les droits de modification des références, merci de contrôler sur le portail Sherconetwork avant toute commande. - *Sherco reserves the right to make change on the references, please check on your Sherconetwork portal before ordering.
*Sherco se reserva el derecho para hacer modificaciones sobre las referencias. Por favor, verifica en el Sherconetwork antes de hacer un pedido.

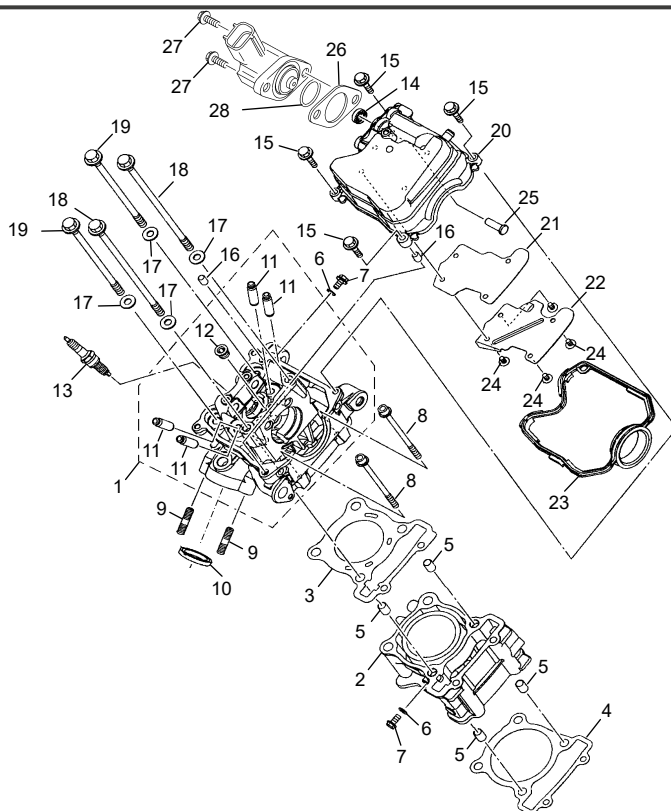
Adhésif BLACK MOON
Sticker BLACK MOON / Adhesivo BLACK MOON



POS.	BLACK MOON SM-RS	FRANÇAIS	ENGLISH	ESPAÑOL
1	11081	KIT ADHESIF SHERCO 125 4T SM BLACK MOON RS 2023	PRODUCTION STICKER SHERCO 125 4T SM GREY RS 2023	PRODUCCIÓN KIT SHERCO 125 4T SM GREY RS 2023

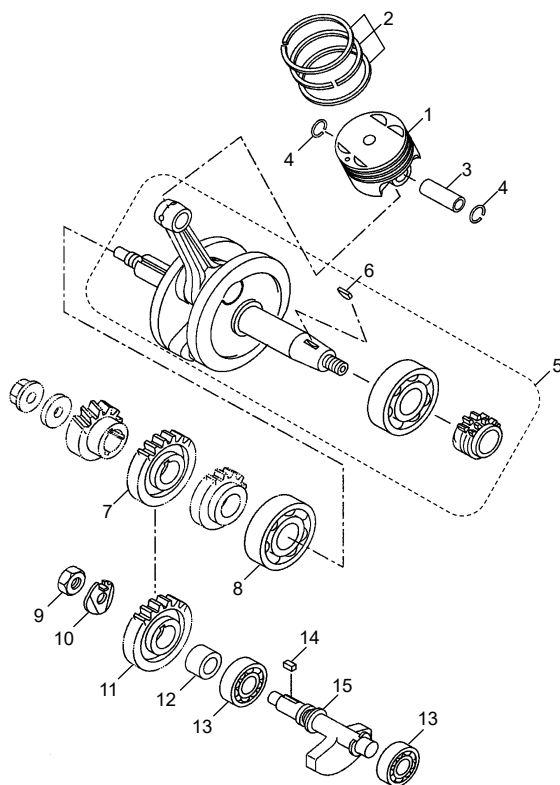
*Sherco se réserve les droits de modification des références, merci de contrôler sur le portail Sherconetwork avant toute commande. - *Sherco reserves the right to make change on the references, please check on your Sherconetwork portal before ordering.
 *Sherco se reserva el derecho para hacer modificaciones sobre las referencias. Por favor, verifica en el Sherconetwork antes de hacer un pedido.

Cylindre-Culasse Cylinder-Cylinder head / Cilindro-Culata

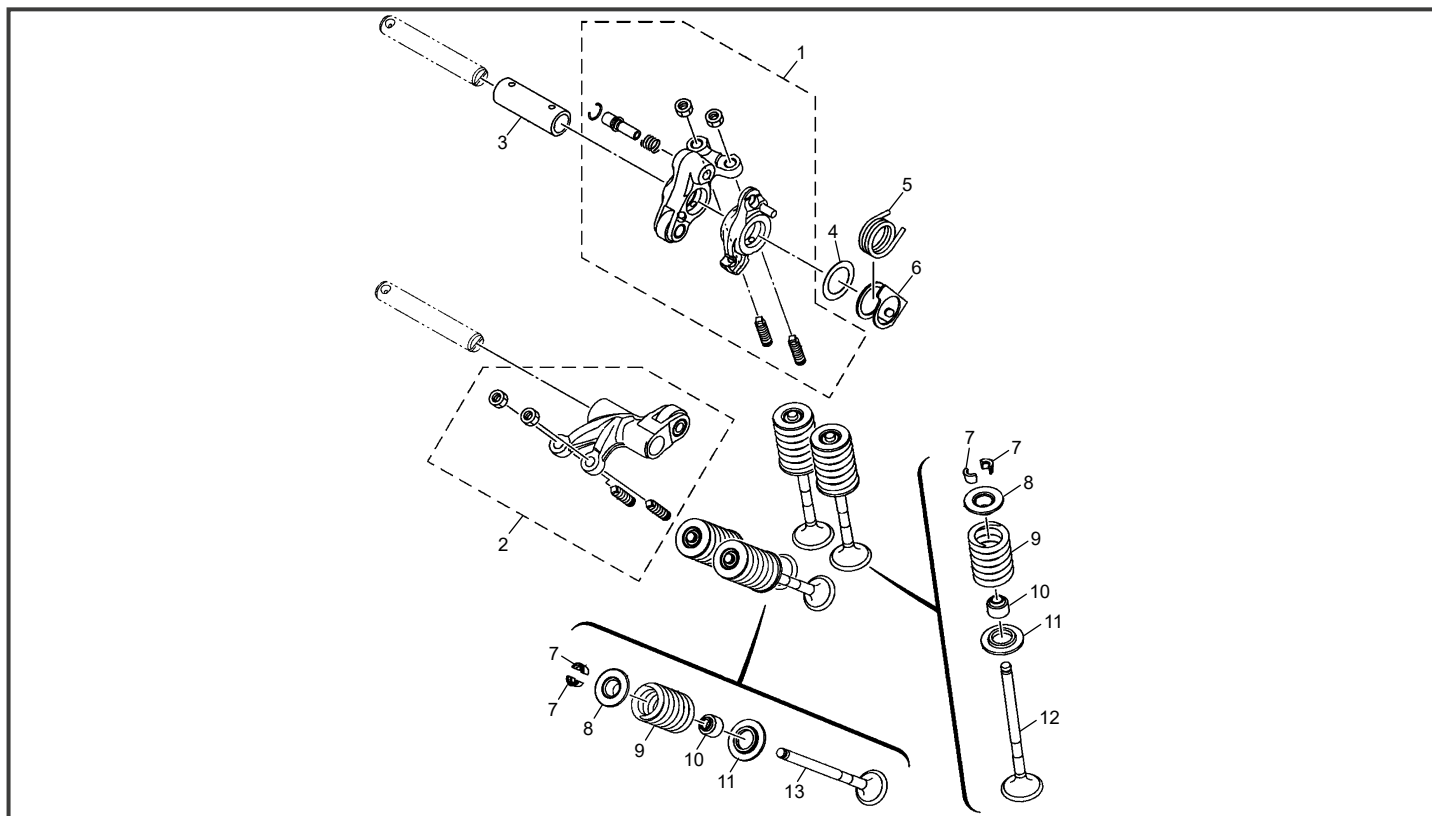


POS.	HRD-SM-FACT-RS	HRD-SE-FACT-RS	FRANÇAIS	ENGLISH	ESPAÑOL
1	11252	11252	CULASSE ASSEMBLE	CYL.HEAD ASSY	CULATA CONJUNTO
2	11249	11249	CYLINDRE D.52	CYLINDER D.52	CILINDRO D.52
3	10784	10784	JOINT DE CULASSE	CILINDER HEAD GASKET	JUNTA CULATA
4	10783	10783	JOINT EMBASE CYL	CILYNDER BASE GASKET	JUNTA BASE CILINDRO
5	11350	11350	GOUPILLE GOUJON D.10X14-INT.D.8,5	PIN DOWEL	PERNO DE PASADOR D.10X14-INT.D.8,5
6	11431	11431	JOINT D 6X11X1	GASKET D 6X11X1	JUNTA D 6X11X1
7	11411	11411	VIS M6X10	BOLT M6X10	TORNILLO M6X10
8	11412	11412	VIS M6X100	BOLT HEX.SOCKET M6X10	TORNILLO M6X10
9	11397	11397	GOUJON CYLINDRRE M8X34	BOLT STUD M8X34	ESPARRAGO CILINDRO M8X34
10	10780	10780	JOINT D' ECHAPPEMENT	EXHAUST GASKET	JUNTA ESCAPE
11	11331	11331	GUIDE DE SOUPAPE	GUIDE VALVE	GUIA VALVOLA
12	11382	11382	BOUCHON DE VIS	PLUG STRAIGHT SCREW	TAPÓN DE TORNILLO
13	11254	11254	BOUGIE MR8E-9	PLUG SPARK MR8E-9	BUJIA MR8E-9
14	11469	11469	JOINT SPI D.18X6,8X6	SEAL OIL D.18X6,8X6	RETÉN D.18X6,8X6
15	11430	11430	VIS M6X30	BOLT FLG SMALL HEAD M6X30	BOLT FLG SMALL HEAD M6X30
16	11351	11351	GOUPILLE GOUJON 8X12 POMPE A HUILE	PIN DOWEL	PERNO DE PASADOR 8X12 BOMBA GASOLINA
17	11400	11400	RONDELLE D.18X8,2X1,6	WASHER PLAIN D.18X8,2X1,6	ARANDELA D.18X8,2X1,6
18	11439	11439	VIS M8X1,25 L=200	BOLT CYLINDER HOLDING M8X1,25 L=200	TORNILLO M8X1,25 L=200
19	11440	11440	VIS M8X1,25 L=155	VIS M8X1,25 L=155	TORNILLO M8X1,25 L=155
20	11282	11282	COUVERCLE DE CULASSE	CYLINDER HEAD COVER	TAPA DE CULATA
21	11452	11452	JOINT DE COUVERCLE	GASKET BREATHER COVER	JUNTA TAPA
22	11435	11435	VIS M5X8	SCREW M5X8	TORNILLO M5X8
23	10781	10781	JOINT DE COUVRE CULASSE	ROCKER ARM COVER GASKET	JUNTA TAPA BALANÇÍN
24	11435	11435	VIS M5X8	SCREW M5X8	TORNILLO M5X8
25	11361	11361	TIGE DE POUSSE BALANCIER	ROD 1	TIJA PULSADOR BALANCE
26	11464	11464	JOINT	GASKET	JUNTA
27	11443	11443	VIS TE M6X16	BOLT FLG. DEEP RECESS M6X16	TORNILLO TE M6X16
28	11455	11455	JOINT TORIQUE D.20,8X2,4	O-RING D.20,8X2,4	ANILLO D.20,8X2,4

Vilebrequin assemblé Crankshaft assy / Cigüeñal

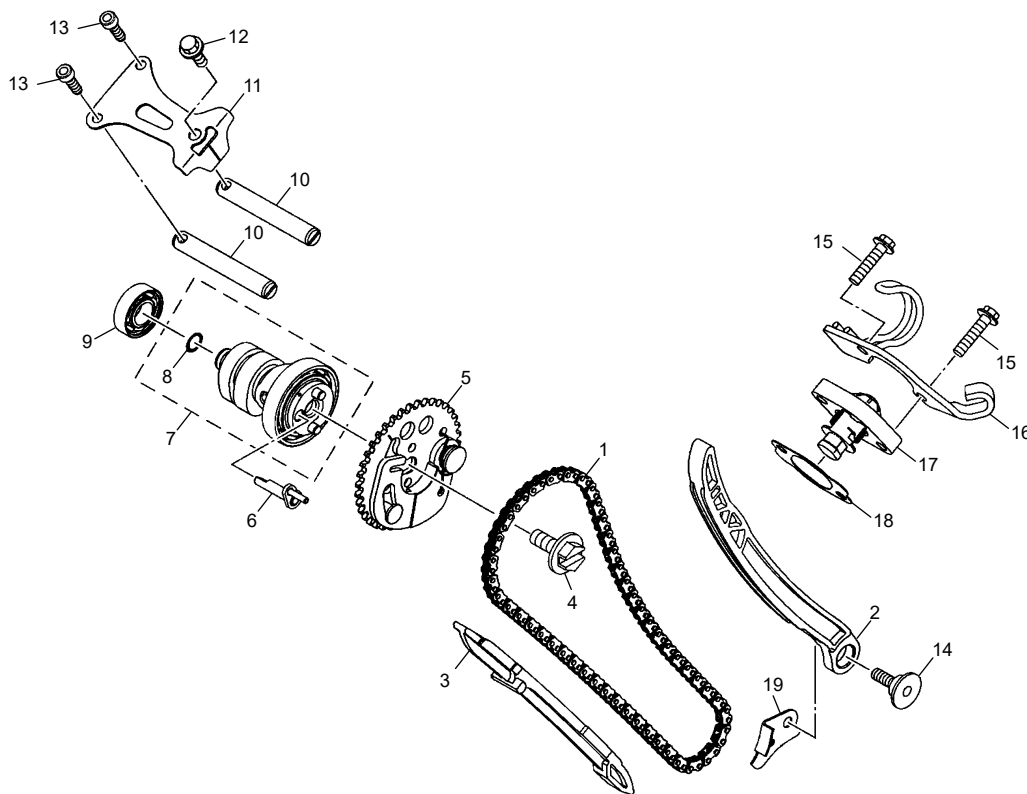


POS.	HRD-SM-FACT-RS	HRD-SE-FACT-RS	FRANÇAIS	ENGLISH	ESPAÑOL
1	11251	11251	PISTON D.52	PISTON D.52	PISTÓN D.52
2	11269	11269	KIT SEGMENTS D.52	PISTON RING SET D.52	KIT ARO D.52
3	11359	11359	AXE DE PISTON	PIN PISTON	BULON PISTÓN
4	11373	11373	CIRCLIP PISTON	CIRCLIP	CIRCLIP PISTÓN
5	11263	11263	VILEBREQUIN ASSEMBLE	CANKSHAFT ASSY	CIGÜENAL COMPLETO
6	11392	11392	CLAVETTE DEMI LUNE	KEY WOODRUFF	CHAVETA MEDIALUNA
7	11312	11312	PIGNON ENTRAINANT BALANCIER	GEAR DRIVE	PIÑÓN ENTRANAMIENTO EJE EQUILIB
8	11335	11335	ROULEMENT A BILLES VILEBREQUIN D.25X62X17	CRANKSHAFT BEARING D.25X62X17	COJINETE CIGÜENAL D.25X62X17
9	11394	11394	ECROU M10X1 H=8 CH=19	NUT HEX. M10X1 H=8 CH=19	TUERCA M10X1 H=8 CH=19
10	11399	11399	RONDELLE 10,2X28X0,8	WASHER TONGUED 10,2X28X0,8	ARANDELA 10,2X28X0,8
11	11313	11313	PIGNON BALANCIER	GEAR BALANCE WEIGHT	PIÑÓN EJE EQUILIBRA
12	11402	11402	COLLIER	COLLAR	ABRAZADERA
13	11336	11336	ROULEMENT A BILLES VILEBREQUIN D.17X40X12	CRANKSHAFT BEARING D.17X40X12	COJINETE CIGÜENAL D.17X40X12
14	11390	11390	CLAVETTE 5X5X6	KEY, STRAIGHT 5X5X6	CHAVETA 5X5X6
15	11276	11276	AXE BALANCIER	COUNTER WEIGHT SHAFT	EJE EQUILIBRA



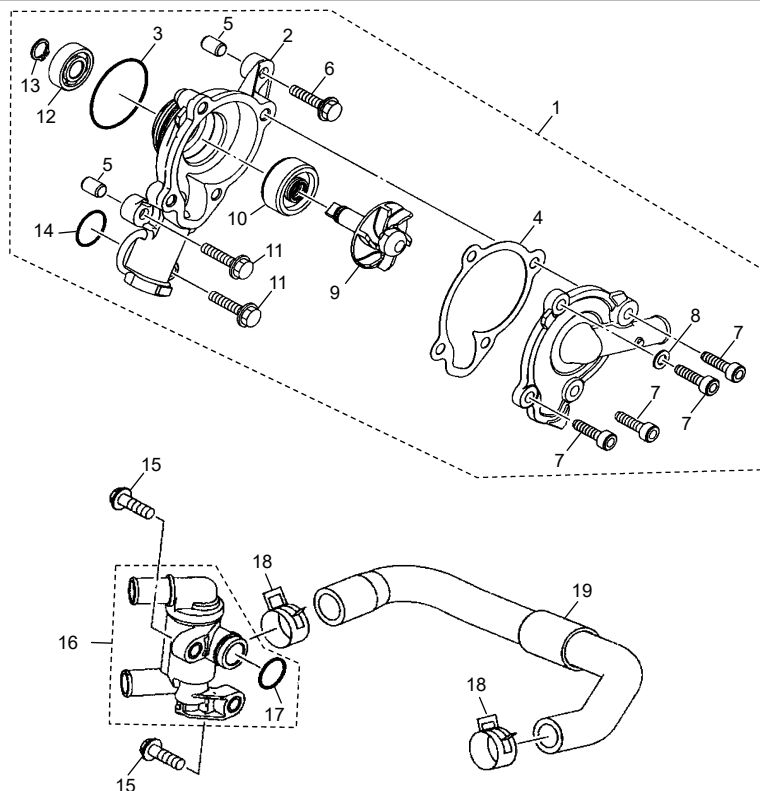
POS.	HRD-SM-FACT-RS	HRD-SE-FACT-RS	FRANÇAIS	ENGLISH	ESPAÑOL
1	11370	11370	ENSEMBLE CULBUTEUR ADMISSION	ARM ROCKER 1	CONJUNTO BALANCÍN DE ADMISIÓN
2	11371	11371	ENSEMBLE CULBUTEUR ECHAPPEMENT	ARM ROCKER 2	CONJUNTO BALANCÍN DE ESCAPE
3	11451	11451	ARBRE DE BALANCIER	SHAFT ROCKER 3	EJE BALANCÍN
4	11437	11437	RONDELLE D.21X15X2,3	WASHER 1 D.21X15X2,3	ARANDELLA D.21X15X2,3
5	11318	11318	RESSORT DECOMPRESSEUR	DECOMPRESSOR SPRING	MUELLE DE DECOMPRESOR
6	11389	11389	PLAQUE	PLATE	PLACA
7	11372	11372	BAGUE DE RESSORT	LOCK VALVE SPRING	ANILLO MUELLE
8	11294	11294	COUPELLE RESSORT SOUPAPE SUP	SEAT VALVE SPRING UPPER	RETÉNEDOR MUELLE VÁLVULA SUP
9	11317	11317	RESSORT DE SOUPAPE	INTAKE VALVE SPRING	MUELLE VÁLVULA
10	11454	11454	LARMIER SOUPAPE D.4,5X10,5X8,2	SEAL VALVE STEM OIL D.4,5X10,5X8,2	SELLO DE ACEITE VÁLVULA D.4,5X10,5X8,2
11	11293	11293	COUPELLE RESSORT SOUPAPE INF	SEAT VALVE SPRING LOWER	RETÉNEDOR MUELLE VÁLVULA INF
12	11364	11364	SOUPAPE ADMISSION	INTAKE VALVE	VÁLVULA ADMISIÓN
13	11363	11363	SOUPAPE ECHAPPEMENT	EXHAUST VALVE	VÁLVULA ESCAPE

Systeme distribution Distribution system / Sistema de distribución



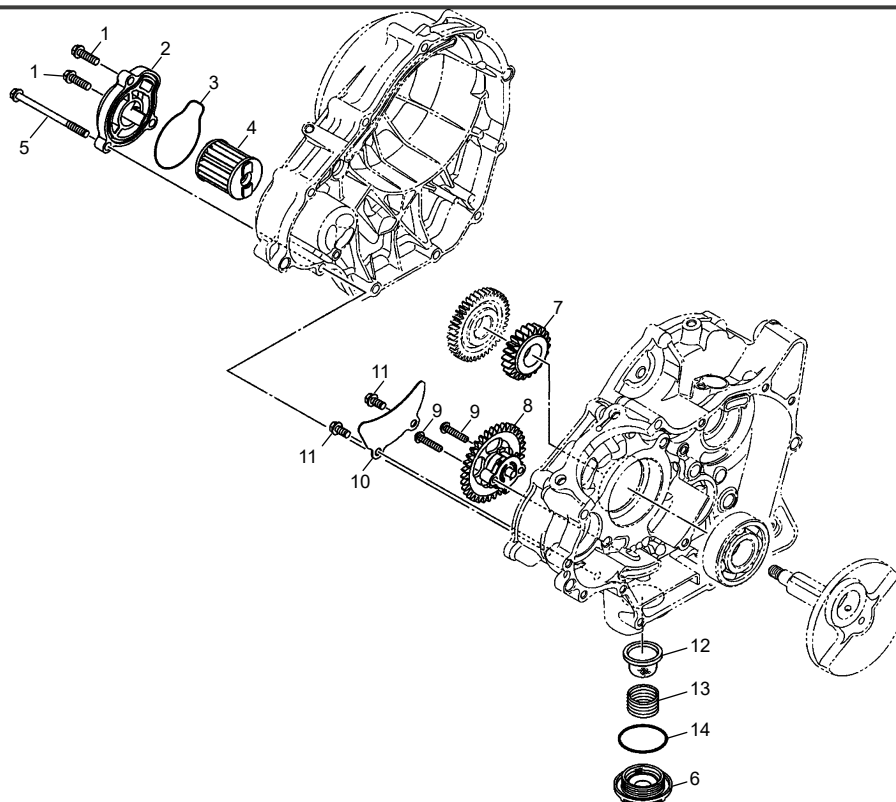
POS.	HRD-SM-FACT-RS	HRD-SE-FACT-RS	FRANÇAIS	ENGLISH	ESPAÑOL
1	11255	11255	CHAÎNE DE DISTRIBUTION	TIMING CHAIN	CADENA DITRIBUCION
2	11381	11381	PATIN TENDEUR DE CHAÎNE	GUIDE STOPPER 2	TOPE DE GUIA
3	11380	11380	PATIN GUIDE CHAÎNE	GUIDE STOPPER 1	TOPE DE GUIA
4	11410	11410	VIS M8X1,25	BOLT M8X1,25	TORNILLO M8X1,25
5	11310	11310	DECOMPRESSEUR COMPLET	DECOMPR.ASSY	DECOMPRESSOR COMPLETO
6	11360	11360	CAME POUR DECOMPRESSEUR	CAM,DECOMPR.	LEVA PARA DECOMPRESOR
7	11369	11369	ENSEMBLE ARBRE A CAME	CAMSHAFT ASSY 1	CONJUNTO ARBOL DE LEVAS
8	11345	11345	JOINT TORIQUE OR D.8,8X1,9	O-RING D.8,8X1,9	JUNTA TORICA OR D.8,8X1,9
9	11450	11450	ROULEMENT A BILLES D.12X28X8	BEARING D.12X28X8	RODAMIENTO D.12X28X8
10	11349	11349	AXE CULBUTEUR	ROCKER SHAFT	EJE DE BALANCIRES
11	11384	11384	PLAQUE	PLATE	PLACA
12	11429	11429	VIS M6X14	BOLT FLG SMALL HEAD M6X14	TORNILLO M6X14
13	11441	11441	VIS M5X16	BOLT HEX. SOCKET M5X16	TORNILLO M5X16
14	11421	11421	VIS	BOLT	TORNILLO
15	11406	11406	VIS M6X25	BOLT M6X25 FLG. DEEP RECESS	TORNILLO M6X25
16	11385	11385	PATTE MAINTIENT FAISCEAU	HOLDER CLUTCH & WIRE	PATA SUPORTE CABLE
17	11268	11268	TENDEUR DE CHAÎNE DISTRI	TIMING CHAIN TENSIONER	ENSOR DE CADENA DISTRIBUCION
18	11341	11341	JOINT TENDEUR DE CHAÎNE	GASKET TENSIONER CASE 1	JUNTA TENSOR
19	11258	11258	PROTECTION DE CHAÎNE	CHAIN PROTECTOR	PROTECTOR DE CADENA

Pompe à eau Water pump / Bomba de agua



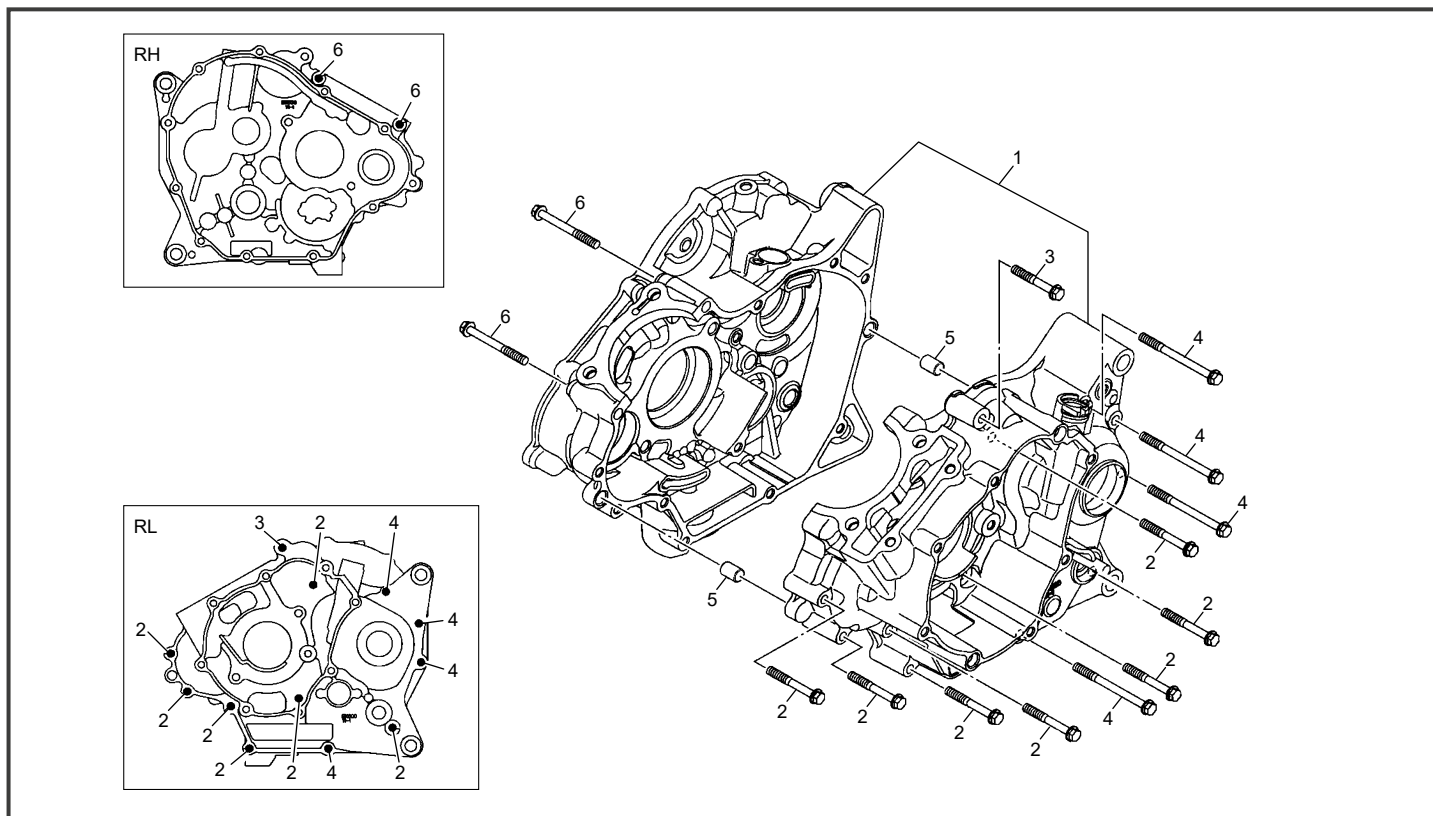
POS.	HRD-SM-FACT-RS	HRD-SE-FACT-RS	FRANÇAIS	ENGLISH	ESPAÑOL
1	11362	11362	POMPE A EAU	WATER PUMP ASSY	BOMBA DE AGUA
2	11365	11365	CACHE CULASSE CYLINDRE	COVER CYLINDER HEAD SID	TAPA CULATA LATERAL
3	11458	11458	JOINT TORIQUE	O-RING	ANILLO
4	11340	11340	JOINT CARTER POMPE A EAU	GASKET HOUSING COVER 2	JUNTA BOMBA DE AGUA
5	11351	11351	GOUPILLE GOUJON 8X12	PIN DOWEL 8X12	CASQUILLO DE CENTRAJE 8X12
6	11406	11406	VIS M6X25	BOLT M6X25 FLG. DEEP RECESS	TORNILLO M6X25
7	11438	11438	VIS M6X20	BOLT HEX. SOCKET HEAD M6X20	TORNILLO M6X20
8	11431	11431	JOINT D 6X11X1	GASKET D 6X11X1	JUNTA D 6X11X1
9	11348	11348	TURBINE DE POMPE A EAU	IMPELLER SHAFT ASSY	TURBINA DE BOMBA DE AGUA
10	11468	11468	JOINT SPI D.10X31X13,5	SEAL D.10X31X13,5	RETÉN D.10X31X13,5
11	11406	11406	VIS M6X25	BOLT M6X25 FLG. DEEP RECESS	TORNILLO M6X25
12	11448	11448	ROULEMENT A BILLES D.10X26X8	BEARING D.10X26X8	RODAMIENTO D.10X26X8
13	11374	11374	CIRCLIP	CIRCLIP	CIRCLIP
14	11460	11460	JOINT TORIQUE D. 19X2,4	O-RING D. 19X2,4	ANILLO D. 19X2,4
15	11418	11418	VIS M6X20	BOLT M6X20 FLG. DEEP RECESS	TORNILLO M6X20
16	10782	10782	CALORSTAT 125 4T MINA	CALORSTAT 125 4T MINA	CALORSTAT 125 4T MINA
17	11461	11461	JOINT TORIQUE	O-RING	ANILLO
18	11326	11326	COLLIER DE SERRAGE	COLLAR WATER PIPE	ABRAZADERA
19	11286	11286	DURITE REFROIDISSEMENT	COOLING PIPE	TUBO DE REFRIGERACION

Pompe à huile Oil pump / Bomba de aceite



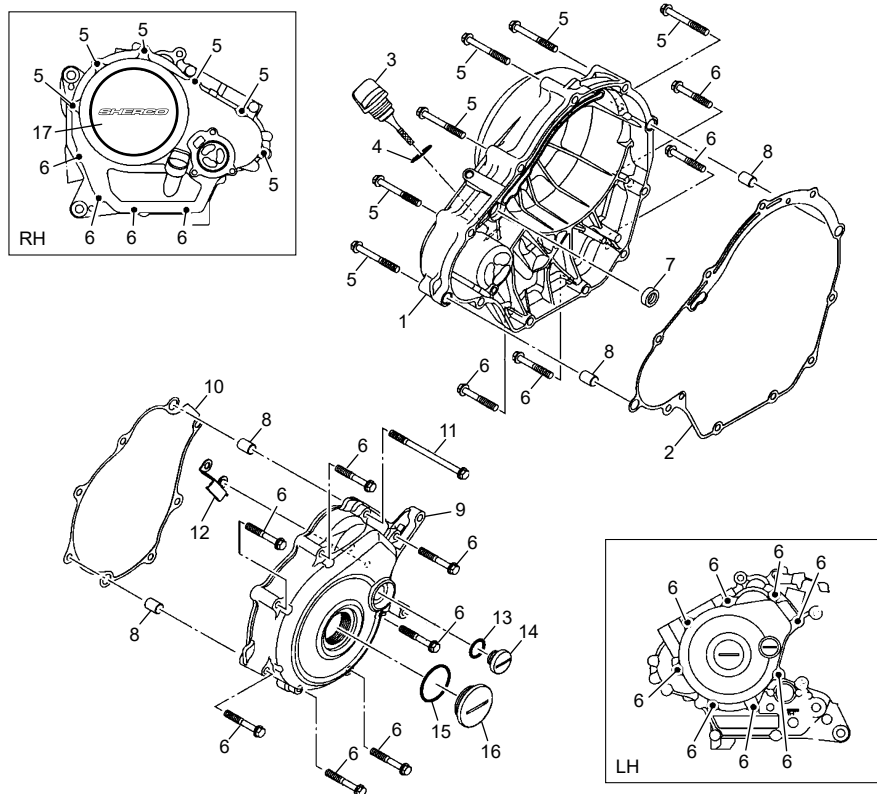
POS.	HRD-SM-FACT-RS	HRD-SE-FACT-RS	FRANÇAIS	ENGLISH	ESPAÑOL
1	11418	11418	VIS M6X20	BOLT M6X20 FLG. DEEP RECESS	TORNILLO M6X20
2	11284	11284	COUVERCLE FILTRE A HUILE	OIL FILTER COVER	TAPA FILTRO ACEITE
3	11456	11456	JOINT TORIQUE D.53,6X2,4	O-RING D.53,6X2,4	ANILLO D.53,6X2,4
4	10787	10787	FILTRE A HUILE PAPIER 125 4T MINA	OIL FILTER 125 4T MINA	FILTRO ACIETE 125 4T MINA
5	11419	11419	VIS M6X80	BOLT M6X80 FLG. DEEP RECESS	TORNILLO M6X80
6	11281	11281	BOUCHON CREPINE	PLUG DRAIN 1	TAPÓN ACEITE
7	11315	11315	PIGNON DE POMPE A HUILE	OIL PUMP GEAR DRIVE	PIÑÓN BOMBA ACEITE
8	11266	11266	POMPE A HUILE COMPLETE	OIL PUMP ASSY	BOMBA DE ACEITE
9	11413	11413	VIS M5X25	BOLT HEX.SOCKET HEAD M5X25	TORNILLO M5X25
10	11283	11283	PLAQUE POMPE A HUILE	OIL PUMP PLATE	PLACA BOMBA ACEITE
11	11407	11407	VIS M6X12	BOLT M6X12 FLG. DEEP RECESS	TORNILLO M6X12
12	11267	11267	CREPINE D'HUILE	STRAINER OIL	CREPINA ACEITE
13	11316	11316	RESSORT FILTRE A HUILE	OIL FILTER SPRING	MUELLE FILTRO ACEITE
14	11459	11459	JOINT TORIQUE D.33,7X3,5	O-RING D.33,7X3,5	ANILLO D.33,7X3,5

Carters centraux Central crankcase / Cáster central



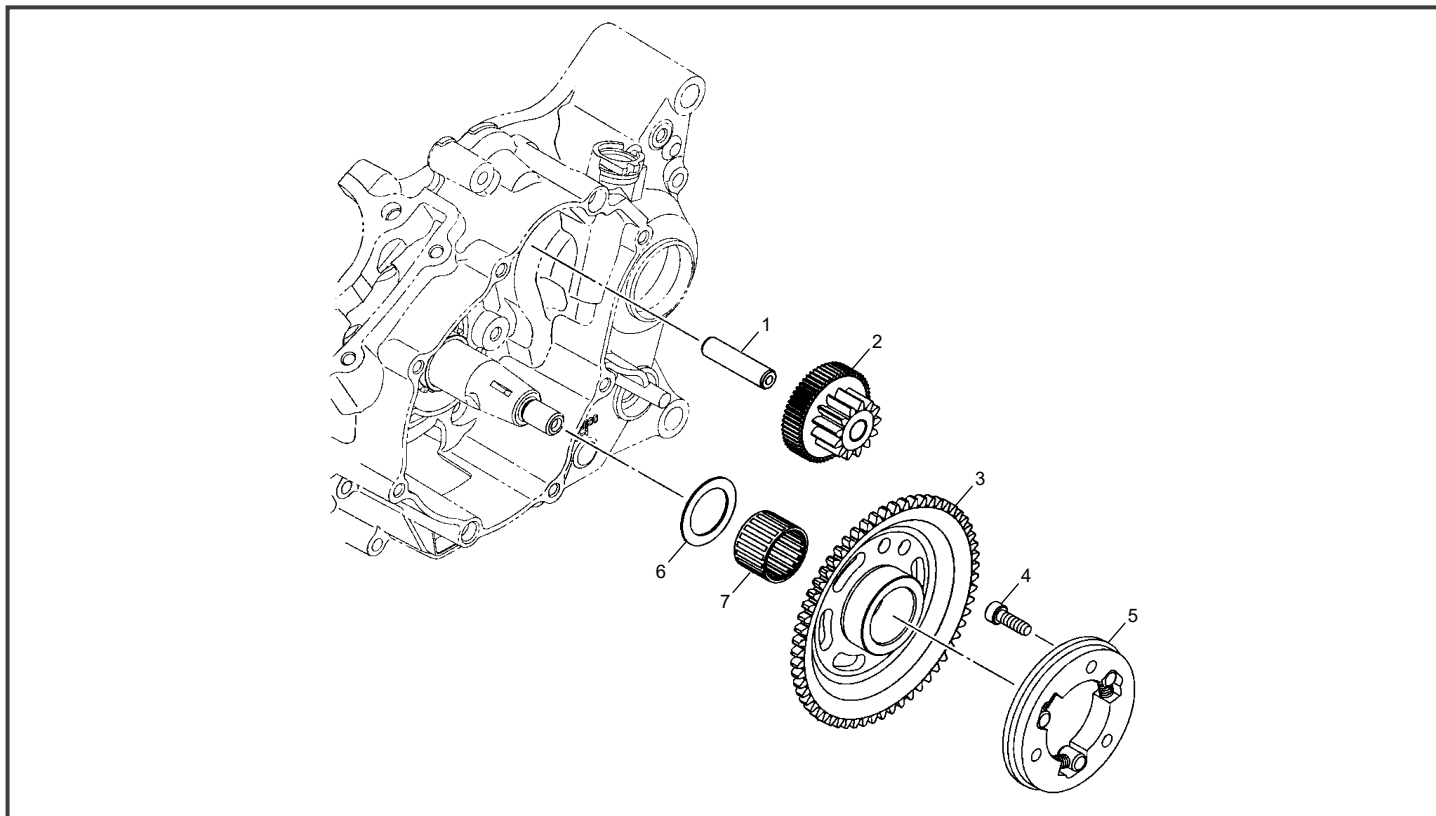
POS.	HRD-SM-FACT-RS	HRD-SE-FACT-RS	FRANÇAIS	ENGLISH	ESPAÑOL
1	11270	11270	GROUPE CARTERS CENTRAUX	CRANKCASE ASSY	JUEGO CARTERES CENTRALES
2	11414	11414	VIS M6X45	BOLT M6X45 FLG. DEEP RECESS	TORNILLO M6X45
3	11420	11420	VIS M6X40	BOLT M6X40 FLG. DEEP RECESS	TORNILLO M6X40
4	11405	11405	VIS M6X70	BOLT M6X70 FLG. DEEP RECESS	TORNILLO M6X70
5	11350	11350	DOUILLE DE CENTRAGE D.10X14-INT.D.8,5	PIN DOWEL D.10X14-INT.D.8,5	CASQUILLO DE CENTRAJE D.10X14-INT.D.8,5
6	11415	11415	VIS M6X55	BOLT M6X55 FLG. DEEP RECESS	TORNILLO M6X55

Carters lateraux Lateral crankcase / Cártel lateral

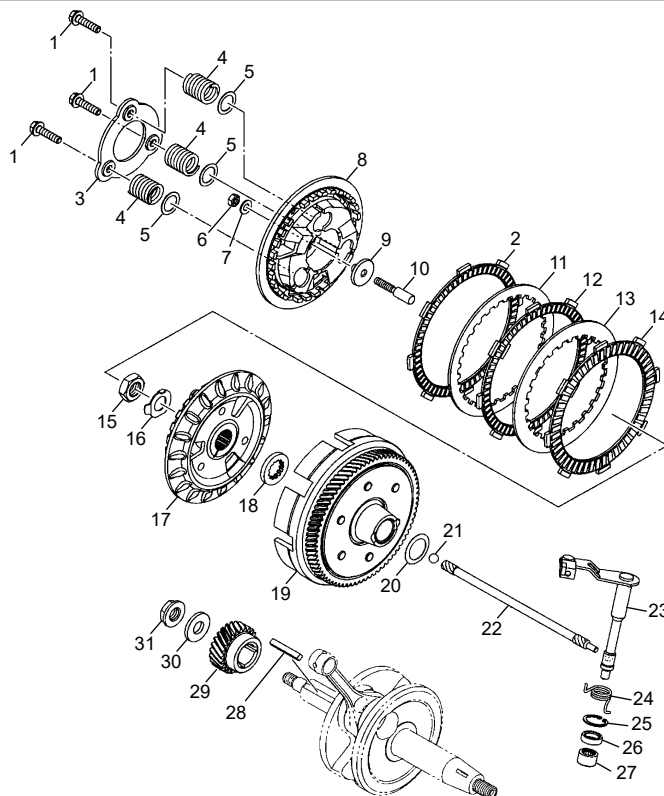


POS.	HRD-SM-FACT-RS	HRD-SE-FACT-RS	FRANÇAIS	ENGLISH	ESPAÑOL
1	11256	11256	COUVERCLE D'EMBRAYAGE	CLUTCH COVER	TAPA EMBRAGUE
2	11342	11342	JOINT COUVERCLE D'EMBRAYAGE	GASKET, CRANKCASE COVER 2	JUNTA TAPA EMBRAGUE
3	11379	11379	BOUCHON NIVEAU D HUILE	PLUG,OIL LEVEL	TAPÓN DE NIVEL ACEITE
4	11460	11460	JOINT TORIQUE D. 19X2,4	O-RING D. 19X2,4	ANILLO D. 19X2,4
5	11417	11417	VIS M6X50	BOLT M6X50 FLG. DEEP RECESS	TORNILLO M6X50
6	11420	11420	VIS M6X40	BOLT M6X40 FLG. DEEP RECESS	TORNILLO M6X40
7	11467	11467	JOINT SPI D.18X10X6	SEAL OIL D.18X10X6	RETÉN D.18X10X6
8	11350	11350	DOUILLE DE CENTRAGE D.10X14-INT.D.8,5	PIN DOWEL D.10X14-INT.D.8,5	CASQUILLO DE CENTRAJE D.10X14-INT.D.8,5
9	11257	11257	COUVERCLE D'ALLUMAGE	IGNITION COVER	TAPA ENCENDIDO
10	11343	11343	JOINT DE COUVERCLE D'ALLUMAGE	GASKET, IGNITION COVER	JUNTA DE TAPA ENCENDIDO
11	11416	11416	VIS M6X90	BOLT M6X90 FLG. DEEP RECESS	TORNILLO M6X90
12	11333	11333	PLAQUE	PLATE	PLATA
13	11457	11457	JOINT TORIQUE D.13,5X2,2	O-RING D.13,5X2,2	ANILLO D.13,5X2,2
14	11288	11288	BOUCHON 1 D'ALLUMAGE	IGNITION COVER PLUG 1	TAPÓN 1 TAPA ENCENDIDO
15	11462	11462	JOINT TORIQUE D.31,5X2,4	O-RING D.31,5X2,4	ANILLO D.31,5X2,4
16	11287	11287	BOUCHON 2 D'ALLUMAGE	IGNITION COVER PLUG 2	TAPÓN 2 TAPA ENCENDIDO
17	11758	11758	ADH COUVERCLE EMBRAYAGE 125 4T SHERCO	CLUTCH COVER STICKER 125 4T SHERCO	ADH TAPA EMBRAGUE 125 4T SHERCO

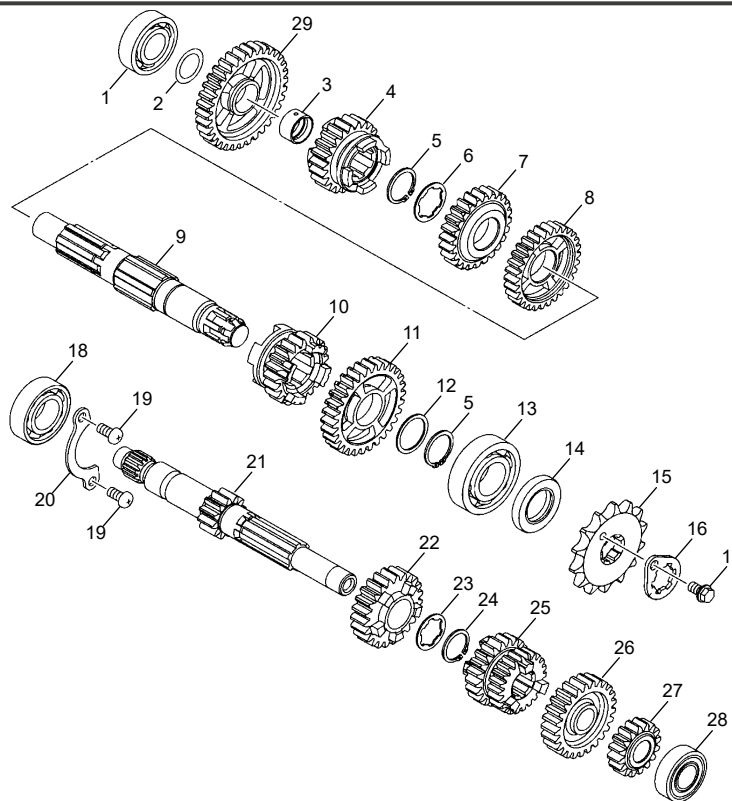
Démarrreur Starter motor / Motor de arranque



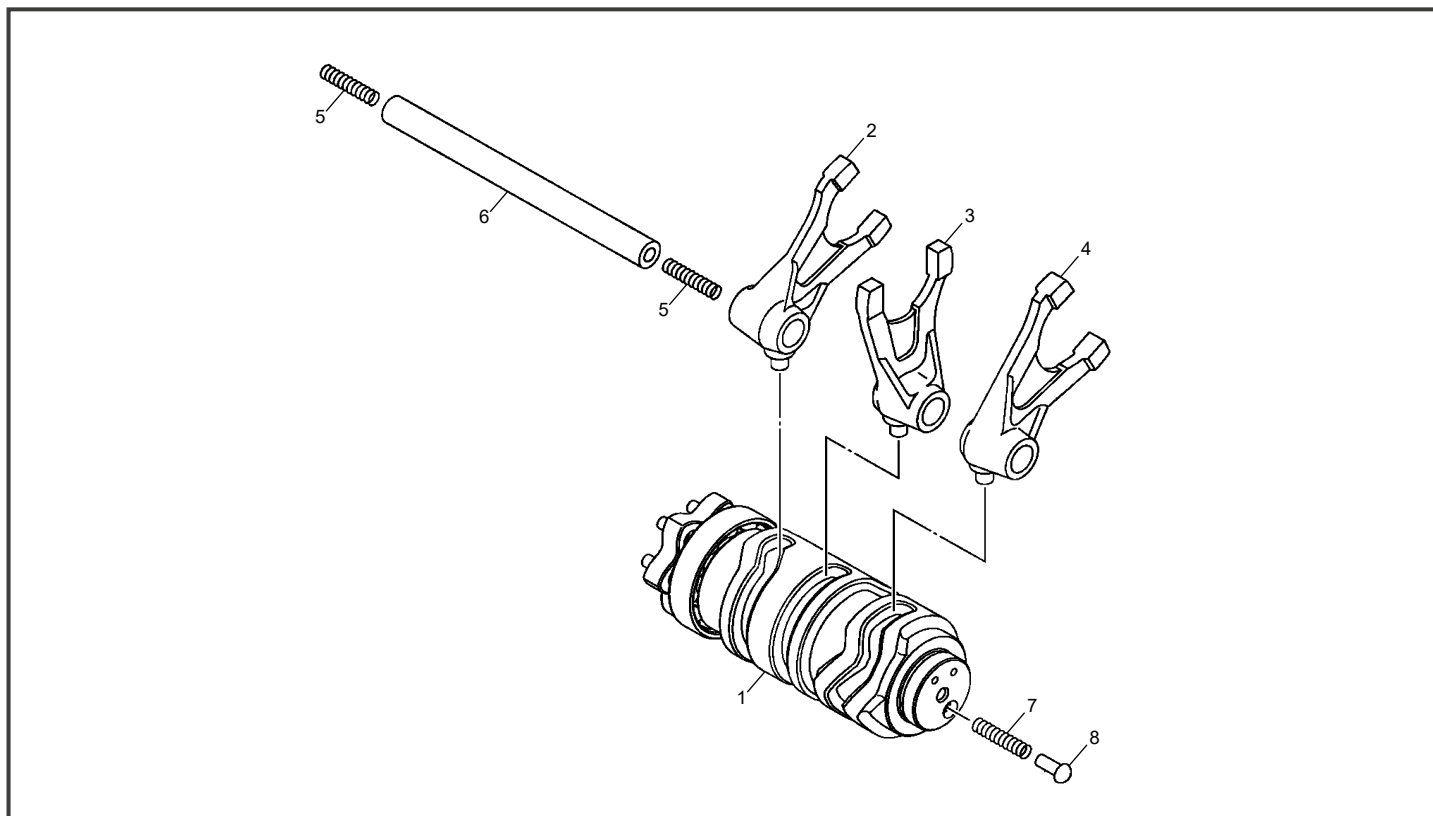
POS.	HRD-SM-FACT-RS	HRD-SE-FACT-RS	FRANÇAIS	ENGLISH	ESPAÑOL
1	11352	11352	AXE DE PIGNON INTERMEDIAIRE	SHAFT,1	EJE DE ENGRANAJE INTERMEDIO
2	11309	11309	PIGNON INTERMDIAIRE DEMARREUR	INTERMEDIARY GEAR E-STARTER	PIÑÓN INTERMEDIO MOTOR DE ARRANQUE
3	11311	11311	PIGNON DE ROUE LIBRE DEMARREUR	WHEEL STARTER	PIÑÓN RUEDA LIBRE DE ARRANQUE
4	11444	11444	VIS M6X20	BOLT,HEX.SOCKET M6X20	TORNILLO M6X20
5	11314	11314	ROUE LIBRE COMPLETE	STARTER ONE-WAY ASSY	RUEDA LIBRE COMPLETE
6	11428	11428	RONDELLE D.25,2X36X1	WASHER PLAIN D.25,2X36X1	ARANDELA D.25,2X36X1
7	11334	11334	CAGE A AIGUILLE D.30X25X19,8	NEEDLE BEARING D.30X25X19,8	JAULA AGUJAS D.30X25X19,8



POS.	HRD-SM-FACT-RS	HRD-SE-FACT-RS	FRANÇAIS	ENGLISH	ESPAÑOL
1	11404	11404	RESSORT DE VIS	SCREW SPRING	MUELLE TORNILLO
2	10774	10774	DISQUE GARNI 3552 125 4T MINA	PLATE FRICTION 3552 125 4T MINA	PLACA FRICCION 3552 125 4T MINA
3	11387	11387	PLAQUE DE PRESSION EMBRAYAGE	PLATE PRESSURE 2	PLACA PRESSION EMBRAGUE
4	11324	11324	RESSORT D'EMBRAYAGE	SPRING CLUTCH 1	MUELLE EMBRAGUE
5	11346	11346	RONDELLE D.25,5X2,4	WASHER D.25,5X2,4	ARANDELA D.25,5X2,4
6	11409	11409	ECROU	NUT	TUERCA
7	11434	11434	RONDELLE	WASHER	ARANDELLA
8	11296	11296	PLATEAU PRESSEUR	PRESSURE PLATE	PLATO DE PRESSION
9	11290	11290	BUTEE D'EMBRAYAGE	CLUTCH PUSHING PLATE	TOPE PLATO DE PRESSION
10	11356	11356	TIGE EMBRAYAGE	ROD,PUSH 1	VARILLE EMBRAGUE
11	10775	10775	DISQUE LISSE 3540 125 4T MINA	PLATE FRICTION 3540 125 4T MINA	PLACA FRICCION 3540 125 4T MINA
12	10776	10776	DISQUE GARNI 3553 125 4T MINA	PLATE FRICTION 3553 125 4T MINA	PLACA FRICCION 3553 125 4T MINA
13	10777	10777	DISQUE LISSE 3541 125 4T MINA	PLATE FRICTION 3541 125 4T MINA	PLACA FRICCION 3541 125 4T MINA
14	10778	10778	DISQUE GARNI 3550 125 4T MINA	PLATE FRICTION 3550 125 4T MINA	PLACA FRICCION 3550 125 4T MINA
15	11393	11393	ECROU M14X1 H=8 CH=22	NUT M14X1 H=8 CH=22	TUERCA M14X1 H=8 CH=22
16	11401	11401	RONDELLE D.26X14X1	WASHER TONGUED D.26X14X1	ARANDELA D.26X14X1
17	11298	11298	NOIX D'EMBRAYAGE	BOSS CLUTCH	MAZA EMBRAGUE
18	11396	11396	RONDELLE FRICTION	PLATE THRUST 1	PACA DE EMPUJE
19	11289	11289	CLOCHE D'EMBRAYAGE	CLUTCH BASKET ASSY	CAMPANA EMBRAGUE
20	11424	11424	RESSORT DE RONDELLE D.20X28,5X0,3	WASHER CONICAL SPRING D.20X28,5X0,3	MUELLE ARANDELA D.20X28,5X0,3
21	11339	11339	BILLE TIGE EMBRAYAGE	BALL	BOLA VARILLA EMBRAGUE
22	11358	11358	TIGE DE POUSSEE	PUSH ROD	EMPURADOR DE VARILLA
23	11264	11264	LEVIER D'EMBRAYAGE	PUSH LEVER ASSY	PALANCE DE EMBRAGUE
24	11322	11322	RESSORT DE RAPPEL COMMANDE D'EMBRAYAGE	SPRING LEVER RETURN	MUELLE LEVA EMBRAGUE
25	Y703	Y703	CIRCLIP	CIRCLIP	PRESILLA RONDADA
26	9152	9152	JOINT SPI	OIL SEAL	SELLO ACEITE
27	11330	11330	CAGE A AIGUILLE D.12X16X10	NEEDLE BEARING D.12X16X10	JAULA AGUJAS D.12X16X10
28	11391	11391	CLAVETTE 5X5X33	KEY, FEATHER 5X5X33	CHAVETA 5X5X33
29	11297	11297	PIGNON 24 DTS	GEAR PRIMARY DRIVE Z24	PIÑÓN Z24
30	11427	11427	RONDELLE D.12X27X3	WASHER PLAIN D.12X27X3	ARANDELA D.12X27X3
31	11408	11408	ECROU	NUT	TUERCA

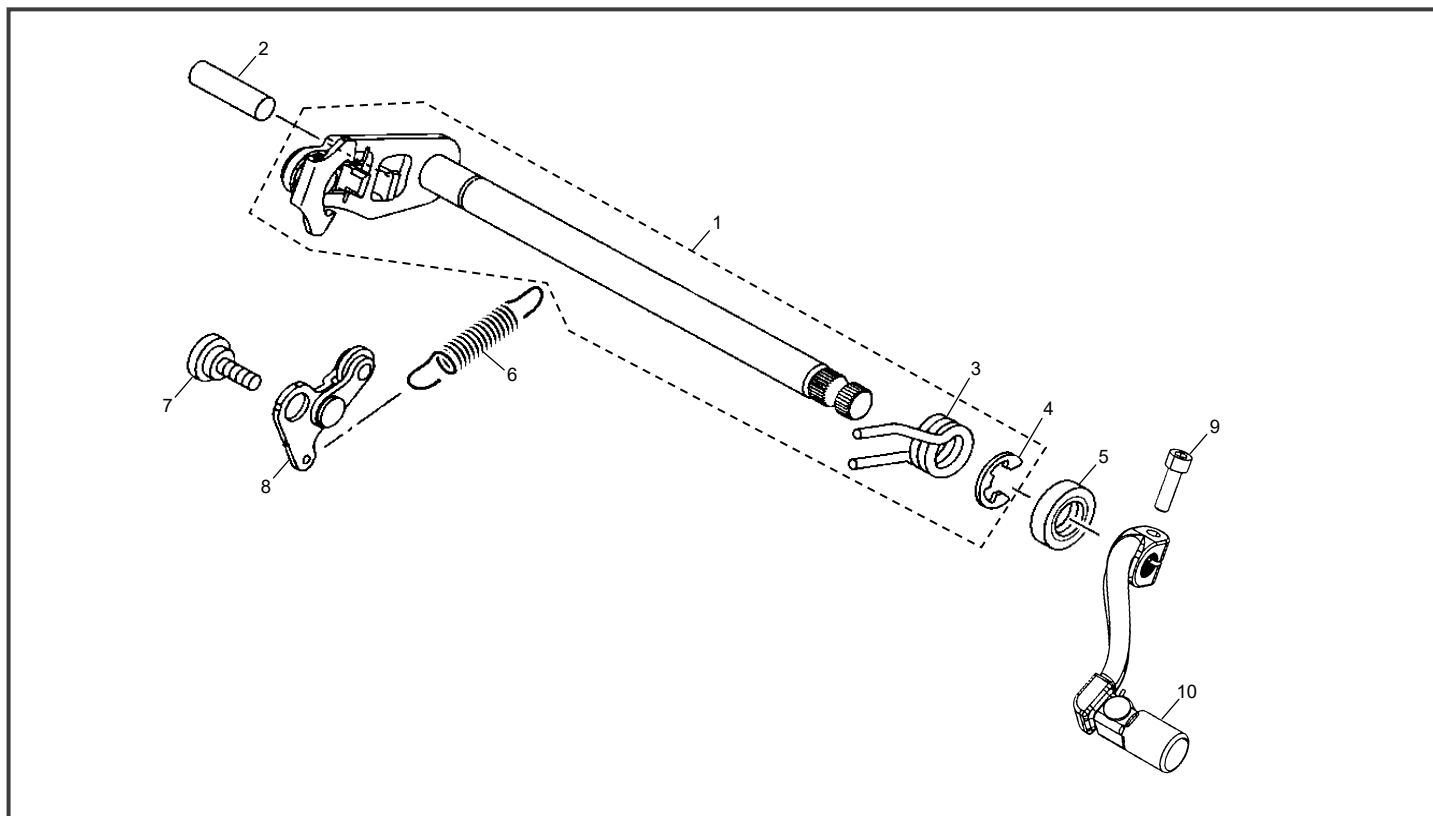


POS.	HRD-SM-FACT-RS	HRD-SE-FACT-RS	FRANÇAIS	ENGLISH	ESPAÑOL
1	11338	11338	ROULEMENT A BILLES VILEBREQUIN D.17X40X12	CRANKSHAFT BEARING D.17X40X12	COJINETE CIGÜENAL D.17X40X12
2	11423	11423	RONDELLE	WASHER PLAIN	ARANDELA
3	11332	11332	COLLIER ARBRE SECONDAIRE	SECONDARY SHAFT COLLAR	ABRAZADERA DE EJE SECUNDARIO
4	11307	11307	PIGNION 5 ARBRE SECONDAIRE	GEAR 5TH PINION, SECONDARY SHAFT	PIÑÓN 5 EJE SEGUNDARIO
5	11375	11375	CIRCLIP	CIRCLIP	CIRCLIP
6	11425	11425	RONDELLE	WASHER	ARANDELA
7	11306	11306	PIGNION 4 ARBRE SECONDAIRE	GEAR 4TH PINION, SECONDARY SHAFT	PIÑÓN 4 EJE SEGUNDARIO
8	11305	11305	PIGNION 3 ARBRE SECONDAIRE	GEAR 3RD PINION, SECONDARY SAFT	PIÑÓN 3 EJE SEGUNDARIO
9	11274	11274	ARBRE SECONDAIRE	DRIVE SHAFT	EJE SECUNDARIO
10	11308	11308	PIGNION 6 ARBRE SECONDAIRE	GEAR 6TH PINION, SECONDARY SHAFT	PIÑÓN 6 EJE SEGUNDARIO
11	11304	11304	PIGNION 2 ARBRE SECONDAIRE	GEAR 2ND PINION, SECONDARY SHAFT	PIÑÓN 2 EJE SEGUNDARIO
12	11422	11422	RONDELLE PLATE	WASHER PLATE	ARANDELA PLANA
13	11449	11449	ROULEMENT A BILLES D. 22X50X14	BEARING D. 22X50X14	RODAMIENTO D. 22X50X14
14	11466	11466	JOINT SPI D.38X21X6	SEAL OIL D.38X21X6	RETÉN D.38X21X6
15	11526	11526	PIGNON SORTIE DE BOITE 125 4T Z14	SPROCKET DRIVE 125 4T Z14	PIÑÓN Z14 125 4T Z14
16	11291	11291	RONDELLE PIGNON SORTIE DE BOITE	DRIVE SPROCKET HOLDER	ARANDELA BLOCAJE PIÑÓN CADENA
17	11411	11411	VIS M6X10	BOLT M6X10 FLG. DEEP RECESS	TORNILLO M6X10
18	11337	11337	ROULEMENT A BILLES VILEBREQUIN D.20X42X12	CRANKSHAFT BEARING D.20X42X12	COJINETE CIGÜENAL D.20X42X12
19	11433	11433	VIS M6X12	BOLT HEX.SOCKET M6X12	TORNILLO M6X12
20	11386	11386	PLAQUE DE BUTEE	PLATE COVER	PLACA DE CUBIERTA
21	11273	11273	ARBRE PRIMAIRE	PRIMARY SHAFT	EJE PRIMARIO
22	11301	11301	PIGNION 5 ARBRE PRIMAIRE	GEAR 5TH PINION, PRIMARY SHAFT	PIÑÓN 5 EJE PRIMARIO
23	11426	11426	RONDELLE	WASHER	ARANDELA
24	11377	11377	CIRCLIP	CIRCLIP	CIRCLIP
25	11300	11300	PIGNION 3 ARBRE PRIMAIRE	GEAR 3RD PINION, PRIMARY SHAFT	PIÑÓN 3 EJE PRIMARIO
26	11302	11302	PIGNION 6 ARBRE PRIMAIRE	GEAR 6TH PINION, PRIMARY SHAFT	PIÑÓN 6 EJE PRIMARIO
27	11299	11299	PIGNION 2 ARBRE PRIMAIRE	GEAR 2ND PINION, PRIMARY SHAFT	PIÑÓN 2 EJE PRIMARIO
28	11329	11329	ROULEMENT A BILLES D.15X35X11	BEARING D.15X35X11	COJINETE D.15X35X11
29	11303	11303	PIGNION 1 ARBRE SECONDAIRE	GEAR 1ST PINION, SECONDARY SHAFT	PIÑÓN 1 EJE SEGUNDARIO



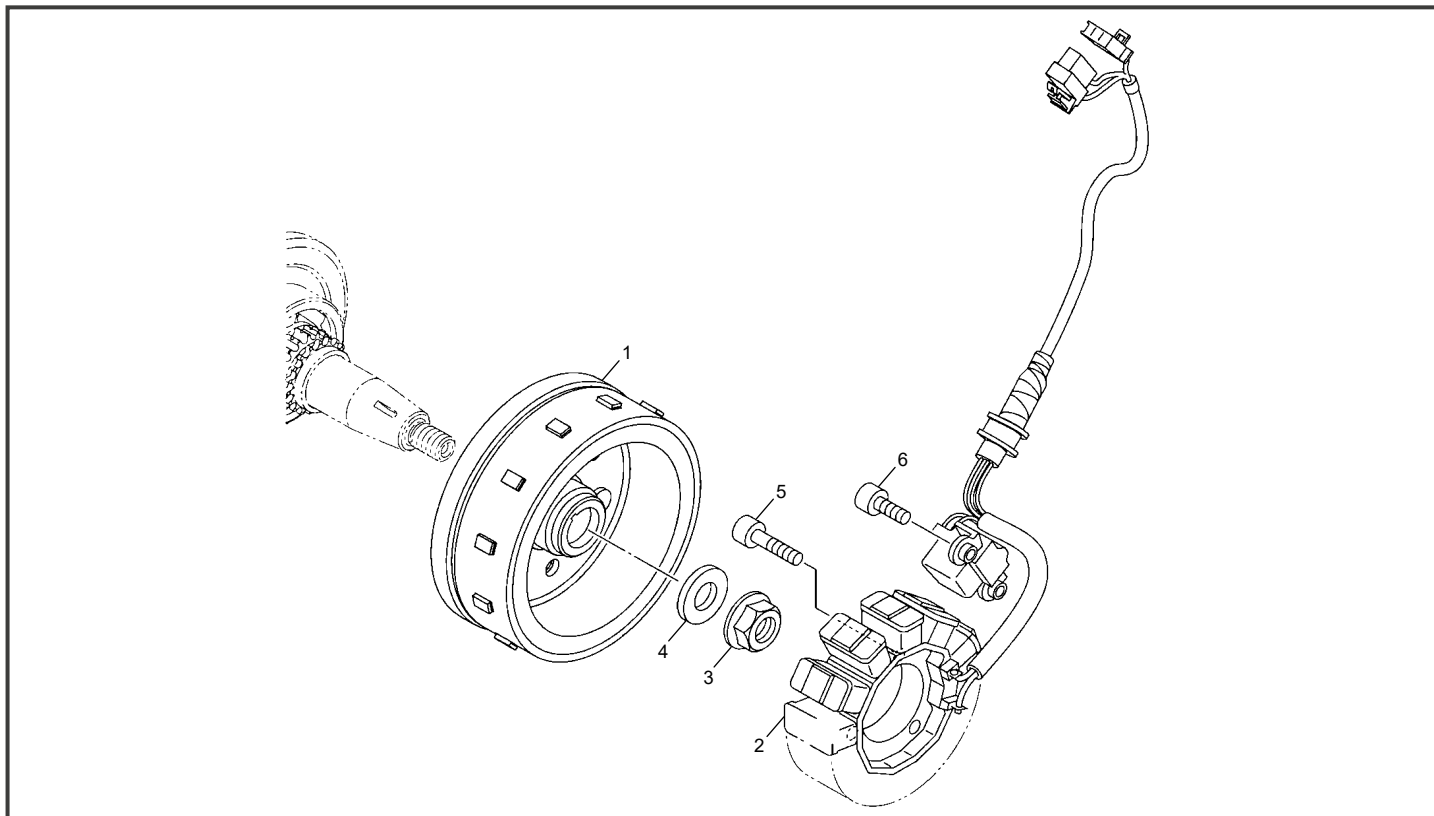
POS.	HRD-SM-FACT-RS	HRD-SE-FACT-RS	FRANÇAIS	ENGLISH	ESPAÑOL
1	11253	11253	BARILLET DE SELECTION	SHIFT CAM ASSY	DESMODRONICO SELECTOR
2	11262	11262	FOURCHETTE 3	FORK SHIFT 3	HORQUILLA 3
3	11261	11261	FOURCHETTE 2	FORK SHIFT 2	HORQUILLA 2
4	11260	11260	FOURCHETTE 1	FORK SHIFT 1	HORQUILLA 1
5	11321	11321	RESSORT D'AXE DE FOURCHETTE	SPRING COMPRESSION	MUELLE EJE DE HORQUILLA
6	11353	11353	AXE DE FOURCHETTE	BAR SHIFT FORK GUIDE 1	EJE HORQUILLA
7	11319	11319	RESSORT BARILLET DE SELECTION	SELECTOR DRUM SPRING	MUELLE DESMODRONICO
8	11354	11354	INDICATEUR SELECTION	POINT	INDICADOR DE SELECCIÓN

Sélecteur Gear selector group / Selector cambio



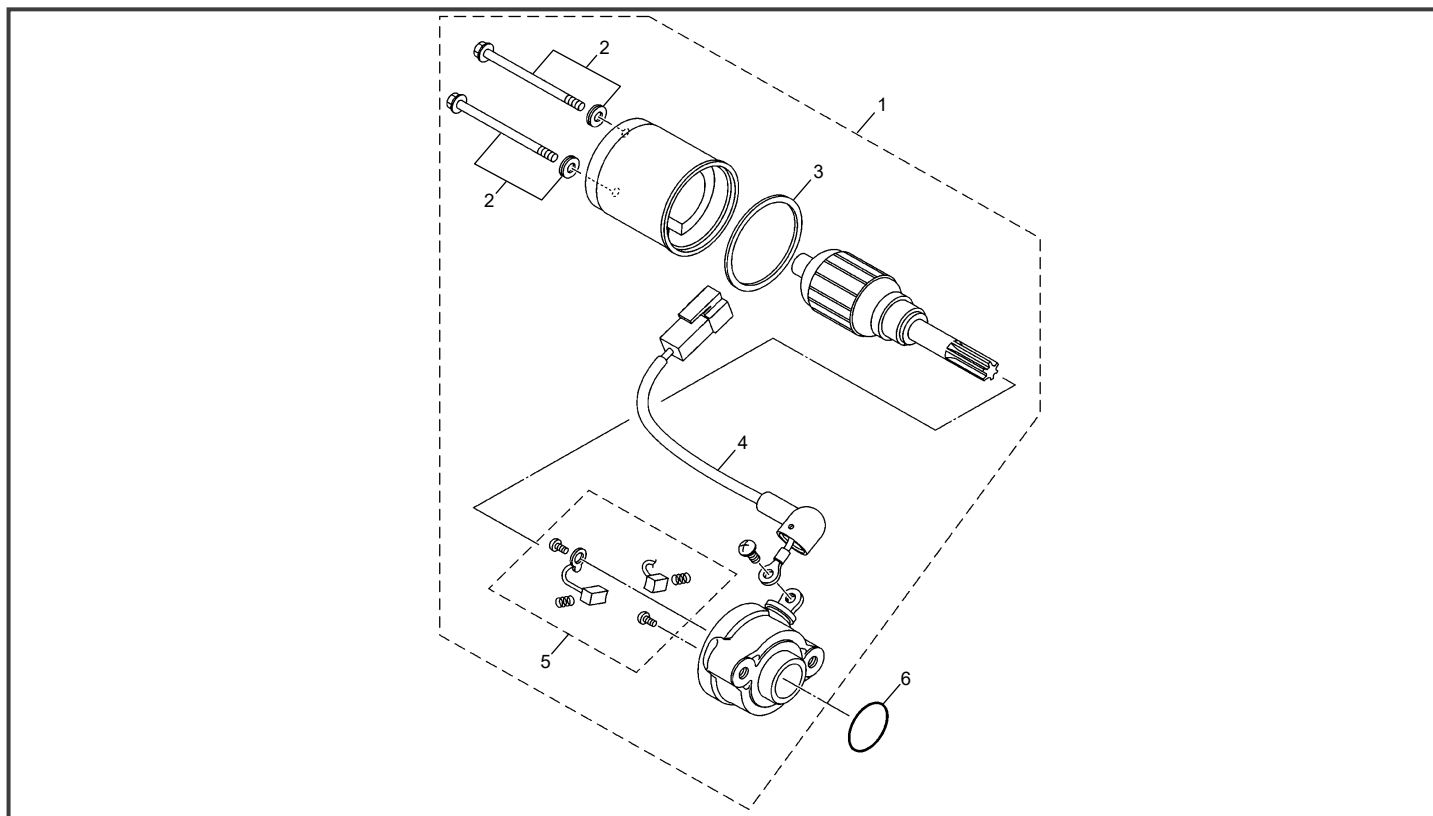
POS.	HRD-SM-FACT-RS	HRD-SE-FACT-RS	FRANÇAIS	ENGLISH	ESPAÑOL
1	11275	11275	ABRE DE SELECTION	SHIFT SHAFT ASSY	EJE SELECTOR
2	11357	11357	GOUPIILLE GOUJON	PIN,DOWEL	PASADOR
3	11320	11320	RESSORT RAPPEL AXE SELECTEUR	SPRG., TORSION	MUELLE EJE SELECTOR
4	11376	11376	CIRCLIP	CIRCLIP	CIRCLIP
5	11347	11347	JOINT SPI D.12X22X5	SEAL OIL D.12X22X5	SELLO ACEITE D.12X22X5
6	11323	11323	RESSORT DE SELECTEUR	SPRING	MUELLE DE SELECTOR
7	11403	11403	VIS M6X1	BOLT M6X1	TORNILLO M6X1
8	11292	11292	DOIGT DE VERROUILLAGE	INDEX LEVER ASSY	PALANCA CIERRE SELECTOR
9	M252	M252	VIS CHC 6 X 20 0084 ZN NI TR PRE IMPREGNEE MOYEN	SCREW CHC 6 X 20 ZN NI TR PRE IMPREGNEE MOYEN	TORNILLO 6 X 20 DIN 912 ZN NI TR PRE IMPREGNEE MOYEN
10	2739	2739	SELECTEUR 125	SHIFT LEVER ASSY 125	SELECTOR 125

Ensemble allumage Ignition system / Sistema de encendido



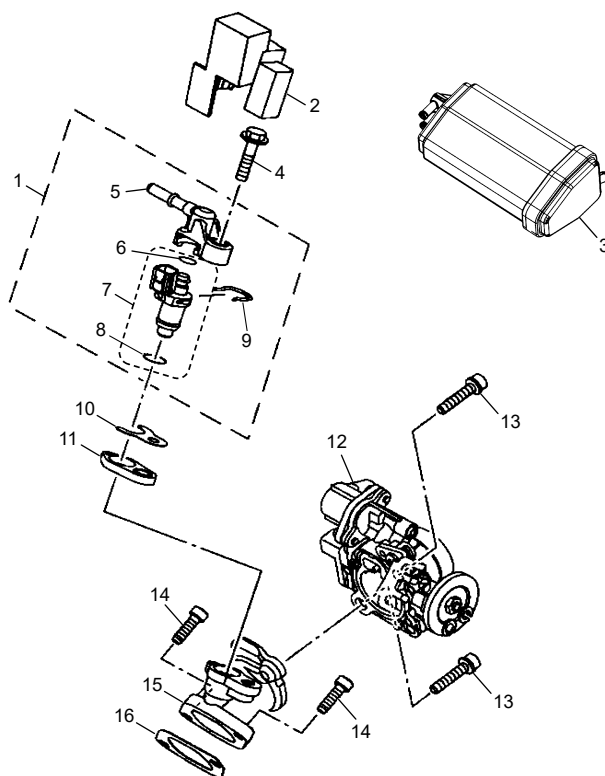
POS.	HRD-SM-FACT-RS	HRD-SE-FACT-RS	FRANÇAIS	ENGLISH	ESPAÑOL
1	11272	11272	ROTOR	ROTOR ASSY	ROTOR
2	11271	11271	STATOR	STATOR ASSY	STATOR
3	11395	11395	ECROU M12X1,25X11	NUT FLG. M12X1,25X11	TUERCA M12X1,25X11
4	11427	11427	RONDELLE D.12X27X3	WASHER PLAIN D.12X27X3	ARANDELA D.12X27X3
5	11447	11447	VIS M6X25	BOLT,HEX.SOCKET M6X25	TORNILLO M6X25
6	11445	11445	VIS M6X16	BOLT,HEX.SOCKET HEAD M6X16	TORNILLO M6X16

Démarrreur Starter motor / Motor de arranque



POS.	HRD-SM-FACT-RS	HRD-SE-FACT-RS	FRANÇAIS	ENGLISH	ESPAÑOL
1	11250	11250	DEMARREUR ASSEMBLE	STARTING MOTOR ASSY	MOTOR DE ARRANQUE
2	11325	11325	VIS POUR DEMARREUR	STARTER SCREW	TORNILLO DE ARRANQUE
3	11367	11367	JOINT	GASKET	JUNTA
4	11259	11259	CABLE DEMARREUR	STARTING MOTOR CABLE	CABLE MOTOR DE ARRANQUE
5	11366	11366	KIT CHARBONS	BRUSH SET	CARBONES DE ARRANQUE
6	11346	11346	JOINT TORIQUE OR D.25,5X2,4	O-RING D.25,5X2,4	JUNTA TORICA OR D.25,5X2,4

Corps d'injection Injector body / Cuerpo de inyección



POS.	HRD-SM-FACT-RS	HRD-SE-FACT-RS	FRANÇAIS	ENGLISH	ESPAÑOL
1	11279	11279	INJECTEUR COMPLET	INJECTOR ASSY	INYECTOR COMPLETO
2	11383	11383	CACHE D'INJECTEUR	CAP/INJECTOR	PROTECCION INYECTOR
3	11295	11295	CANISTER	CANISTER ASSY	CANISTER
4	11432	11432	VIS M6X30	BOLT FLG M6X30	TORNILLO M6X30
5	11285	11285	CONNECTEUR INJECTEUR	INJECTOR CONNECTOR	CONNECTOR INYECTOR
6	11453	11453	JOINT TORIQUE	O-RING	ANILLO
7	11280	11280	INJECTEUR	INJECTOR	INYECTOR
8	11344	11344	JOINT TORIQUE	O-RING	JUNTA TORICA
9	11328	11328	CLIP D'ARRET INJECTEUR	CLIP	CLIP PARADA INYECTOR
10	11465	11465	JOINT	GASKET	JUNTA
11	11398	11398	ENTRETOISE	SPACER	ESPACIADOR
12	11248	11248	CORPS D'INJECTION COMPLET	THROTTLE BODY ASSY	CUERPO INYECTION COMPLETO
13	11442	11442	VIS M6X30	BOLT HEX. SOCKET M6X30	TORNILLO M6X30
14	11438	11438	VIS M6X20	BOLT HEX. SOCKET HEAD M6X20	TORNILLO M6X20
15	11265	11265	COLLECTEUR ADMISSION	INTAKE PIPE	TUBO DE ADMISSION
16	11463	11463	JOINT	GASKET	JUNTA

SHERCO



WWW.SHERCO.COM

MOTUL

KENNY

AirOh
HELMET

GAERNE

KYB
... Technical Touch

MICHELIN

Polisport
Performance Parts

VERTEX
PISTON & POWER

WUP

GALFER

AX
RACING

UNIRACING

RENTRAL

BUD
RACING

FACTORY LINKS
OFF-ROAD SERIES

AFAM

SCOTT

HEXIS

BS
RACING

OXFLIGHT

AKRAPOVIČ

created by www.ciandisseny.com